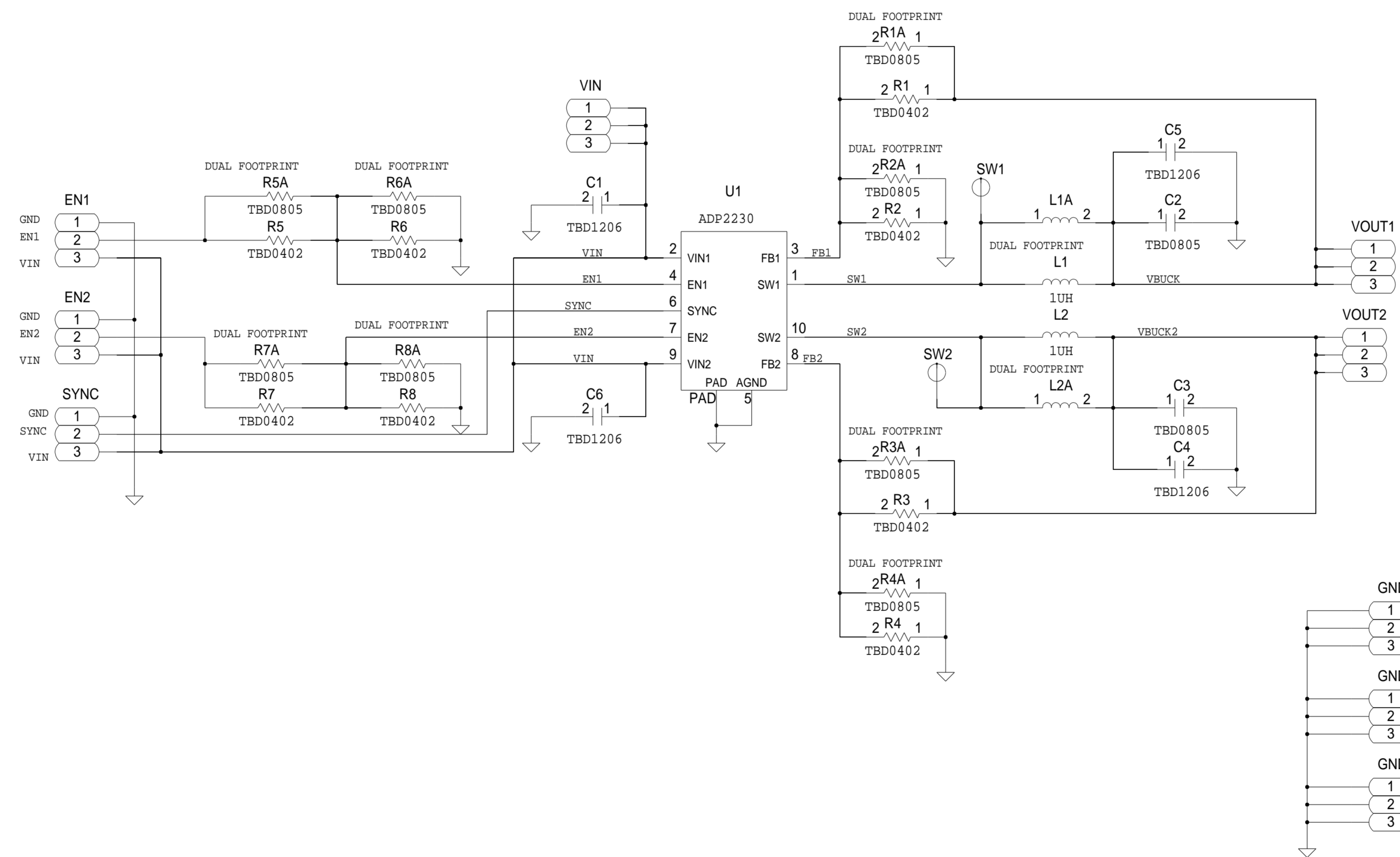


REVISIONS			
REV	DESCRIPTION	DATE	APPROVED



<p>THIS DRAWING IS THE PROPERTY OF ANALOG DEVICES INC. IT IS NOT TO BE REPRODUCED OR COPIED, IN WHOLE OR IN PART, OR USED IN FURNISHING INFORMATION TO OTHERS, OR FOR ANY OTHER PURPOSE DETRIMENTAL TO THE INTERESTS OF ANALOG DEVICES. THE EQUIPMENT SHOWN HEREON MAY BE PROTECTED BY PATENTS OWNED OR CONTROLLED BY ANALOG DEVICES.</p>	SCHEMATIC		
	<DRAWING_TITLE_HEADER> ADP2230 EVAL <PRODUCT_1>		
	DESIGN VIEW <DESIGN_VIEW>	DRAWING NO. ADP2230 EVAL	REV 7
	PTD ENGINEER LAUREN MACMATH	SIZE D	SCALE NA

SHEET 1 OF 1