



LAYOUT SHOWN AS EXAMPLE

Keying Shown as example

**CHARACTERISTICS**

- Standard : Based on MIL-DTL-38999 Series III
- Shell Material : Stainless Steel
- Shell Plating : Passivated
- Insulator : Thermoplastic
- Contacts : Copper Alloy
- Seals & Grommet : Silicon Elastomer
- Contact Plating : Gold over copper Alloy 0.8µm minimum
- Durability : 500 Mating cycles
- Delivered without Souriau contacts
- Temperature Range : -65°C to +200°C
- Salt Spray : 500 hours

Connector dimension	
Dim	Nominal
A	58.7±0.3
B	42.85+0.1/-0.15
R	32.5Max
S	55.6±0.4
W	3+0.9/-0.1
VV THREAD	M37x1-6g

SOURIAU shall not be liable for any non-conformity or damage due to a use of the Products which does not comply with the Specifications issued by either of the Parties or by a third party (professional recommendation, technical notice.)

Country	Jurisdiction & Control List
FR	Not Listed

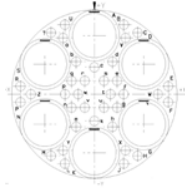
**PN: 8D725K17SEL**

A	03-10-2016	First Release	
ISS	DATE	Latest modification - by	MOD N°
Designed By:		Date:	<b>CUSTOMER DRAWING</b>
<b>TITLE</b>	<b>Stainless Steel Receptacle 8D series</b>		
SCALE		General linear Tolerances: ±--	NPRDS / PROJECT <b>859</b>
NA	<b>SOURIAU</b> <a href="http://WWW.SOURIAU.COM">WWW.SOURIAU.COM</a>		This document is the property of SOURIAU it must not be reproduced or communicated without permission
FORMAT	<b>A3</b>		<b>SOURIAU DRG N° 8D725K17SEL-C</b> SHEET 1/2

BASIC SERIES:	8D	7	-	25	K	17	S	E	L	Delivered W/O Contacts
SHELL TYPE :	Jam nut Receptacle									ORIENTATION : E
CONTACT TYPE :	Standard Crimp Contact									CONTACT TYPE : SOCKET(500 Matings)
SHELL SIZE :	25									CONTACT LAYOUT : 25-17
PLATING :	K = Passivated									

Contact Layout

17

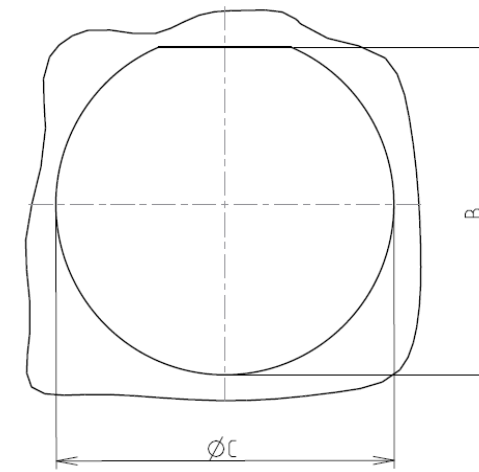


36#22D  
6#8 Triax

25-17					
Ctc	X	Y	Ctc	X	Y
A	0	11.1	Y	-6.02	-10.64
B	5.69	13.16	Z	-12.24	0
C	8.36	11.66	a	-6.02	10.64
D	9.52	5.71	b	-3.5	6.17
E	14.25	1.52	c	0	5.08
F	14.25	-1.52	d	3.5	6.17
G	9.52	-5.71	e	4.59	2.54
H	8.36	-11.66	f	5.66	0
J	5.69	-13.16	g	4.39	-2.54
K	0	-11.1	h	3.5	-6.17
L	-5.69	-13.16	j	0	-5.08
M	-8.36	-11.66	k	-3.5	-6.17
N	-9.52	-5.71	m	-4.39	-2.54
P	-14.25	-1.52	n	-5.66	0
R	-14.25	1.52	p	-4.39	2.54
S	-9.52	5.71	r	-1.85	2.54
T	-8.36	11.66	s	1.85	2.54
U	-5.69	13.16	t	3.12	0
V	6.02	10.64	u	1.85	-2.54
W	12.24	0	v	-1.85	-2.54
X	6.02	-10.64	w	-3.12	0

Panel cutout

JAM NUT RECEPTACLE (TYPE 7)



Dim	Nominal
B	43.43+0/-0.25
ØC	44.7+0.25/-0

SOURIAU shall not be liable for any non-conformity or damage due to a use of the Products which does not comply with the Specifications issued by either of the Parties or by a third party (professional recommendation, technical notice.)

Country	Jurisdiction & Control List
FR	Not Listed

PN: 8D725K17SEL

A	03-10-2016	First Release	
ISS	DATE	Latest modification - by	MOD N°
Designed By:		Date:	<b>CUSTOMER DRAWING</b>
<b>TITLE</b>	<b>Stainless Steel Receptacle 8D series</b>		
SCALE		General linear Tolerances: ±--	NPRDS / PROJECT <b>859</b>
<b>SOURIAU</b>	<b>WWW.SOURIAU.COM</b>		This document is the property of SOURIAU it must not be reproduced or communicated without permission
FORMAT	<b>SOURIAU DRG N° 8D725K17SEL-C</b>		SHEET 2/2