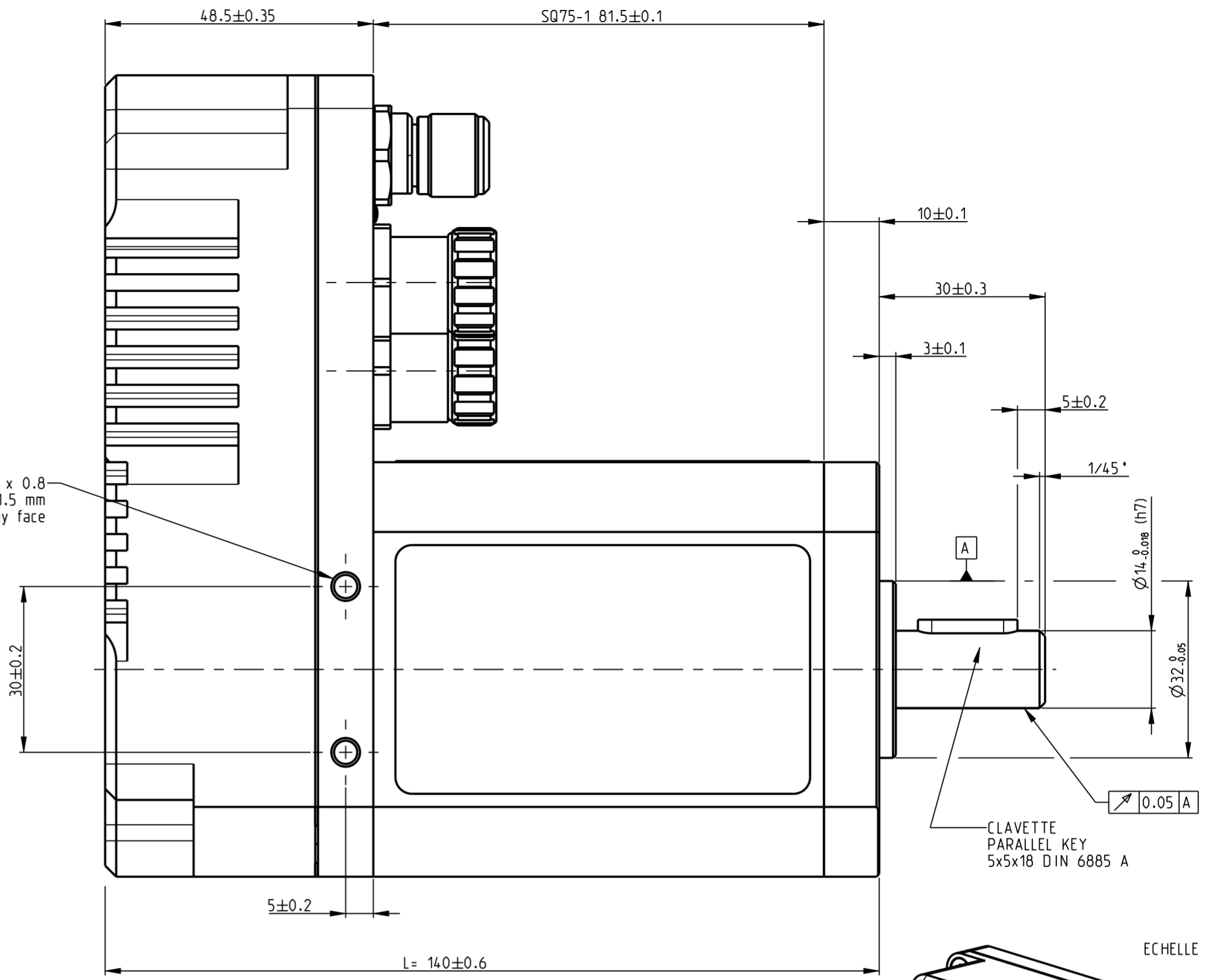
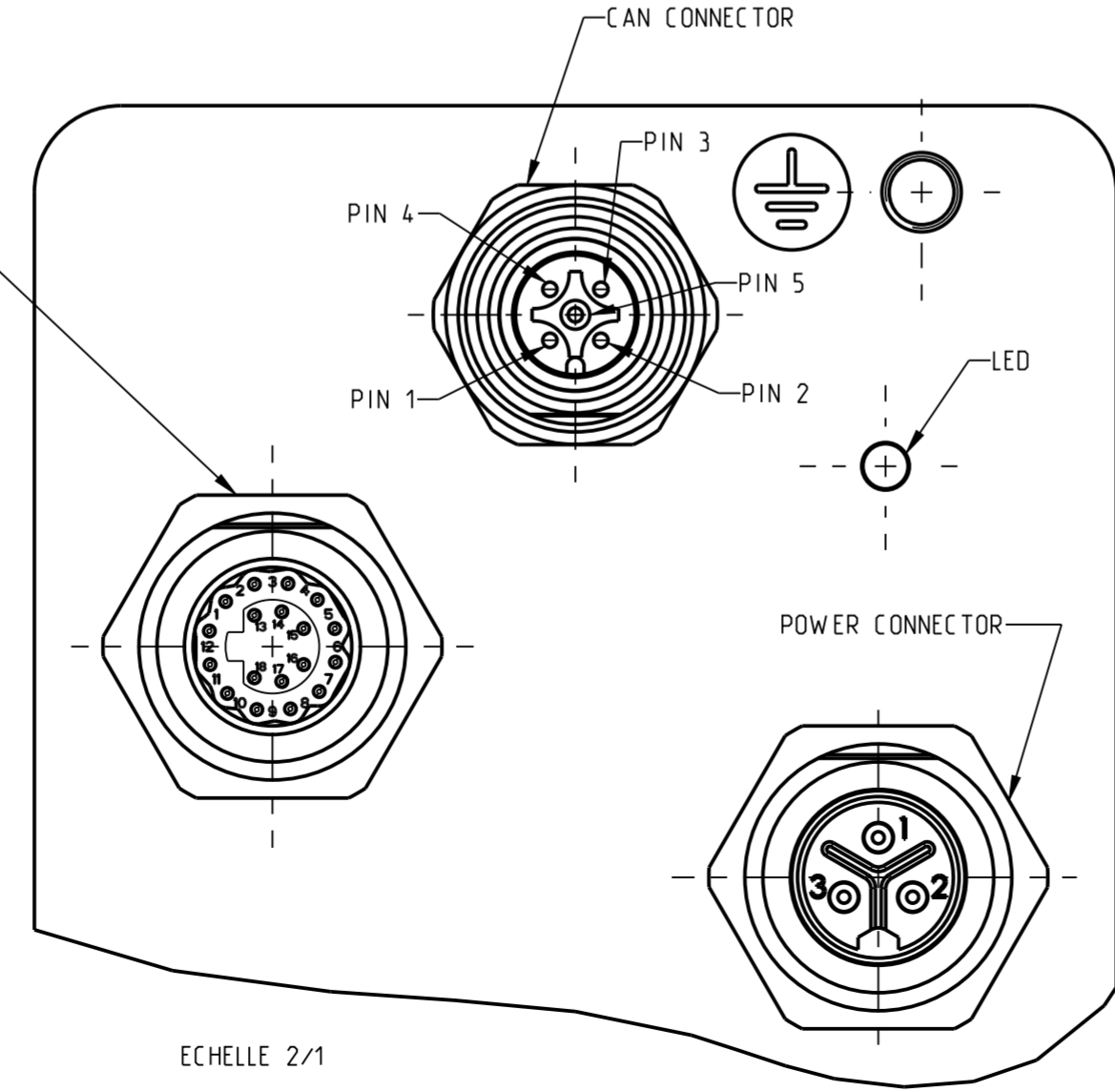
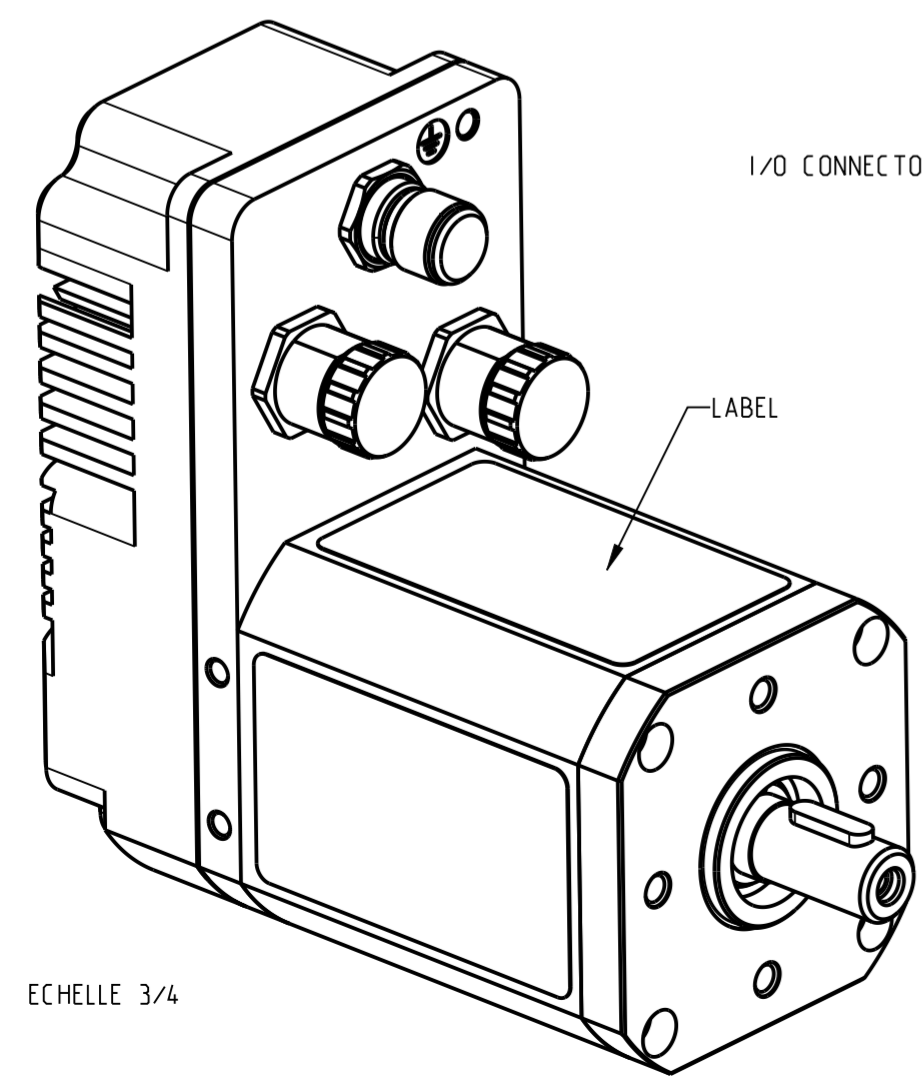


PRELIMINARY



ECHELLE 13/20



I/O CONNECTOR

Header : HUMMEL
7.850.000.000
Pin : HUMMEL
7.010.980.801
Insulation : HUMMEL
7.003.988.101

1	VLOGIC
2	GND_D
3	AN_1
4	AN_2
5	INPUT_1
6	INPUT_2
7	INPUT_3
8	INPUT_4
9	GND_D
10	OUTPUT_1
11	OUTPUT_2
12	OUTPUT_3
13	OUTPUT_4
14	GND_D
15	STO 2-
16	STO 2+
17	STO 1-
18	STO 1+

POWER CONNECTOR

Header : HUMMEL
7.850.000.000
Pin : HUMMEL
7.010.982.001
Insulation : HUMMEL
7.003.983.101

1	SHUNT +
2	POWER_IN
3	GND_P

CAN CONNECTEUR

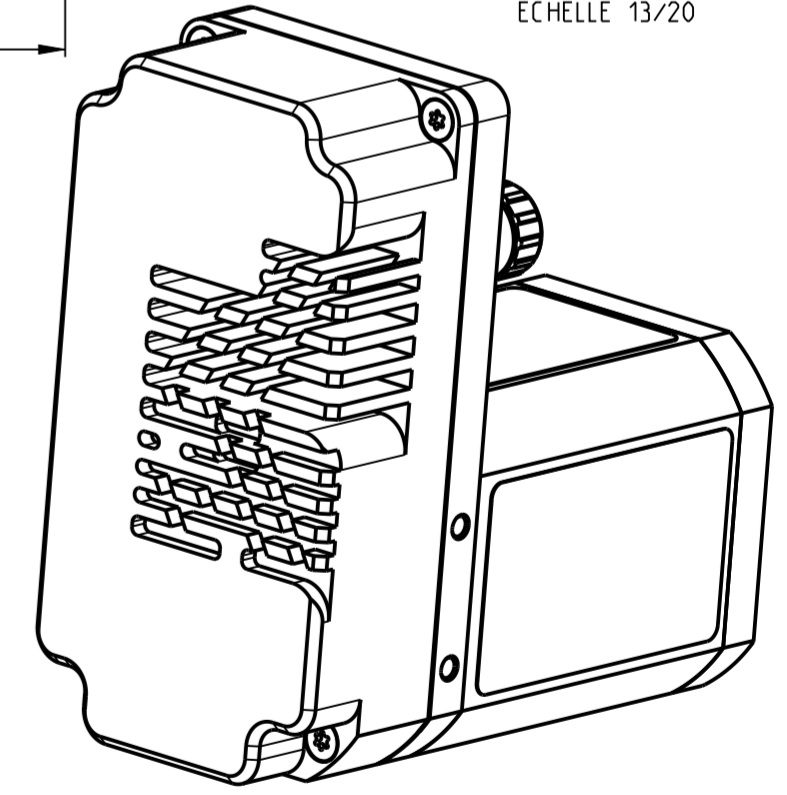
M12/PG9 : MOLEX
1200708205

1	NC
2	NC
3	GND_ISO
4	CAN_P
5	CAN_N

USB CONNECTOR

USB

0	SHIELD
1	VBus
2	D-
3	D+
4	NC
5	GND



Reference 80350000

