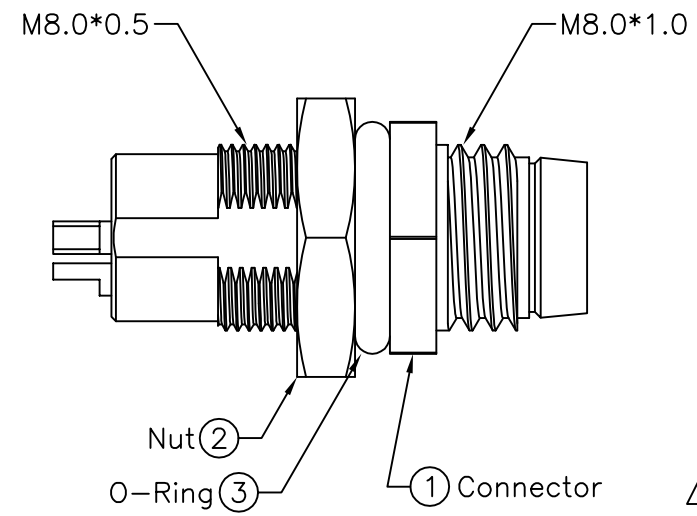
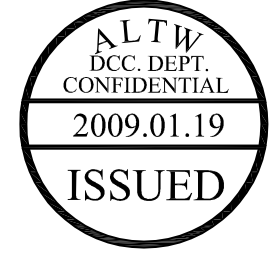
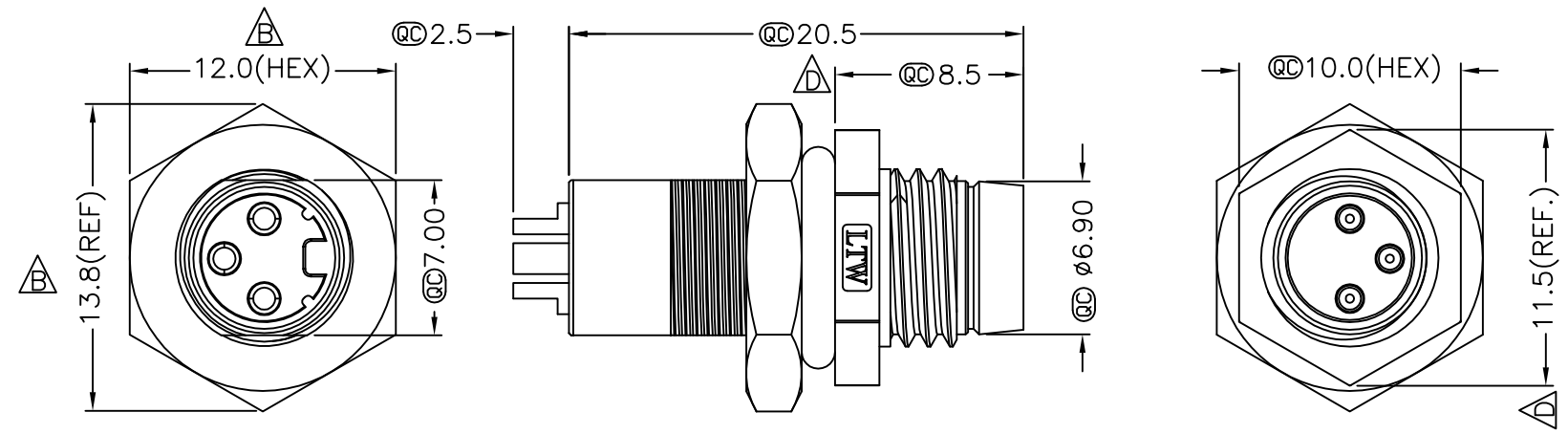
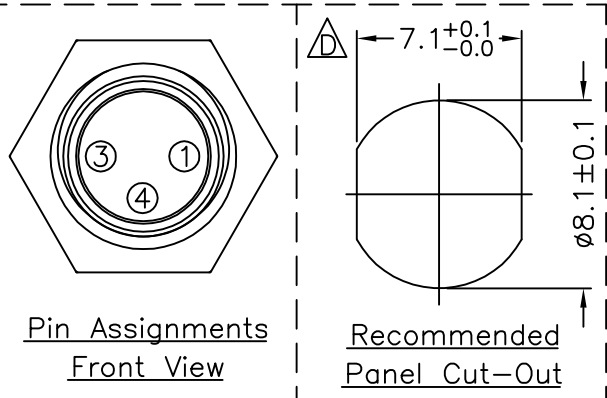


REV	ECN NO.	DATE	SIGN	DESCRIPTION
B	LEN-750245	2007/05/26	Jason	Change Dimension of Nut
C	LEN-7A0170	2007/09/29	Myrdal	Added Note
D	LEN-910182	2009/01/07	Ivan Lin	Change rev. to ECN note



- Note:
- * @C Important Dimension.
 - * Waterproof Rate: IP67
 - * Housing: Black, Nylon+GF
 - * Male Pin: Copper Alloy, Gold Plated
 - * Shield: Zinc Alloy, Nickel Plated
 - * Nut: Copper Alloy, Nickel Plated
 - * O-Ring: Black, EPDM
 - * For Panel Thickness Max 3.5mm
 - * Nut Torque: 4-6 kgf.cm



UNIT:mm		TITLE M8 Conn Panel Screw 3P M Conn M Pin		Amphenol LTW 安費諾亮泰企業股份有限公司		ITEM NO 8-03PMMS-SH7001	DRAWN BY Ivan Lin	DATE 2009/01/07
TOLERANCE .X ±0.25 .XX ±0.1 .XXX ±0.05 ANGLES ±1°		SCALE Free	SHEET 1 OF 1			DWG NO 8-03PMMS-SH7001	CHECKED BY Tommy Hom	DATE 2009/01/07
REV. D	SIZE A4	@C :Inspection Item				CUSTOMER ALTW	APPROVED BY Luke Chang	DATE 2009/01/07

THIS DOCUMENT IS SUBJECT TO CHANGE WITHOUT NOTICE. IT IS CONFIDENTIAL AND A PROPERTY OF Amphenol LTW. DISCLOSURE TO THIRD PARTY HAS TO BE AUTHORIZED BY Amphenol LTW.