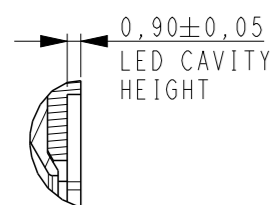
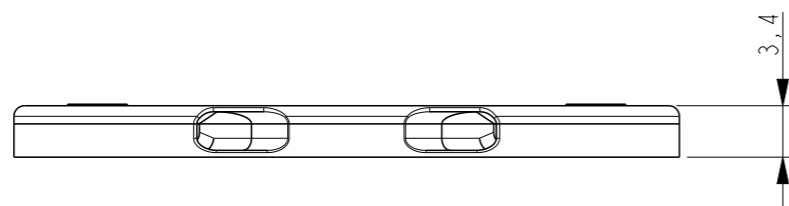
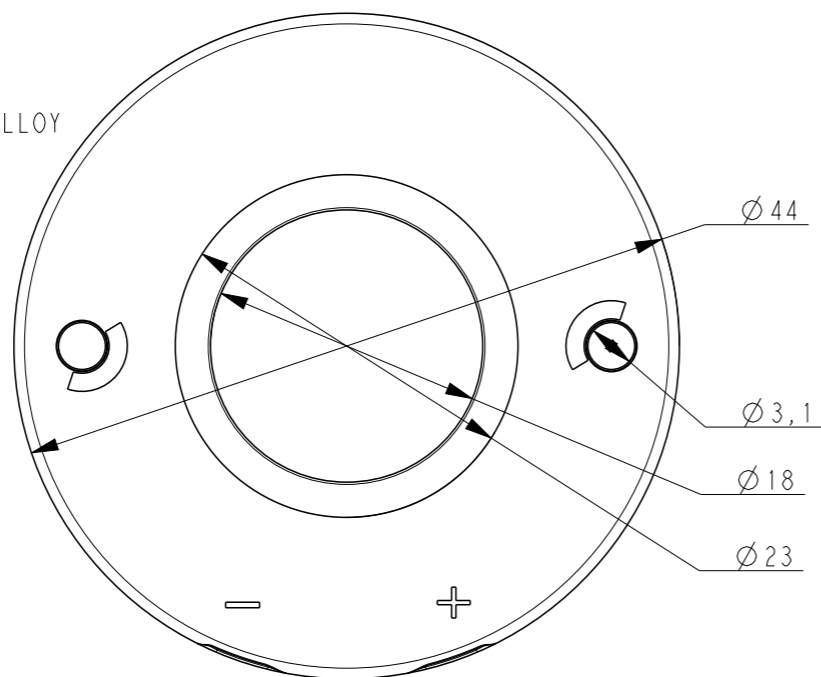


THIS DRAWING IS UNPUBLISHED. RELEASED FOR PUBLICATION
 © COPYRIGHT - BY TYCO ELECTRONICS CORPORATION. ALL RIGHTS RESERVED.

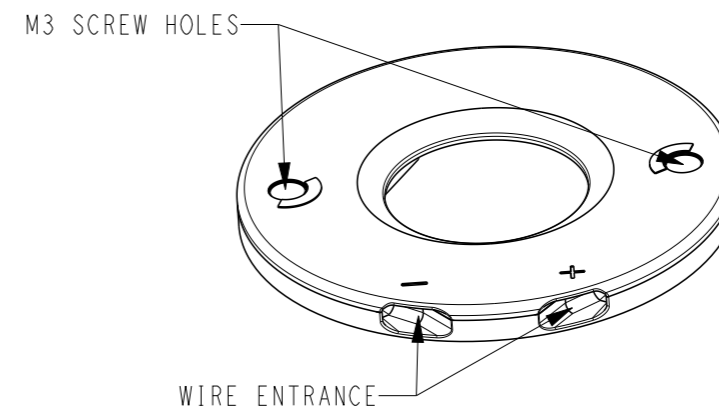
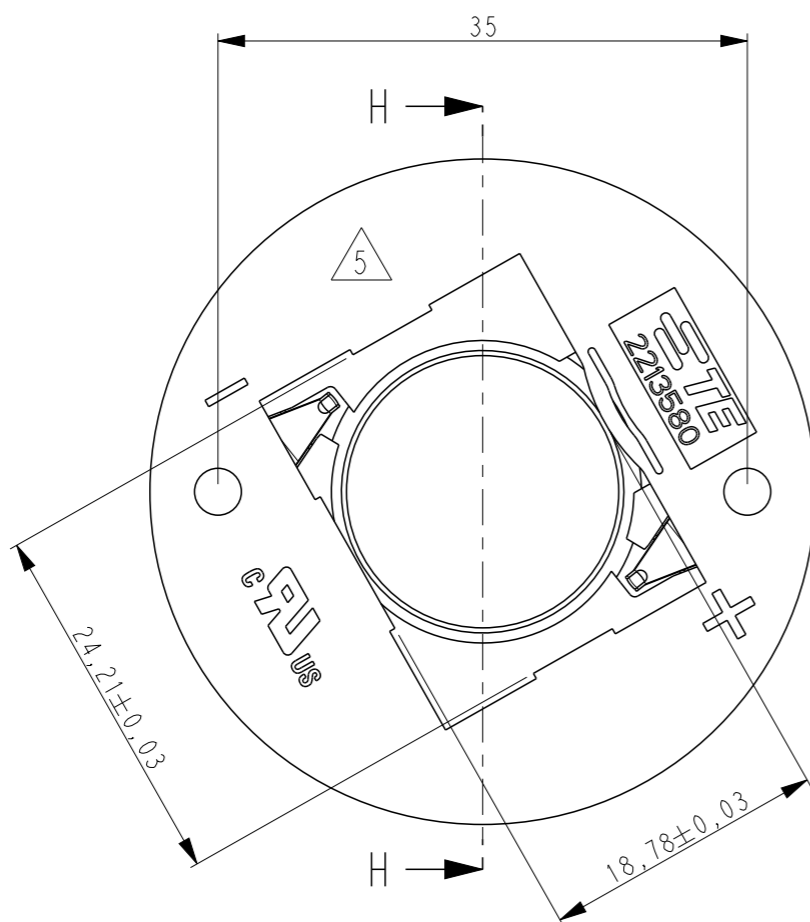
LOC	DIST	REVISIONS			
P	LTR	DESCRIPTION	DATE	DWN	APVD
	B	ADDED RELEASED LED	06FEB2017	KR	MvE
	C	REVISED PER ECR-17-005513	04APR2017	SK	MVE
	C1	REVISED PER ECR-17-016356	07NOV2017	RK	OL
	C2	REVISED PER ECR-19-017764	21NOV2019	SB	DD

NOTES:

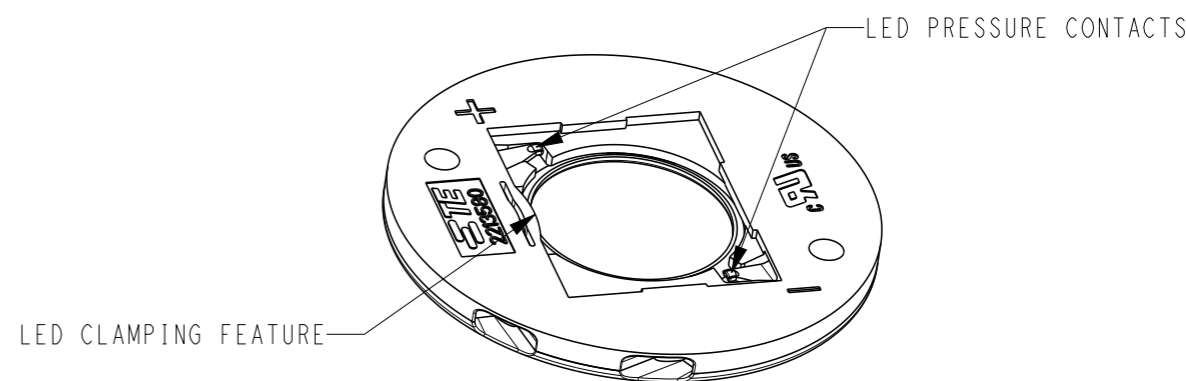
- MATERIALS:
HOUSING: GLASS FILLED PBT,
HALOGEN FREE FLAME RETARDANT,
COLOR : NATURAL/WHITE
CONTACTS: SILVER PLATED COPPER ALLOY
- FOR SOLID AND STRANDED WIRE
AWG 22-18
- COMPLIES WITH
DIRECTIVE 2002/95/EC (ROHS)
- M3 SCREW TO BE USED FOR MOUNTING
- DATE CODE YY-WW-D ANY WHERE
EXCEPT OVER LOGO OR +/- SIGN.
- FOR COB-TO-HOLDER CROSS
REFERENCE, REFER TO APPLICATION
SPECIFICATION 114-32208



SECTION H-H


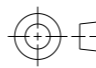


SCALE 3:2



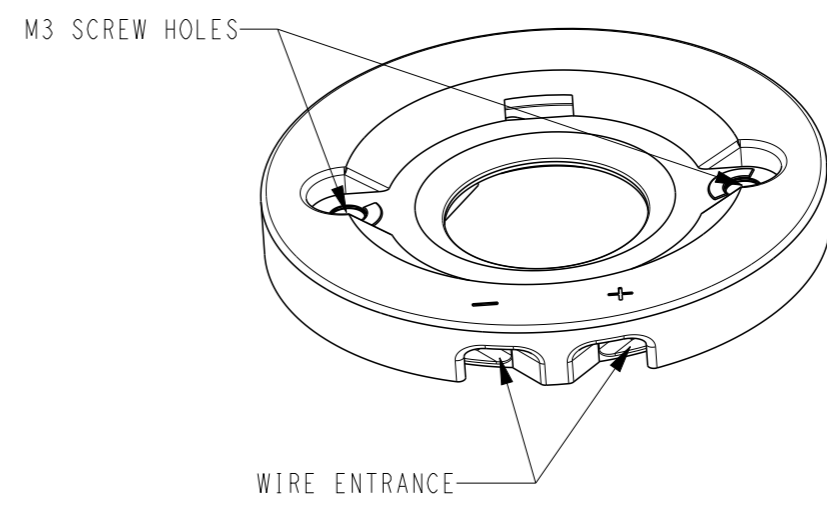
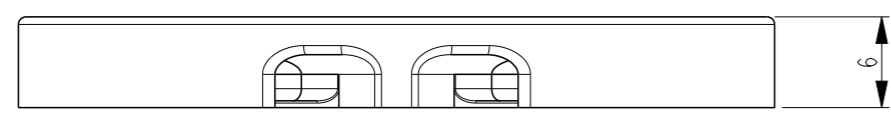
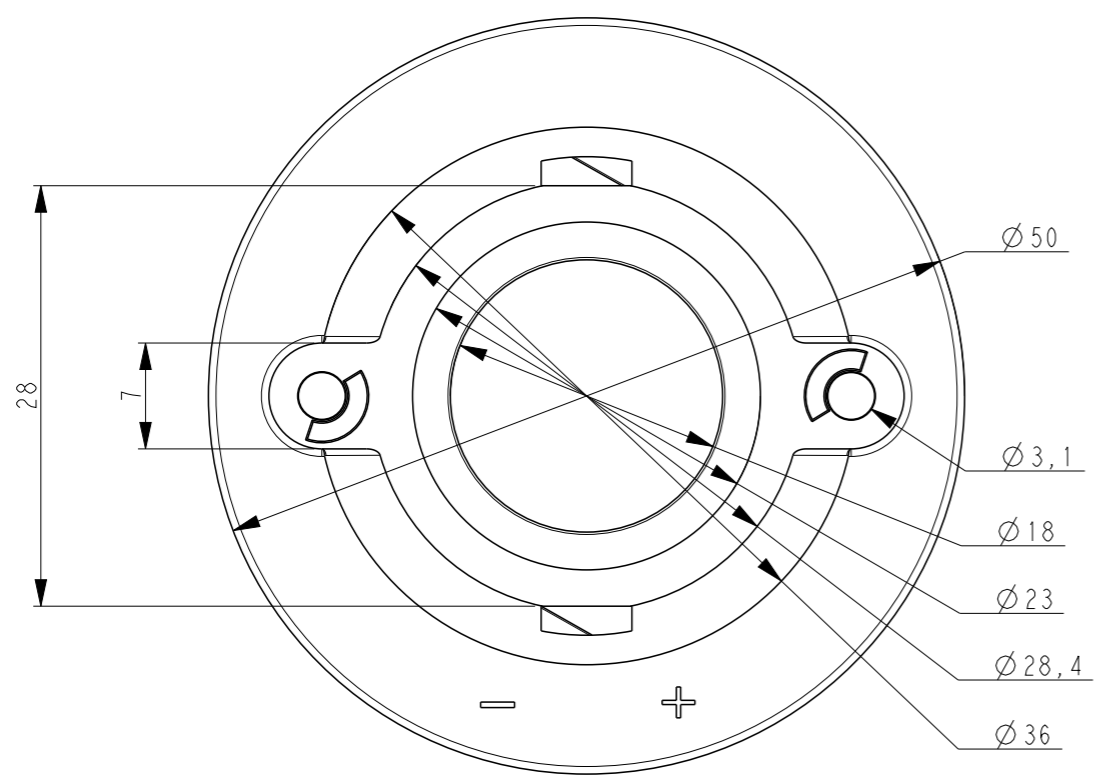
2213580-1 AS SHOWN
 LUMAWISE LED HOLDER Z50 LOW PROFILE

LUMAWISE LED HOLDER Z50 STANDARD PROFILE 1924	2213580-2
LUMAWISE LED HOLDER Z50 LOW PROFILE 1924	2213580-1
DESCRIPTION	PART NO

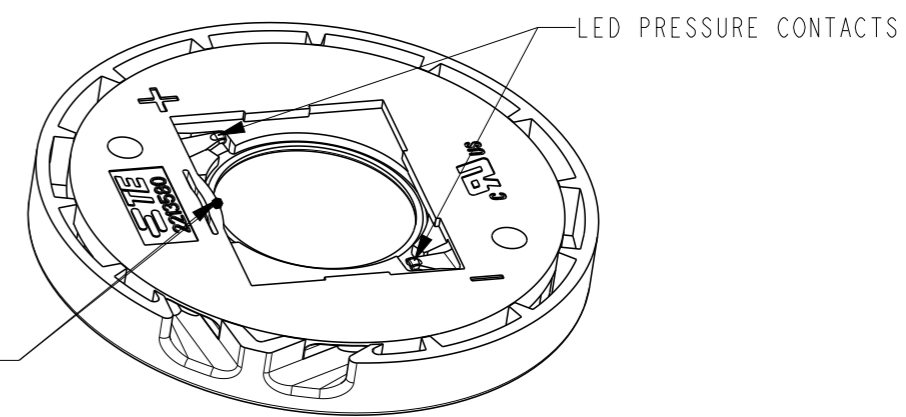
THIS DRAWING IS A CONTROLLED DOCUMENT. DIMENSIONING AND TOLERANCING PER ASME Y14.5M-2009.		DWN M.V.ESSSEN 3 NOV '14	 TE Connectivity NAME LUMAWISE LED HOLDER Z50 1924
DIMENSIONS: mm	TOLERANCES UNLESS OTHERWISE SPECIFIED:	CHK C.V.STEENDEREN 6 NOV '14	
	0 PLC ±- 1 PLC ±- 2 PLC ±- 3 PLC ±- 4 PLC ±- ANGLES ±-	APVD O.IEIJNSE 7 NOV '14	
MATERIAL -	FINISH -	PRODUCT SPEC 108-133008 APPLICATION SPEC 114-32048	
		WEIGHT -	SIZE A3
		Customer Drawing	CAGE CODE 00779
			DRAWING NO G-2213580
			RESTRICTED TO -
			SCALE 2:1
			SHEET 1 OF 3
			REV C2

THIS DRAWING IS UNPUBLISHED. RELEASED FOR PUBLICATION
 © COPYRIGHT - BY TYCO ELECTRONICS CORPORATION. ALL RIGHTS RESERVED.

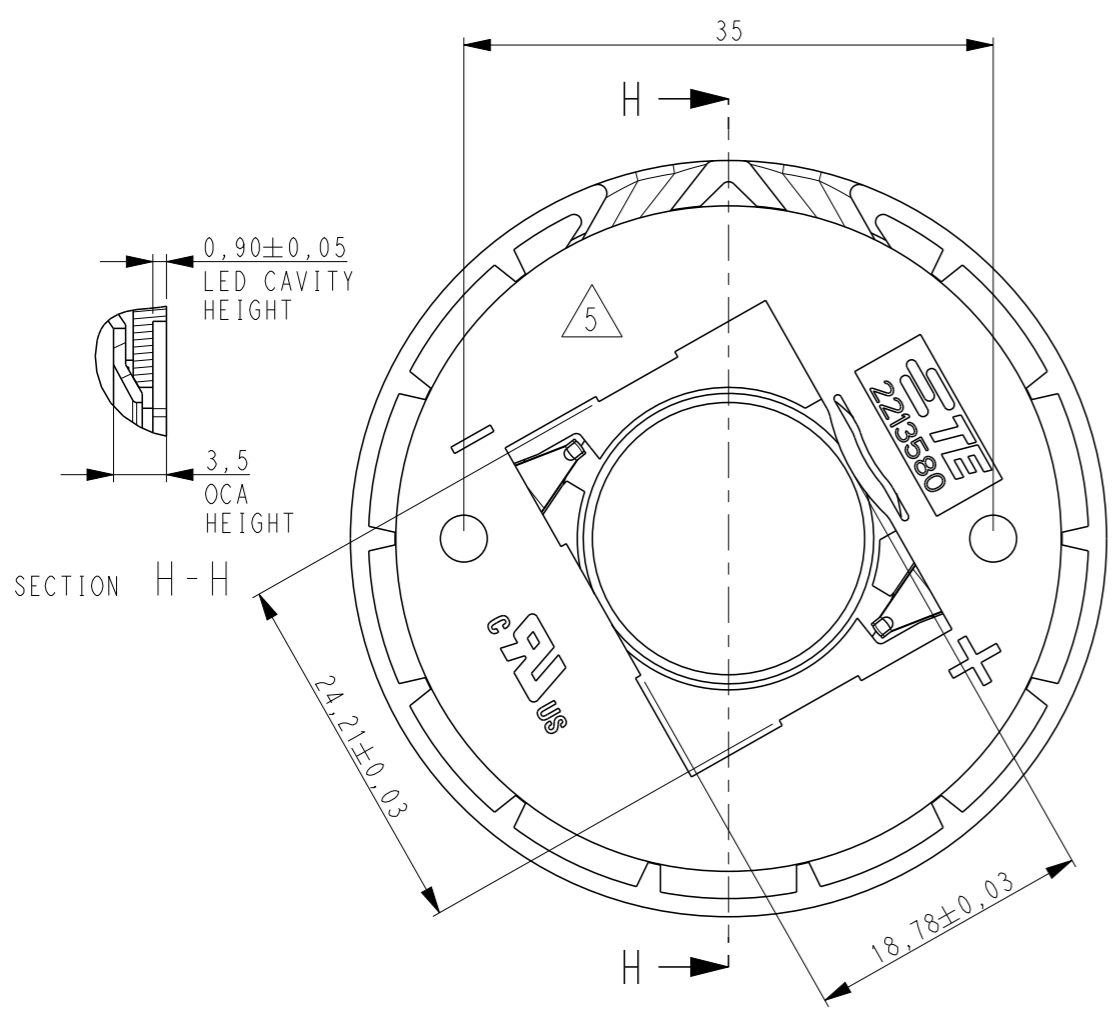
LOC	DIST	REVISIONS					
H	-	P	LTR	DESCRIPTION	DATE	DWN	APVD
			-	SEE SHEET 1	-	-	-



SCALE 3:2



2213580-2 AS SHOWN
 LUMAWISE LED HOLDER Z50 STANDARD PROFILE



THIS DRAWING IS A CONTROLLED DOCUMENT.		DWN M.V.ESSSEN 3 NOV'14	TE Connectivity	
DIMENSIONS: mm		CHK C.V.STEENDEREN 6 NOV'14		
TOLERANCES UNLESS OTHERWISE SPECIFIED:		APVD O.I.FIJNSE 7 NOV'14	NAME LUMAWISE LED HOLDER Z50 1924	
0 PLC ±- 1 PLC ±- 2 PLC ±- 3 PLC ±- 4 PLC ±- ANGLES ±-		PRODUCT SPEC 108-133008	RESTRICTED TO	
MATERIAL -		APPLICATION SPEC 114-32048	SIZE A3	CAGE CODE 00779
FINISH -		WEIGHT -	DRAWING NO C-2213580	
		Customer Drawing	SCALE 2:1	SHEET 2 OF 3
			REV C2	

THIS DRAWING IS UNPUBLISHED.

RELEASED FOR PUBLICATION

© COPYRIGHT - BY TYCO ELECTRONICS CORPORATION. ALL RIGHTS RESERVED.

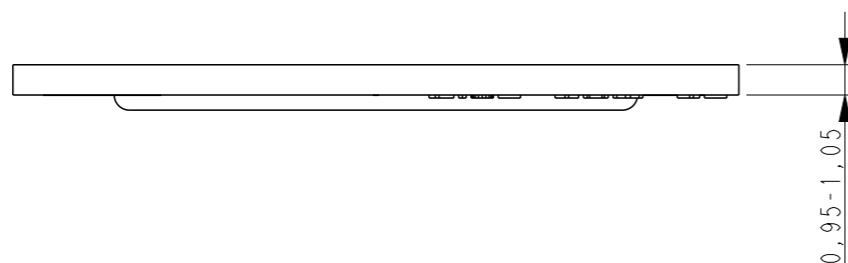
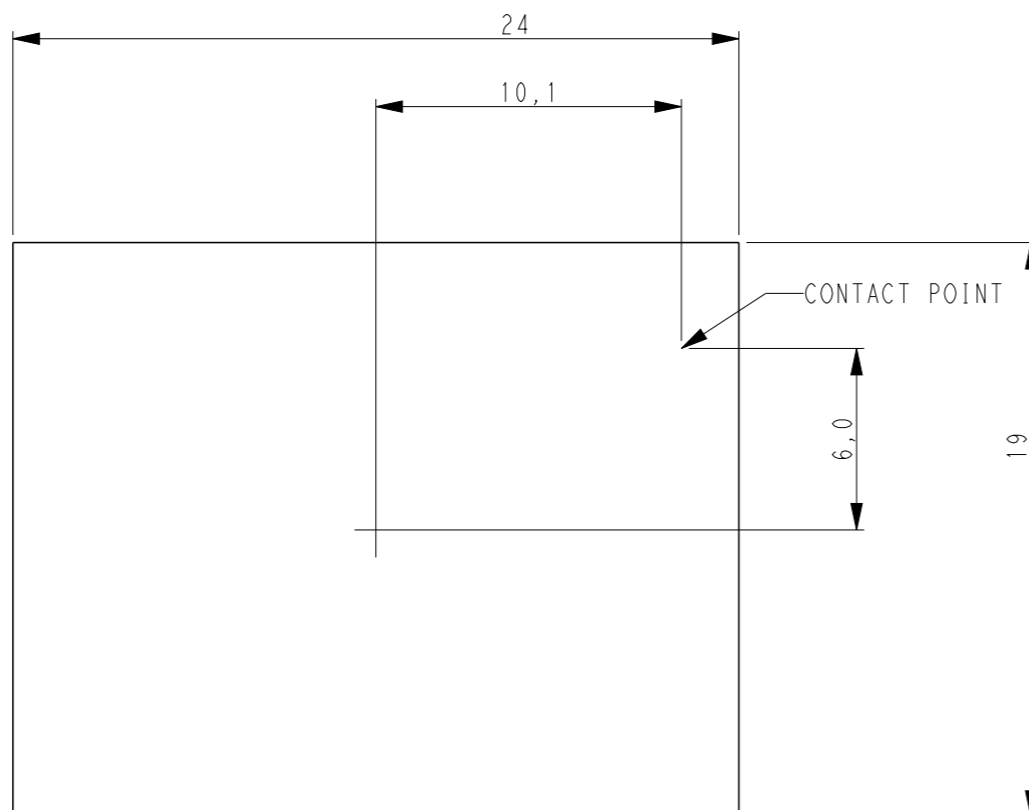
LOC
H

DIST
-

REVISIONS

P	LTR	DESCRIPTION	DATE	DWN	APVD
-	-	SEE SHEET 1	-	-	-

THE SKETCH BELOW IS SHOWING THE NOMINAL LED COB DIMENSIONS TO MATCH WITH THE LUMAWISE LED HOLDER Z50 1924. FOR TECHNICAL DETAILS ABOUT A PROPER MATCH WITH A SPECIFIC LED COB ARRAY PLEASE CONTACT A REPRESENTATIVE AT TE-CONNECTIVITY.



THIS DRAWING IS A CONTROLLED DOCUMENT.

DIMENSIONS:	TOLERANCES UNLESS OTHERWISE SPECIFIED:
mm	
	0 PLC ±-
	1 PLC ±-
	2 PLC ±-
	3 PLC ±-
	4 PLC ±-
	ANGLES ±-

MATERIAL - FINISH -

DWN M.V.ESSSEN 3 NOV'14

CHK C.V.STEENDEREN 6 NOV'14

APVD O.IEIJNSE 7 NOV'14

PRODUCT SPEC

108-133008

APPLICATION SPEC

114-32048

WEIGHT -

Customer Drawing



TE Connectivity

NAME LUMAWISE LED HOLDER Z50 1924

SIZE A3 CAGE CODE 00779 DRAWING NO C-2213580 RESTRICTED TO -

SCALE 2:1 SHEET 3 OF 3 REV C2