



**REED SWITCH DEVELOPMENTS CORP.**

2524 Norwood Court

Racine, WI 53403

Ph: (262)883-9060

[sales@reedswitchdevelopments.com](mailto:sales@reedswitchdevelopments.com)

# SPECIFICATION SHEET

## 2010-1301-100 REV 001

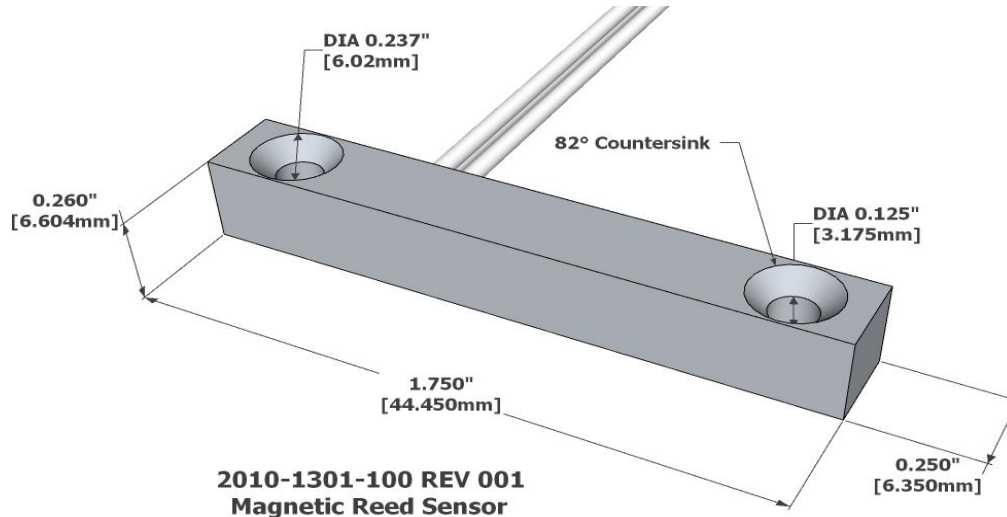
Alternate Part Number:  
**AM2010-1301-10-01**

Active / Equivalent Part Numbers:

2010-1301-100 REV 001 - Magnetic Reed Sensor Only

AM2010-1301-10-01 - Magnetic Reed Sensor Only

Sensor (Reed) - Specifications		1901 **
Physical	Configuration	SPDT
	Form	C
	Contact Position	OFFSET
	Glass L	14.00 mm
	Glass D	2.30 mm
	Total L*	55.00 mm
	Wire D	0.53 mm
	Gap Location	
	Mount Spec*	THRU
	Contact Material	RHODIUM
	Max Vibration Resistance	20 G
	Max Shock Resistance (11ms)	50 G
	Lead Tensile Strength	N/A KG
	Operating	Pull in (+/- 2AT)*
Drop out*		5 AT
Operate Time		2.0 ms
Bounce Time		0.60 ms
Release Time		0.50 μs
Resonant Frequency		N/A Hz
Max Operating Frequency		250 Hz
Operating Temperature Range		-40 - 105 °C
Storage Temperature		N/A °C
Electrical		DC Contact Rating
	AC Contact Rating	20 VA
	DC Switching Voltage	150 VDC
	AC Switching Voltage	150 VAC
	DC Switching Current	1.00 A
	AC Switching Current	1.00 A
	DC Max Carry Current	2.00 A
	AC Max Carry Current	2.00 A
	Min Breakdown Voltage	200 VDC
	Max Initial Contact Resistance	150 mOhm
	Typical Initial Contact Resistance	N/A mOhm
	Max Contact Capacitance	0.80 pF
	Min Insulation Resistance	10 <sup>9</sup> Ohm



**2010-1301-100 REV 001  
Magnetic Reed Sensor**

All measurements are in Inches [millimeters]

### Sensor - Wire/Cable Characteristics (cont.)

Type	Wire
Conductor Count	3
Length	6.0"/152.4mm
Colors	RED, BLK, WHT
Insulation Material	PVC
Gauge	24 AWG
Stranded Copper	7 STR-TC
Maximum Temp	105°C

### Conductor Configuration

Common (COM) - WHITE
Normally Open (NO) - RED
Normally Closed (NC) - BLACK

For More Information Visit:

[www.reedswitchdevelopments.com](http://www.reedswitchdevelopments.com)

Or Call Us At:

262-883-9060

### Housing Characteristics 2010

Rectangular w/ Mounting Holes	
Length	1.750"/44.45mm
Width	0.250"/6.35mm
Height	0.260"/6.60mm
Material	Celanex 3316

### Standard Sensor/Actuator - Min. Actuation Distance

2010-4002-000	0.50"/12.7mm
---------------	--------------

### Assembly Certifications

UL Recognized (File #: E102207)	Y
RoHS / Reach Compliant	Y
Conflict Free Material	Y

REV DATE: 10/06/2021

\* Pre-processed, bare reed element

\*\* THIS ASSEMBLY USES ALTERNATE REED

DISCLAIMER NOTICE: INFORMATION FURNISHED IS PROPRIETARY, AND IS BELIEVED TO BE ACCURATE AND RELIABLE, AND IS SUBJECT TO CHANGE WITHOUT NOTICE. IT SHALL BE THE RESPONSIBILITY OF THE BUYER TO ENSURE THAT THE GOODS ARE SUFFICIENT AND SUITABLE FOR THE PURPOSE OR PURPOSES INTENDED (WHETHER BY THE BUYER OR BY ANY THIRD PARTY) AND THAT THEIR CAPACITY AND PERFORMANCE IS NOT ADVERSELY AFFECTED BY ANY ITEMS USED IN THEIR INSTALLATION (WHERE RELEVANT) AND/OR IN CONNECTION WITH THEM.

**WBE Certified - State of Wisconsin - MFR CAGE CODE: 32604**

[www.reedswitchdevelopments.com](http://www.reedswitchdevelopments.com)