

- NOTES:
- MATERIAL:
 OPTION 1: NYLON, BLACK, UL94 V-0;
 OPTION 2: NYLON, NATURAL, UL94 V-0.
 - PARTS TO BE PACKAGED PER PK-172323-0004
 - PRODUCT SPECIFICATION PS-172323-0001
 - PART MATES WITH MOLEX R/A HEADER ASSEMBLY 172316 AND VERTICAL HEADER ASSEMBLY 172298, 172299 SERIES.
 - TO USE WITH TERMINAL 172253-6***, 172253-7***
 - TO USE WITH TPA 172264-3***, 172264-4***
 - PARTS CONFORM TO CLASS "B" REQUIREMENTS OF COSMETIC SPECIFICATION PS-45499-002
 - APPLICATION SPECIFICATION: AS-172323-0001.

THIS DRAWING CONTAINS INFORMATION THAT IS PROPRIETARY TO MOLEX ELECTRONIC TECHNOLOGIES, LLC AND SHOULD NOT BE USED WITHOUT WRITTEN PERMISSION												
DIMENSION UNITS	SCALE	CURRENT REV DESC:					molex					
mm	2:1											
GENERAL TOLERANCES (UNLESS SPECIFIED)		EC NO: 626316					ULTRA-FIT TANGLES HSG DUAL ROW 4-16CKT					
ANGULAR TOL ± °		4 PLACES ±		DRWN: SCHEN76		2019/10/25		PRODUCT CUSTOMER DRAWING				
3 PLACES ±		3 PLACES ±		CHK'D: YXZHENG		2019/10/25		DOCUMENT NUMBER				
2 PLACES ± 0.25		2 PLACES ± 0.25		APPR: YXZHENG		2019/10/25		1722580003		DOC TYPE	DOC PART	REVISION
1 PLACE ± 0.5		1 PLACE ± 0.5		INITIAL REVISION:		DRWN: SCHEN76		2018/03/09		PSD	000	A1
0 PLACES ±		0 PLACES ±		APPR: AYIN		2019/02/27		SERIES		SHEET NUMBER		
DRAFT WHERE APPLICABLE MUST REMAIN WITHIN DIMENSIONS		THIRD ANGLE PROJECTION		DRAWING		SERIES		MATERIAL NUMBER		CUSTOMER		1 OF 2
		A3-SIZE		172258		GENERAL MARKET						

10

9

8

7

6

5

4

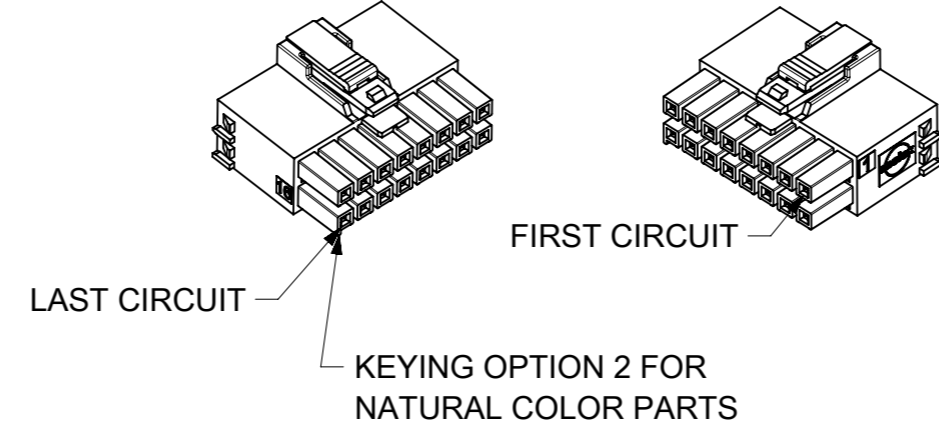
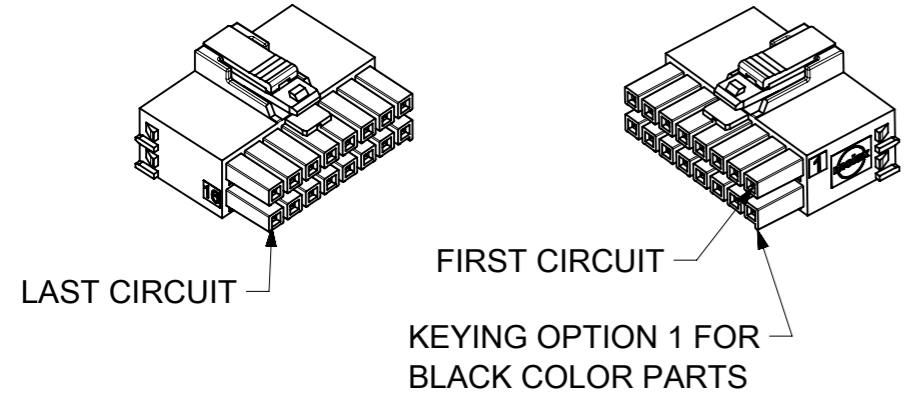
3

2

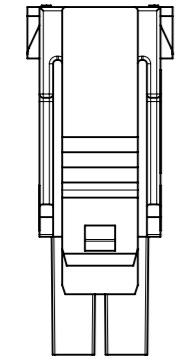
1

KEYING OPTION 1

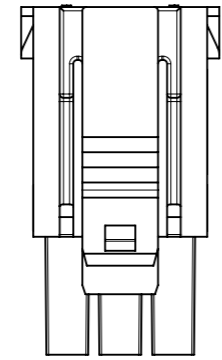
KEYING OPTION 2



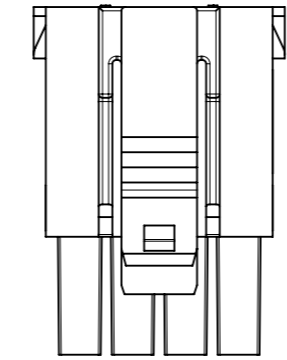
PART NUMBER	COLOR	CIRCUIT SIZE	KEY OPTION	DIM B
172258-3104	BLACK	4	1	8.00
172258-3106	BLACK	6	1	11.50
172258-3108	BLACK	8	1	15.00
172258-3110	BLACK	10	1	18.50
172258-3112	BLACK	12	1	22.00
172258-3114	BLACK	14	1	25.50
172258-3116	BLACK	16	1	29.00
172258-4104	NATURAL	4	2	8.00
172258-4106	NATURAL	6	2	11.50
172258-4108	NATURAL	8	2	15.00
172258-4110	NATURAL	10	2	18.50
172258-4112	NATURAL	12	2	22.00
172258-4114	NATURAL	14	2	25.50
172258-4116	NATURAL	16	2	29.00



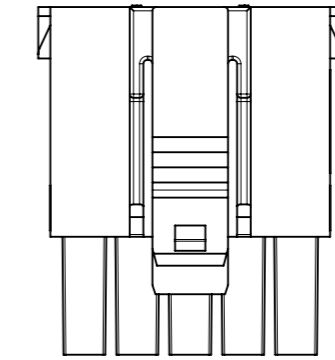
4CKT



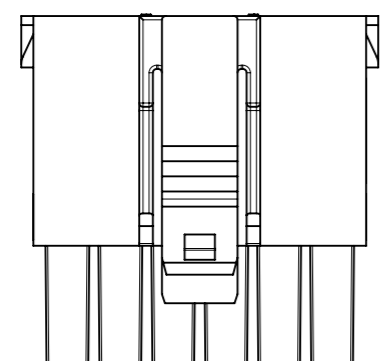
6CKT



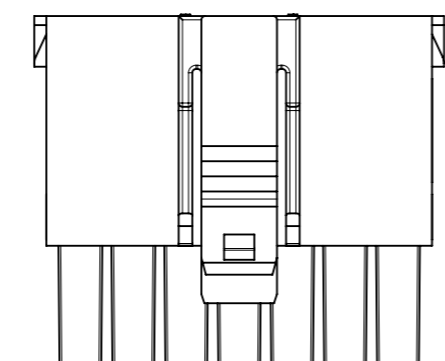
8CKT



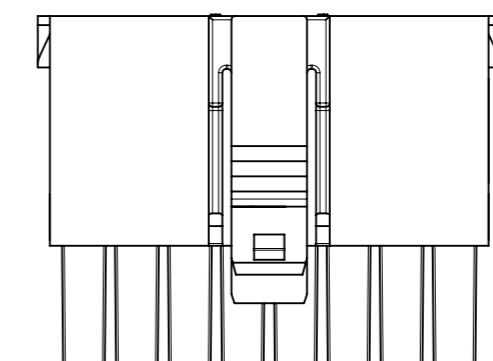
10CKT



12CKT



14CKT



16CKT

THIS DRAWING CONTAINS INFORMATION THAT IS PROPRIETARY TO MOLEX ELECTRONIC TECHNOLOGIES, LLC AND SHOULD NOT BE USED WITHOUT WRITTEN PERMISSION

DIMENSION UNITS mm	SCALE 2:1	CURRENT REV DESC:	molex		
GENERAL TOLERANCES (UNLESS SPECIFIED)					
ANGULAR TOL ± °		EC NO: 626316	PRODUCT CUSTOMER DRAWING		
4 PLACES ±		DRWN: SCHEN76 2019/10/25	DOCUMENT NUMBER	DOC TYPE	DOC PART
3 PLACES ±		CHK'D: YXZHENG 2019/10/25	1722580003	PSD	000
2 PLACES ± 0.25		APPR: YXZHENG 2019/10/25			
1 PLACE ± 0.5		INITIAL REVISION:	GENERAL MARKET	2 OF 2	A1
0 PLACES ±		DRWN: SCHEN76 2018/03/09			
DRAFT WHERE APPLICABLE MUST REMAIN WITHIN DIMENSIONS	THIRD ANGLE PROJECTION	DRAWING	SERIES	MATERIAL NUMBER	CUSTOMER
		A3-SIZE	172258		GENERAL MARKET

10

9

8

7

6

5

4

3

2

1