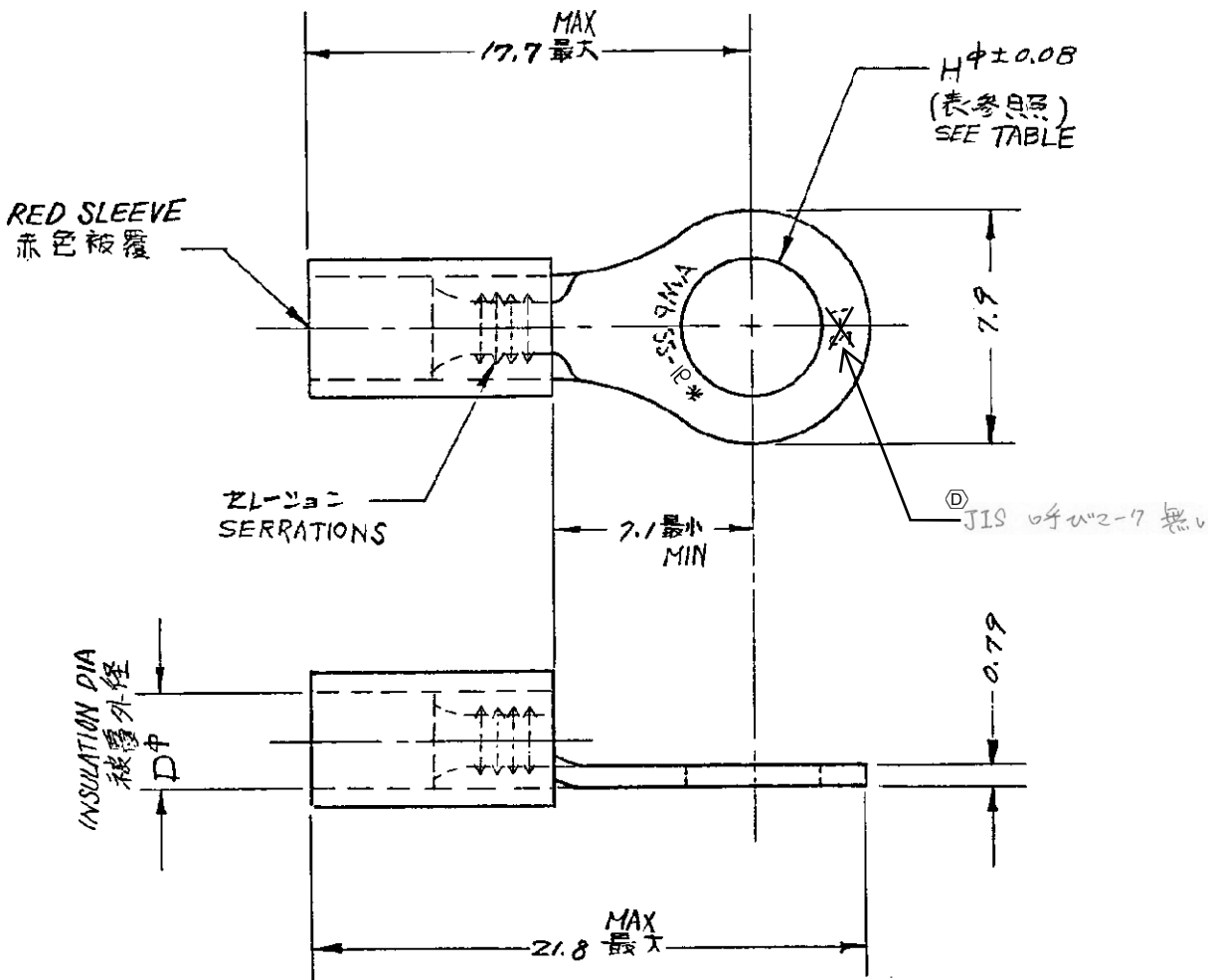


1 OBSOLETE PARTS: OBSOLETE CIS STREAMLINING PER D.RENAUD/D.SINISI



	P/N	STUD	INSULATION DIA	P/N	STUD	INSULATION DIA
	型番	スタッド	H中 被覆外径 D中	型番	スタッド	H中 被覆外径 D中
① OBSOLETE	171509-1	#6	3.68 2.03~3.05	171509-6	#10	5 2.66~3.56
② OBSOLETE	-2	#8	4.34 2.03~3.05	-7	5mm	⑤ 5.2 2.03~3.05
③ OBSOLETE	-3	#10	5 2.03~3.05	-8	5mm	5.26 2.66~3.56
④ OBSOLETE	-4	#6	3.68 2.66~3.56	171509-9	SPEC.	5.79 2.03~3.05
⑤ OBSOLETE	171509-5	#8	4.34 2.66~3.56			

D	Change Applicable Body	Y.O	N.Y	23JAN17	E	OBSOLETE	Y.O	N.Y	14APR17	F	REVISED PER ECR-17-007066	T.G	N.Y	26MAY17
C2	REV PER ECO-10-000444	KK	AEG	08JAN 10	参考図面 (CUSTOMER COPY) (REFERENCE ONLY)									
C1	REVISED ECR-05-006866	Y.Y	D.M	15JUL '05	材料: COPPER 銅 (FINISH: ANNEAL TIN PL 焼付銅)									
C	-3 OBSOLETE (FJ00-1754-9)	Y.I	S.M	12/19 '94	WIRE RANGE: #22-16 0.26~1.04 mm (AWG 22-16) INSULATION DIA: 表参照 SEE TABLE									
B	ADDED MARK	H.S	M.U	8/11/12	CLASS: PLASTI-GRIP 7075717"リッフ									
A	REVISED (P-DWG. REV. A)	H.S	M.U	7/1/15	SCALE: 4:1									
0	RELEASED (P-DWG. REV. C)	S.P	J.C	3/11/12	LOC: JA SIZE: G-171509									
LTR	変更 (REVISION RECORD)	DR.	CHK.	DATE	REV: F									
DR.	S. Okada 2/12/15	DR. NAME: 丸型端子 WIRE TERMINAL ASSEMBLY												
CHK.	S. Okada 2/12/15	APP. J. Okada 2/12/15												