

MATERIALS AND FINISHES

BODY ZINC ALLOY  
PLATED NICKEL

CENTER CONTACT PHOSPHOR BRONZE  
PLATED GOLD

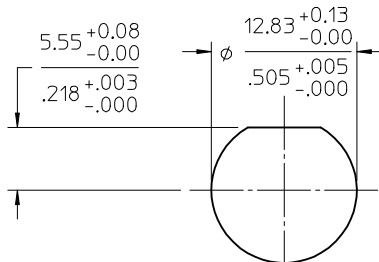
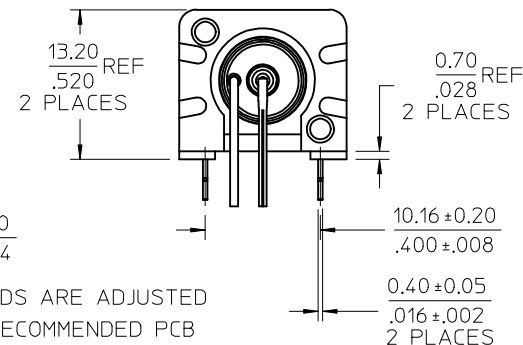
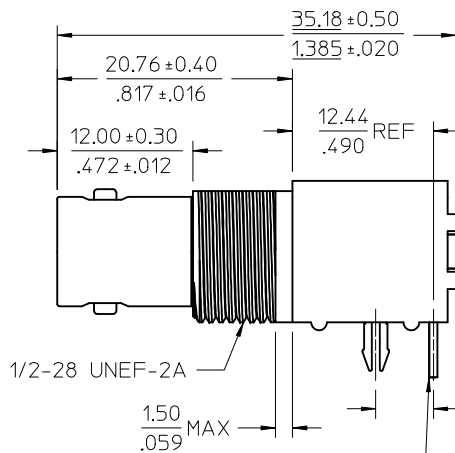
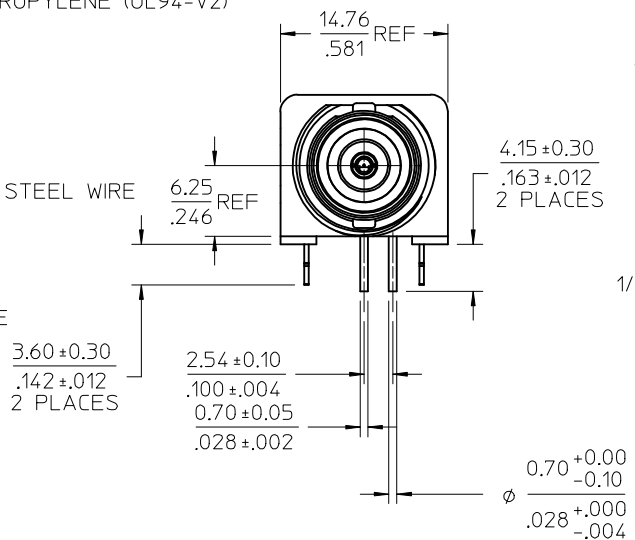
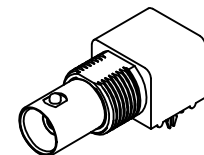
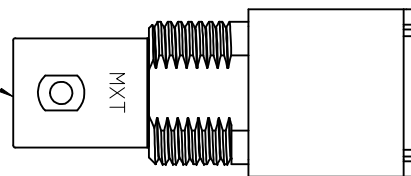
INSULATOR POLYPROPYLENE (UL94-V2)

HOUSING P.B.T.  
COLOR WHITE

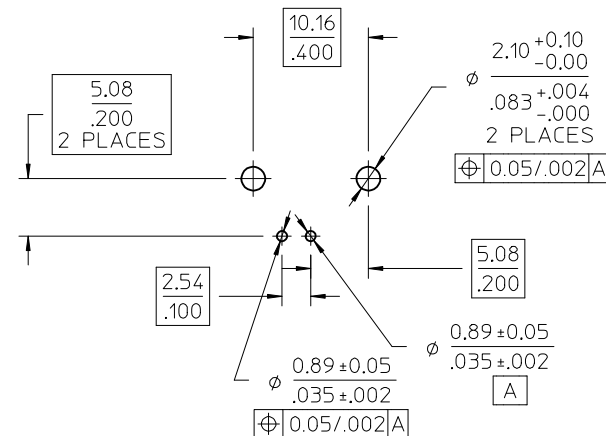
SOLDER TAIL  
COPPER COVERED STEEL WIRE  
PLATED TIN

BOARD LOCK CLIP  
PHOSPHOR BRONZE  
PLATED TIN

BNC JACK  
INTERFACE



RECOMMENDED MOUNTING HOLE  
RECOMMENDED MOUNTING  
TORQUE: 0.56 N-m(5.0 IN-LBS)  
PANEL THICKNESS: 5.5(.217) MAX



RECOMMENDED PCB LAYOUT

73171-3040	73100-0131, ONE PER BAG
73100-0131	TRAY PACK
PART NO.	PACKAGING

ES-73599-0000	INTERFACE
PS-73598-0050	ELECTRO/MECH PERFORM
SPECIFICATION	DESCRIPTION

CHG: REDREW IN SD ADDED P/N 73171-3070 EC NO: URF2007-0396 DRWIN:ELAHERTY 2007/05/01 CHKD:SSHAH 2007/05/01 APPR:JWENER 2007/05/01 DESCRIPTION B1	QUALITY SYMBOLS ▽=0 ▽=0	GENERAL TOLERANCES (UNLESS SPECIFIED) mm INCH 4 PLACES ± --- ± --- 3 PLACES ± --- ± --- 2 PLACES ± --- ± --- 1 PLACE ± --- ± --- ANGULAR ± ---°	DIMENSION STYLE MM/IN DRAWN BY DATE KELLY 1994/01/14 CHECKED BY DATE APPROVED BY DATE	SCALE DESIGN UNITS METRIC THIRD ANGLE PROJECTION	TITLE BNC JACK ,R/A, PCB RECEPTACLE, 50 OHM BNC-JC
	DRAFT WHERE APPLICABLE MUST REMAIN WITHIN DIMENSIONS	MATERIAL NO. SEE TABLE	DOCUMENT NO. SD-73100-0131	SHEET NO. 1 OF 1	

THIS DRAWING CONTAINS INFORMATION THAT IS PROPRIETARY TO MOLEX INCORPORATED AND SHOULD NOT BE USED WITHOUT WRITTEN PERMISSION