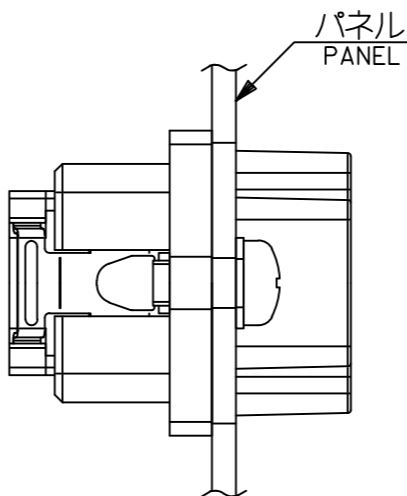
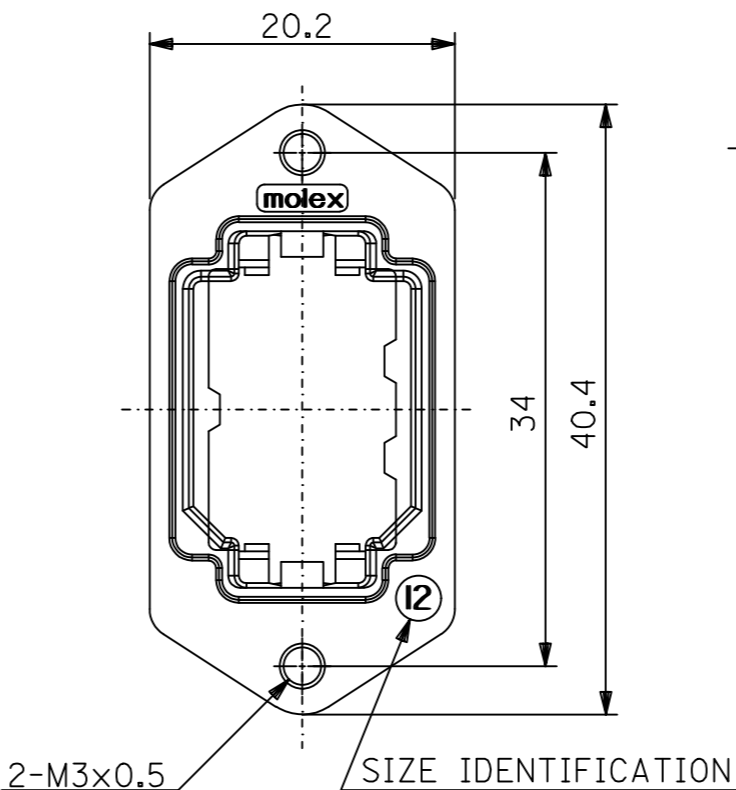
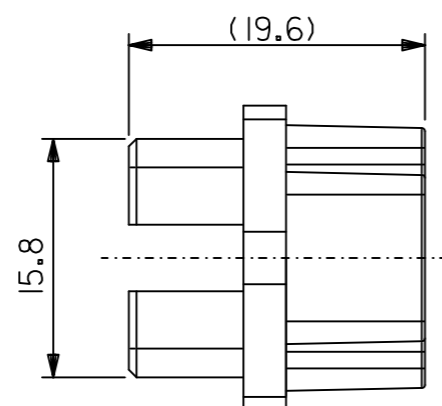
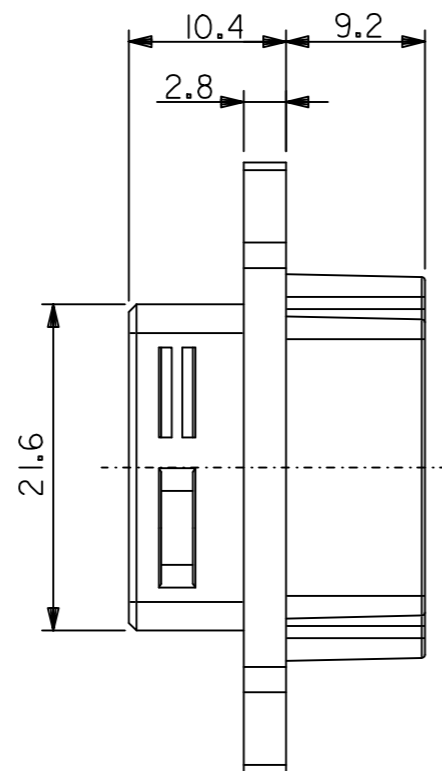
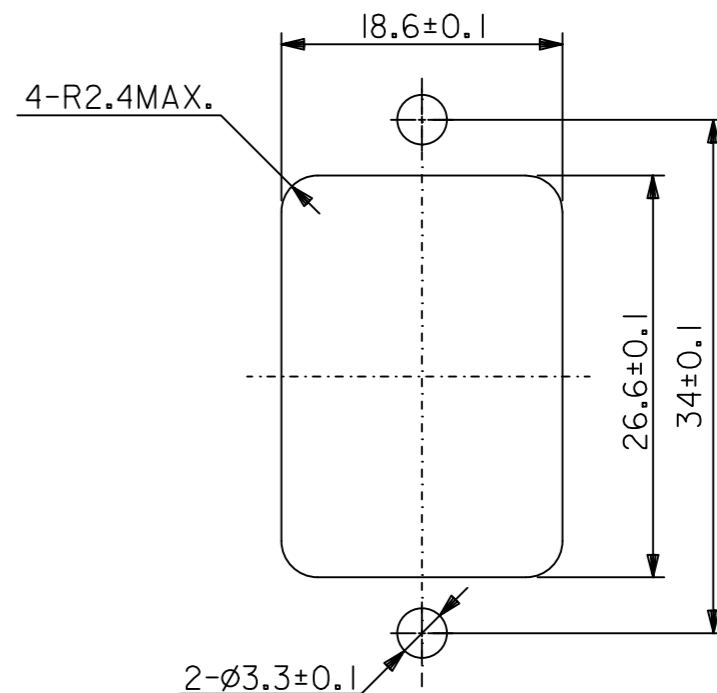


ハウジング挿入方向キー  
POLARIZATIONS KEY FOR HOUSING



パネル後面取り付け  
REAR MOUNT TYPE



推奨パネル切り取り寸法 (後面取り付け)  
RECOMMENDED PANEL OPENING (REAR MOUNTING)

注記  
NOTES

- 材質  
MATERIAL  
亜鉛合金, ニッケルメッキ  
ZINC ALLOY, NI PLATING
- 適用ハウジングアッセンブリ: 51233-121\* (PIN HS'G ASS'Y)  
51238-121\* (SOCKET HS'G ASS'Y)  
55890-041\* (PIN HS'G ASS'Y)  
51300-041\* (SOCKET HS'G ASS'Y)  
APPLICABLE HOUSING ASS'Y: 51233-121\* (PIN HS'G ASS'Y)  
51238-121\* (SOCKET HS'G ASS'Y)  
55890-041\* (PIN HS'G ASS'Y)  
51300-041\* (SOCKET HS'G ASS'Y)
- 推奨ねじ締め付けトルク: 5~6 kgf・cm  
RECOMMENDED SCREW TIGHTENING TORQUE: 5~6 kgf・cm

563771201	56377-1201	56377-****
MATERIAL NO.	ENG. NO.	MODEL NO.

FUNCTIONAL SYMBOLS F=0 E=0 P=0	THIS DRAWING CONTAINS INFORMATION THAT IS PROPRIETARY TO MOLEX ELECTRONIC TECHNOLOGIES, LLC AND SHOULD NOT BE USED WITHOUT WRITTEN PERMISSION													
	DIMENSION UNITS MM		SCALE 2:1		CURRENT REV DESC: CONVERTED TO AUTOCAD. TRADEMARK LOGO "MOLEX" CHANGED									
	GENERAL TOLERANCES (UNLESS SPECIFIED)													
	4 PLACES ±---		mm		INCH		EC NO: 652148				COMPACT ROBOT CONN. (CRC) RECEPTACLE SHELL			
3 PLACES ±---		mm		INCH		DRWN: ABENJAMINLW 2020/11/26				PRODUCT CUSTOMER DRAWING				
2 PLACES ±---		mm		INCH		CHK'D: MBIZZOZERO 2021/03/02								
1 PLACE ±---		mm		INCH		APPR: MBIZZOZERO 2021/03/02				DOCUMENT NUMBER SD-56377-007				
0 PLACES ±---		mm		INCH		INITIAL REVISION: DRWN: SAKIYAMA 2001/03/07						DOC TYPE/DOC PART/REVISION PSD/001/A1		
ANGULAR TOL ± --- °		mm		INCH		APPR: SAKIYAMA 2001/03/07				SHEET NUMBER 1 OF 1				
DRAFT WHERE APPLICABLE MUST REMAIN WITHIN DIMENSIONS					THIRD ANGLE PROJECTION		DRAWING B-SIZE		SERIES 56377		MATERIAL NUMBER SEE CHART		CUSTOMER GENERAL MARKET	