

■ Features

- Single output from 15-18W
- 100-240Vac Universal Input
- Efficiency Level: VI
- Over Current Protection
- Short Circuit Protection
- LPS Rated Products
- Class II construction
- Interchangeable AC blades: US, UK, EU, AU, CN
- MTBF: 50,000 hours
- Case options: Space saver design upon availability
- Dimension: 74x48.7x58mm(Space saver)



*Product images are for illustrative purposes only and may vary from actual design.

Custom Designs Available!

■ Application

- Consumer electronics, Telecom and office equipment
- Industrial equipment

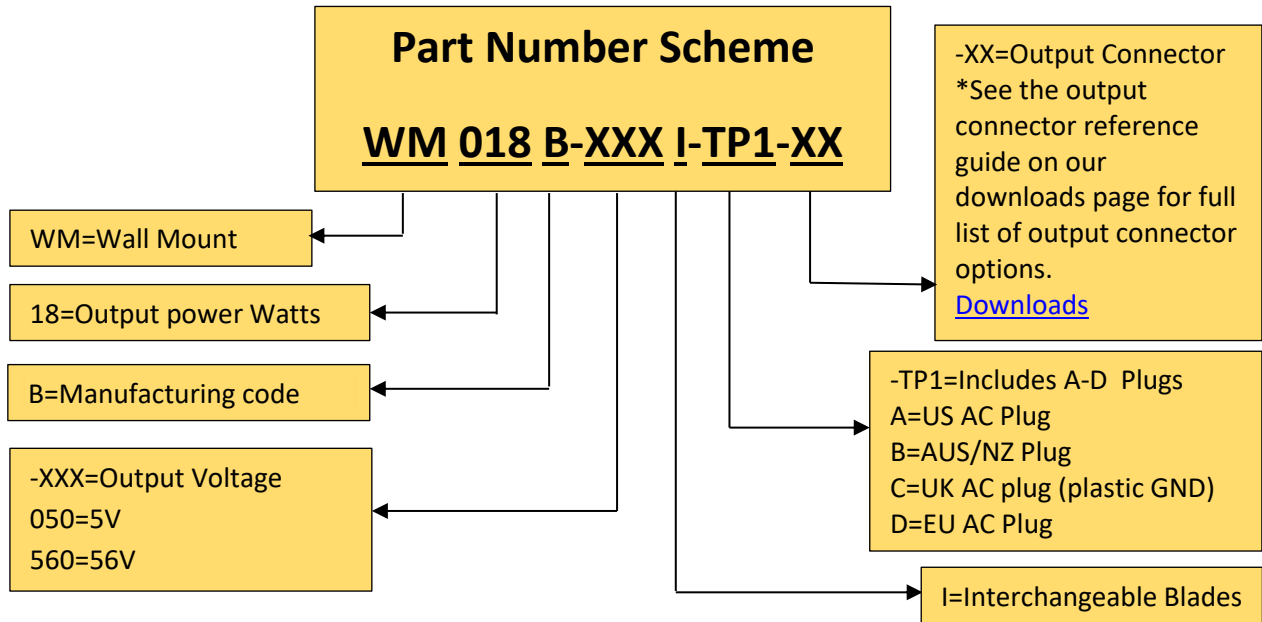
■ Model List

Model	Output Voltage	Output Current	Power	Certifications
WM018B-050I-TP1-XX	5V	3A	15W	UL/cUL
WM018B-090I-TP1-XX	9V	2A	18W	UL/cUL
WM018B-120I-TP1-XX	12V	1.5A	18W	UL/cUL
WM018B-150I-TP1-XX	15V	1.2A	18W	UL/cUL
WM018B-190I-TP1-XX	19V	0.95A	18W	UL/cUL
WM018B-240I-TP1-XX	24V	0.75A	18W	UL/cUL
WM018B-280I-TP1-XX	28V	0.64A	18W	UL/cUL
WM018B-360I-TP1-XX	36V	0.5A	18W	UL/cUL
WM018B-480I-TP1-XX	48V	0.37A	18W	UL/cUL
WM018B-560I-TP1-XX	56V	0.32A	18W	UL/cUL

■ Interchangeable Blade Types



Technical Sales / Customer Service: +1-818-338-7788 • Email: sales@autec.com
 31328 Via Colinas Suite 102 • Westlake Village, CA 91362 USA • www.autec.com



***Some Safety Agency Approvals may differ from what is shown. Contact Autec Sales!**

***Product images are for illustrative purposes only and may vary from actual design.**

***Specifications are subject to change without notice. Autec is not responsible for issues arising from errors or omissions.**