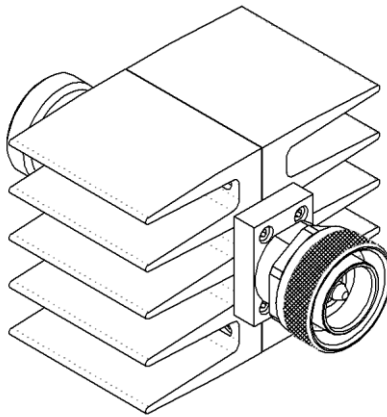
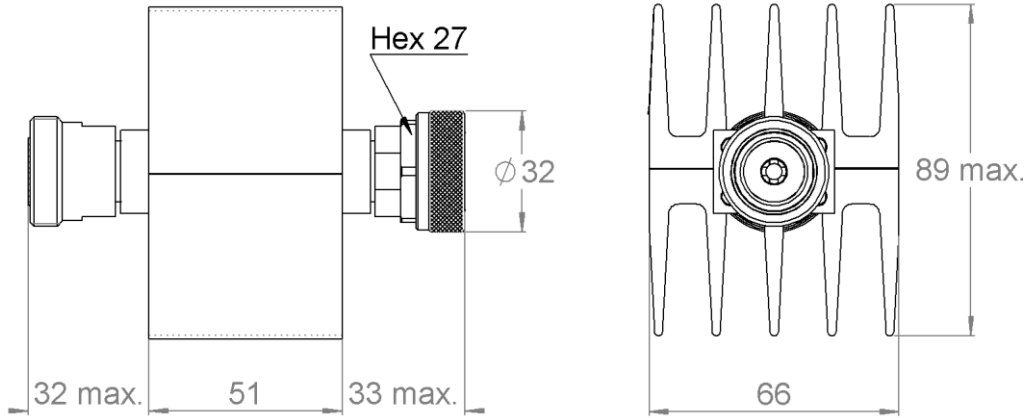
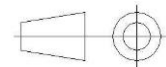


| | | | |
|----------|------------------------|-----------------------------|-------------------------------|
| PAGE 1/2 | ISSUE 09-10-18B | SERIES ATTENUATOR | PART NUMBER R420006110 |
|----------|------------------------|-----------------------------|-------------------------------|



All dimensions are in mm. Tolerances according ISO 2768 m-H



| COMPONENTS | MATERIALS | PLATING (μm) |
|-----------------------|-------------------------|--|
| Body | BRASS | BBR 3 |
| Male center contact | BERYLLIUM COPPER | GOLD 0.5 OVER NICKEL PHOSPHORUS 2 |
| Female center contact | BERYLLIUM COPPER | GOLD 0.5 OVER NICKEL PHOSPHORUS 2 |
| Outer contact | BRASS | BBR 0.5 OVER SILVER 5 |
| Insulator | PTFE | |
| Gasket | SILICONE RUBBER | |
| Substrate | ALUMINA | |
| Resistor | THICK FILM | |
| Others parts | ALUMINIUM | BLACK PAINTING |

| | | | |
|----------|------------------------|-----------------------------|-------------------------------|
| PAGE 2/2 | ISSUE 09-10-18B | SERIES ATTENUATOR | PART NUMBER R420006110 |
|----------|------------------------|-----------------------------|-------------------------------|

ELECTRICAL CHARACTERISTICS

| | | | |
|----------------------|---------------|--------------|--------------|
| Frequency (GHz) | DC - 1 | 1 - 2 | 2 - 3 |
| V.S.W.R (\leq) | 1.10 | 1.25 | 1.35 |
| Deviation(\pm dB) | 0.70 | 0.70 | 0.70 |

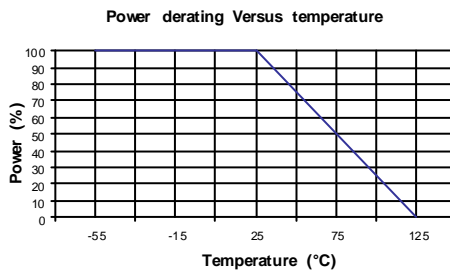
| | | |
|------------------------------------|---------------|-----------------------|
| Operating Frequency Range | DC - 3 | GHz |
| Impedance | 50 | Ω |
| Nominal Attenuation | 6 | dB |
| Peak power at 25°C (1 μ s, 1%) | 5000 | W |
| Average power at 25°C | 50 | W (Free Air Cooled) |
| | | W (Conduction Cooled) |

MECHANICAL CHARACTERISTICS

| | | | |
|------------|-----------------|--------------------|------------------|
| Connectors | 7-16 | Male Female | IEC 169-4 |
| Weight | 535,9200 | g | |

ENVIRONMENTAL CHARACTERISTICS

| | | |
|-----------------------------|------------------|--------------------|
| Operating temperature range | -55 /+125 | $^{\circ}\text{C}$ |
| Storage temperature range | -55 /+125 | $^{\circ}\text{C}$ |


SPECIFICATION
OTHER CHARACTERISTICS