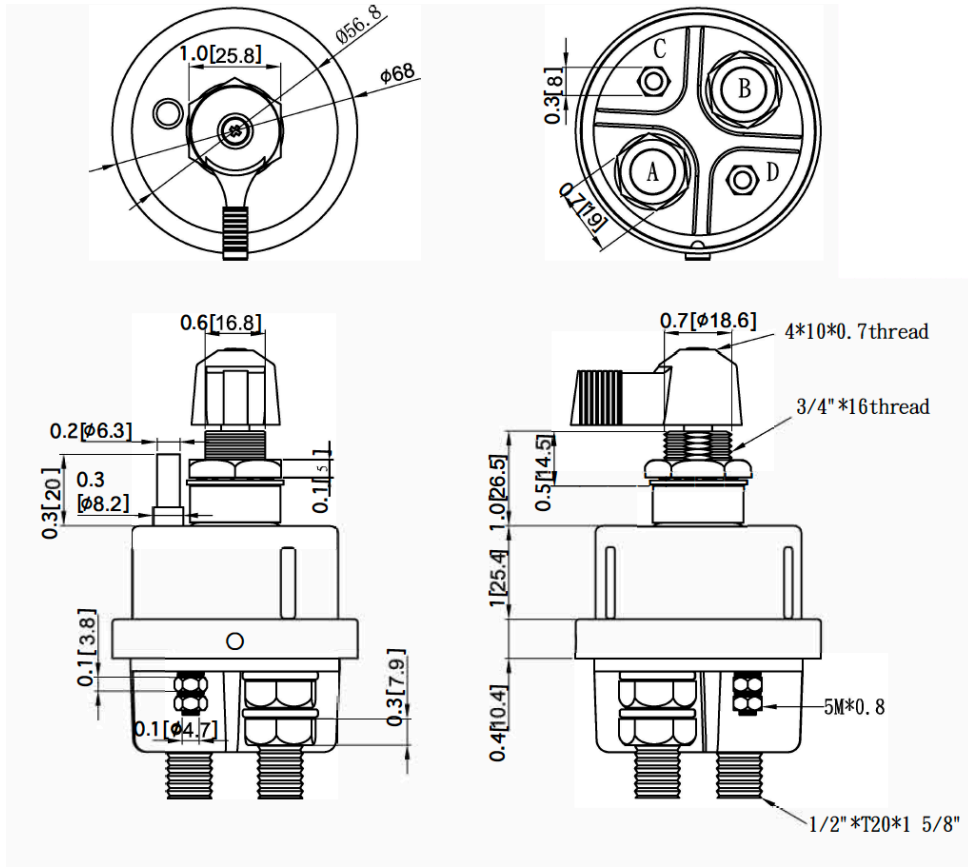
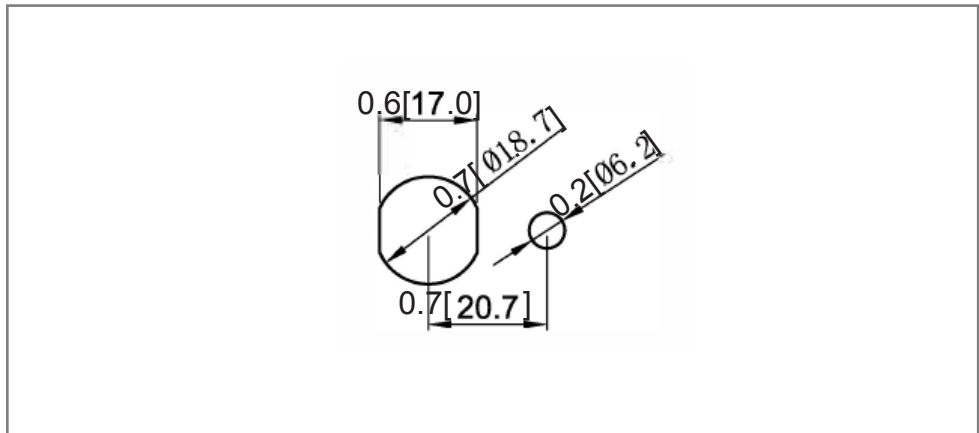


Mechanical Dimensions: Inches [mm]

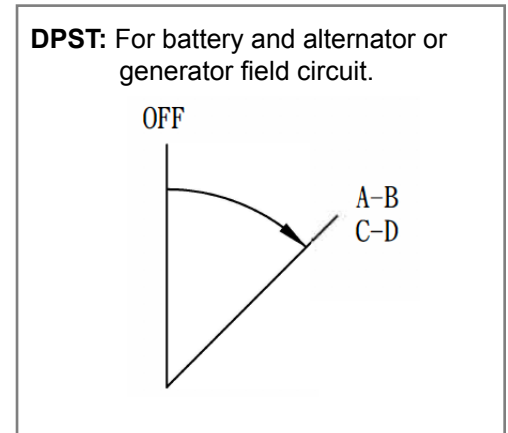
Tolerances ± 0.012 [0.5] Unless Otherwise Specified



Mounting Hole



Circuit Diagram



Electrical Specifications

Continuous Rating	300A 6-36VDC (Large Studs), 20A 6-36VDC (Small Studs)
Intermittent Rating	2000A for 5secs intervals
Inrush Rating	1000A for 30secs intervals
Insulation Resistance	DC 500V 100M ohm Min
Dielectric Strength	AC 1000V 1 minute

Material Specifications

Steel construction
Sealed with O-rings at base and mounting stem
Case and terminal insulator
Copper terminals
IP67

Rev	Date of issue	Revision Notes	Designed	Approved
A	11-12-2019	Initial Drawing	RC	OF