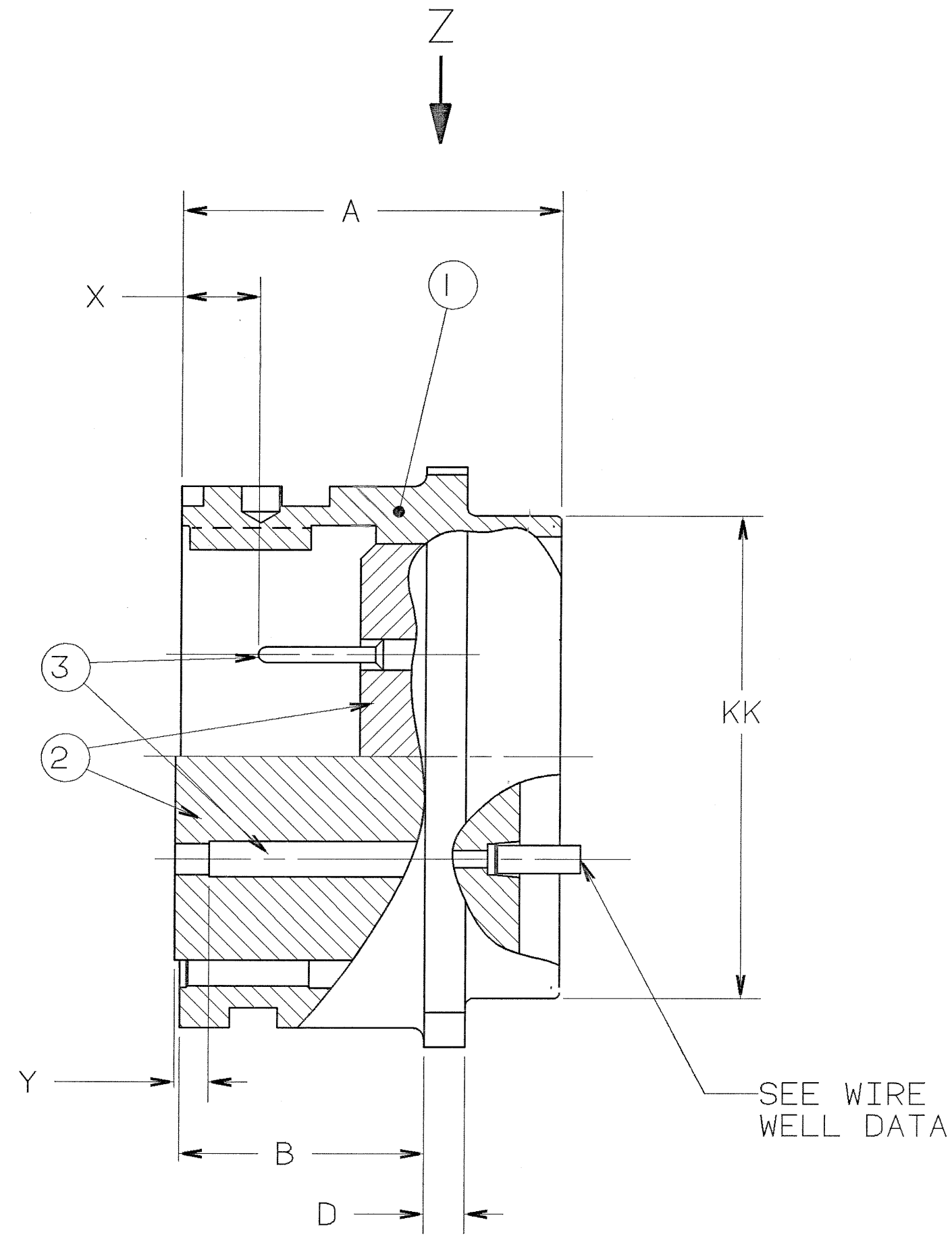
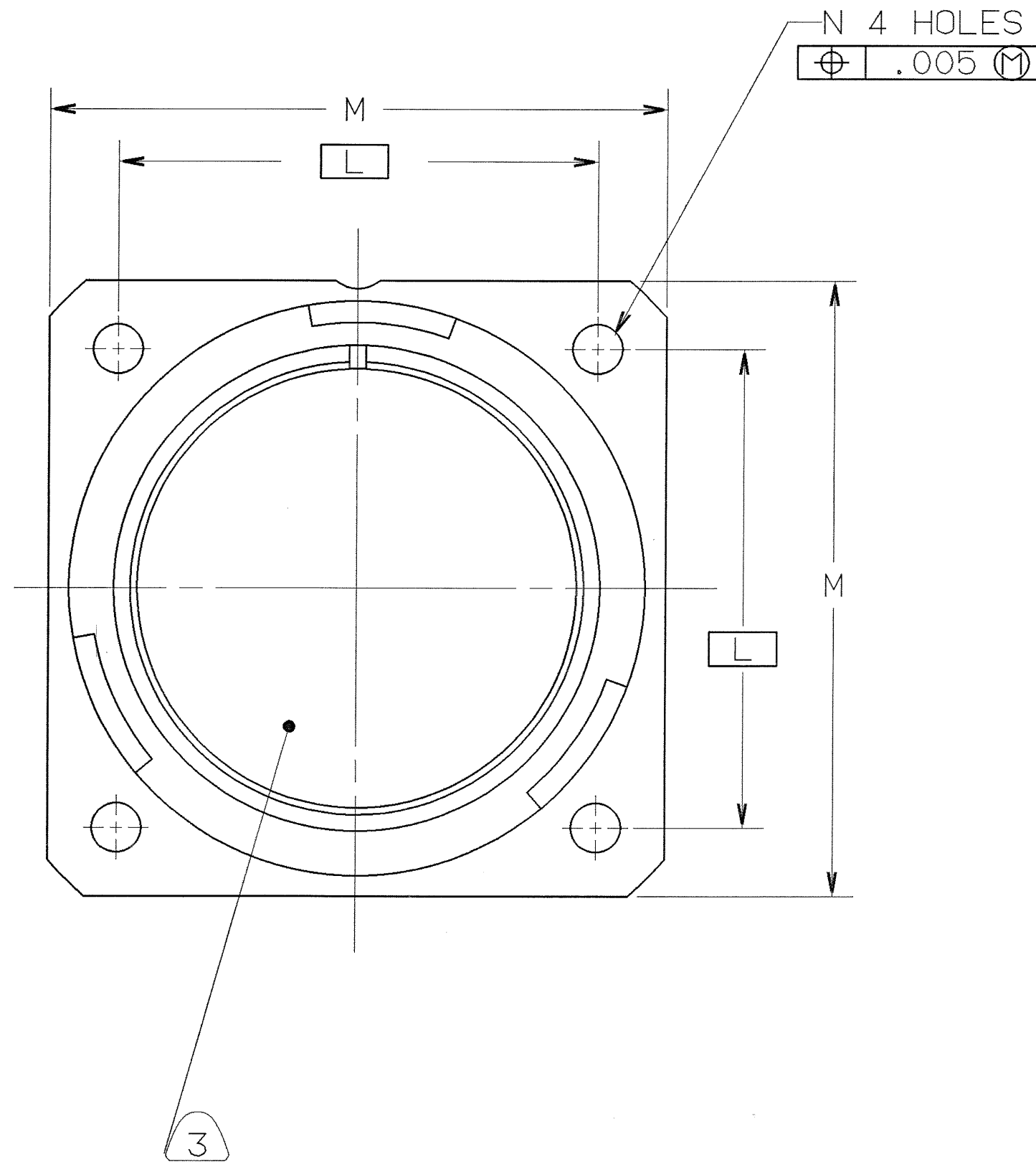


CONTACT SIZE	SHELL SIZE	X	Y ±.040
16 SHORT	10SL, 14S, 16S	.087±.039	.079
16 LONG	14, 16, THRU 40	.260 ⁺ .052 -.041	.102
12	14, 16, THRU 40	.118 ⁺ .039 -.056	.102
4,8,0	14, 16, THRU 40	.091±.039	.102

REVISIONS				
ZONE	LTR	DESCRIPTION	DATE	APPROVED
A		INITIAL RELEASE NUM: 70091-024		
B		(CLII) SEE ECN 27849	7-20-93	<i>Ed J K</i>



SEE SHEET 2
NOTES:

THE USE OF THIS DOCUMENT IS UNLIMITED. HOWEVER, DOCUMENTS REFERENCED HEREON MAY CONTAIN LIMITED RIGHTS DATA.

COMPANY ID: 2
 CODED/MS/CUST: Y
 INTERNAL: N
 LOTNO: N
 DATE CODE: 9-3895
 SEE PRINT: N

UNLESS OTHERWISE SPECIFIED
 LINEAR DIMENSIONS ARE IN INCHES.
 TOLERANCES: .XXX±.010,
 .XX ±.03, .X ±.1, ANGLES ±2°.
 OTHER STANDARDS PER 9-3800
 AND DOD-D-1000. NOTE REF= (XX)

FIND NO.	QTY RECD.	FSCM NO.	PART NUMBER	DESCRIPTION	NOTE REF.
3			SEE NOTE 7	CONTACT	
2	1		10-748XX-XXX	INSERT	
1	1		SEE COLUMN	SHELL	

SIGNATURES			DATES		
PREPARED	MCELLIGOTT		01/04/91		
CHECKED	<i>[Signature]</i>		1-12-91		
APPROVED	<i>[Signature]</i>		1-19-91		
APPROVED	<i>[Signature]</i>		1-17-91		

AMPHENOL CORPORATION BENDIX CONNECTOR OPERATIONS SIDNEY, N.Y.	U
CONNECTOR, ELECTRICAL RECEPTACLE, FRONT PANEL MOUNT, REVERSE BAYONET COUPLING, TYPE GTC02R()-(), SOLDERLESS	
SIZE: D 77820	FSCM NO. 71-580870/889
SCALE: NONE	WT. REF 71-580770/789
	SHEET 1 OF 2

COMPUTER GENERATED DRAWING

00000001 01653

TAB.

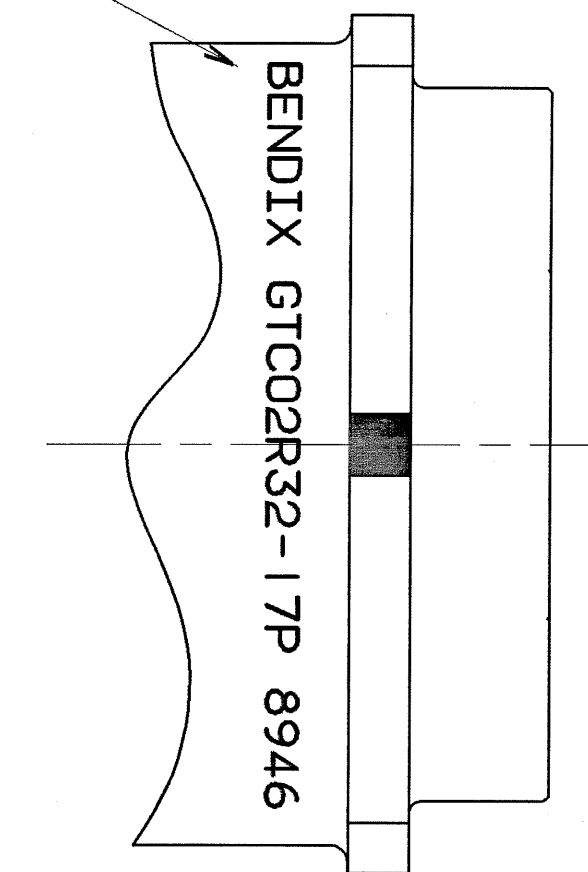
71-580870/889B

ASSEMBLY NUMBER	SHELL SIZE	GT NUMBER	SHELL	A ±.012	B +.016 -.000	D ±.008	L	M ±.012	N DIA +.004 -.000	KK MAX
71-580870-()	8S	NOT AVAILABLE								
71-580871-()	10S	NOT AVAILABLE								
71-580872-()	10SL	GTC02R10SL-()	10-580936-113	.972	.559	.110	.717	1.000	.126	.626
71-580873-()	12S	NOT AVAILABLE								
71-580874-()	12	NOT AVAILABLE								
71-580875-()	14S	GTC02R14S-()	10-580936-143	.972	.559	.126	.906	1.181	.126	.756
71-580876-()	14	NOT AVAILABLE								
71-580877-()	16S	GTC02R16S-()	10-580936-163	.972	.559	.126	.969	1.280	.126	.882
71-580878-()	16	GTC02R16-()	10-580936-173	1.331	.748	.126	.969	1.280	.126	.882
71-580879-()	18	GTC02R18-()	10-580936-183	1.331	.748	.157	1.063	1.378	.126	1.008
71-580880-()	20	GTC02R20-()	10-580936-203	1.331	.748		1.157	1.496	.126	1.142
71-580881-()	22	GTC02R22-()	10-580936-223	1.331	.748		1.252	1.614	.126	1.268
71-580882-()	24	GTC02R24-()	10-580936-243	1.406	.811		1.374	1.752	.146	1.390
71-580883-()	28	GTC02R28-()	10-580936-283	1.406	.811		1.563	2.000	.146	1.630
71-580884-()	32	GTC02R32-()	10-580936-323	1.469	.874		1.752	2.244	.169	1.882
71-580885-()	36	GTC02R36-()	10-580936-363	1.469	.874		1.937	2.500	.169	2.063
71-580886-()	40	GTC02R40-()	10-580936-403	1.469	.874		2.185	2.752	.169	2.323
71-580887/889		NOT AVAILABLE								

TO COMPLETE, ADD APPLICABLE INSERT ARRANGEMENT SUFFIX PER 9-2437

WIRE WELL DATA					
CONTACT SIZE	0	4	8	12	16
WELL DIA	.453±.005	.281+.005 -.004	.179+.004 -.002	.098+.004 -.001	.063+.004 -.001
WELL DEPTH +.031 -.000	.750	.500	.500	.250	.250

BLACK INK STAMP PER 9-3856-5
"BENDIX", GT NUMBER (SEE COLUMN)
& DATE CODE (9-3895).
CHARACTERS TO BE .094-.125 HIGH.
AND LOCATED APPROX AS SHOWN
EXAMPLE:
BENDIX GTC02R32-17P 8946



VIEW AT Z

9. FOR FINAL INSTALLATION, CONTACTS MUST BE ASSEMBLED INTO ALL INSERT HOLES. CONTACTS ARE SHIPPED UNASSEMBLED.
8. PACKAGE PER PRODUCTION PROCESS SHEET.
7. SEE SEPARATE PARTS LIST FOR COMPONENT PART NUMBERS AND QUANTITIES.
6. FOR MATING CONNECTOR ASSEMBLIES, SEE 71-580450/469 & OTHERS.
5. SEE WORK ORDER FOR PERMISSIBLE ADDITIONAL OR ALTERNATE STAMPING.
4. PROCESS SPEC:
ASSY 9-9238
TEST 9-3106-18
9-3856-5, 9-3895, 9-2437
3. INSERTS ARE NOT REMOVABLE.
2. FOR CONTACT SIZE, SPACING & SERVICE RATING, SEE MIL-STD-1651 OR L-11908-()/L-11948-().
1. UNITS MEET THE APPLICABLE REQUIREMENTS OF MIL-C-5015.

NOTES:

THE USE OF THIS DOCUMENT IS UNLIMITED. HOWEVER, DOCUMENTS REFERENCED HEREON MAY CONTAIN LIMITED RIGHTS DATA.

SIZE	FSCM NO.	REV.
D	77820	B
SCALE	WT.	REF.
		SHEET 2