

Customer Information Sheet

DRAWING No.: G125-324XX96M5

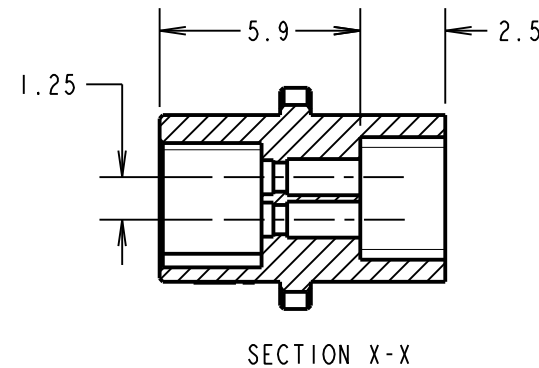
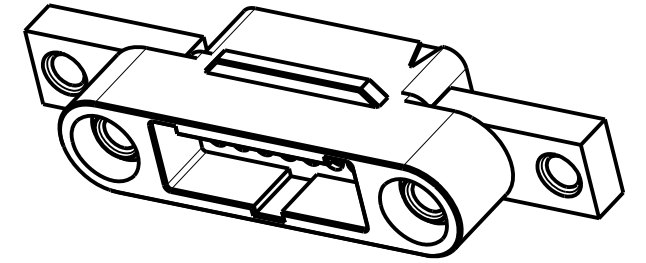
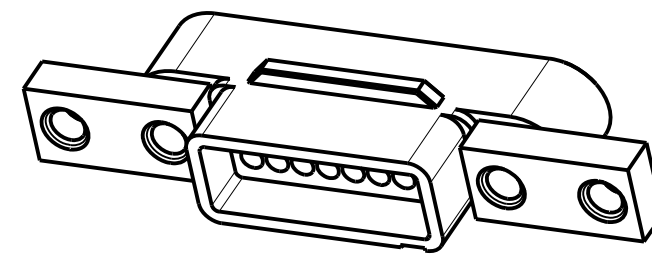
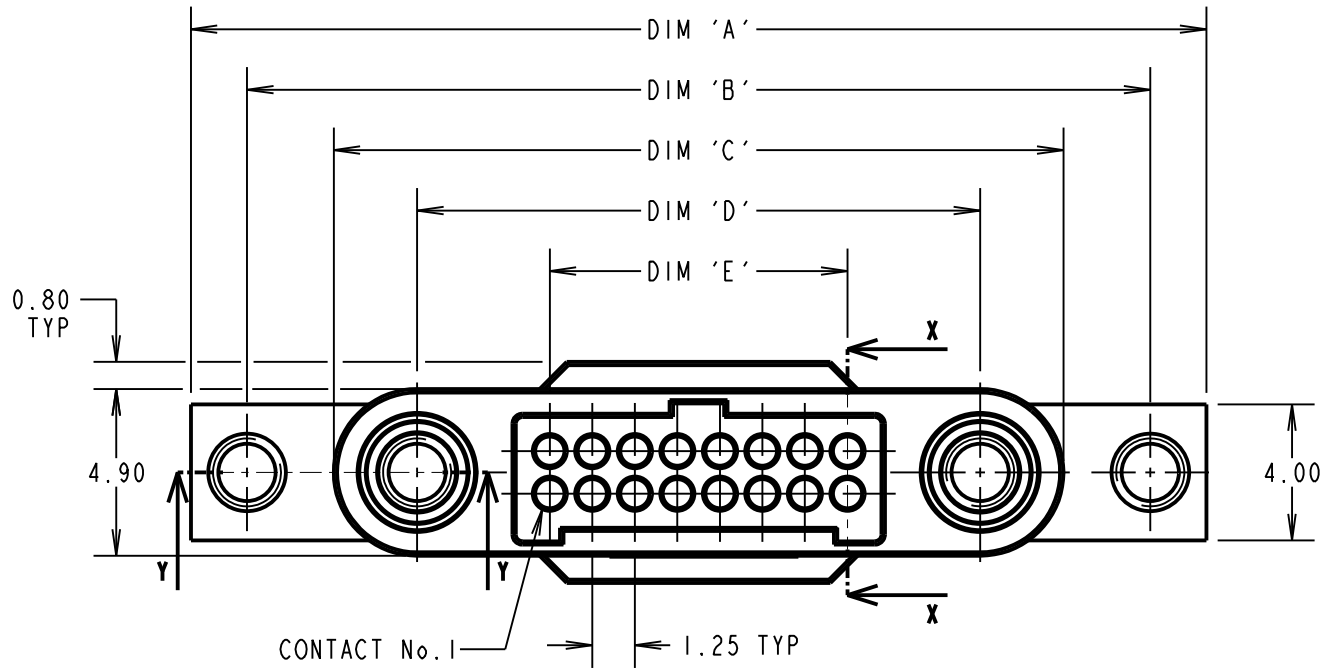
IF IN DOUBT - ASK

©

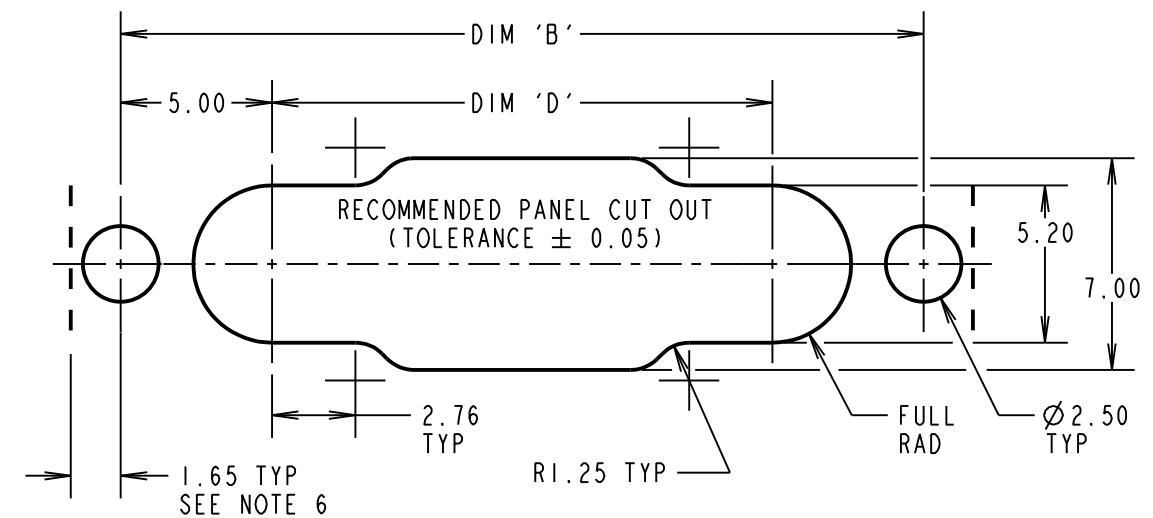
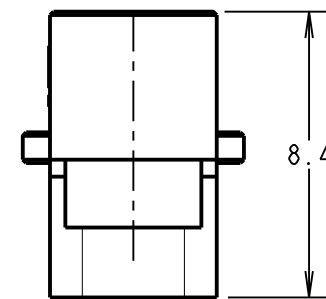
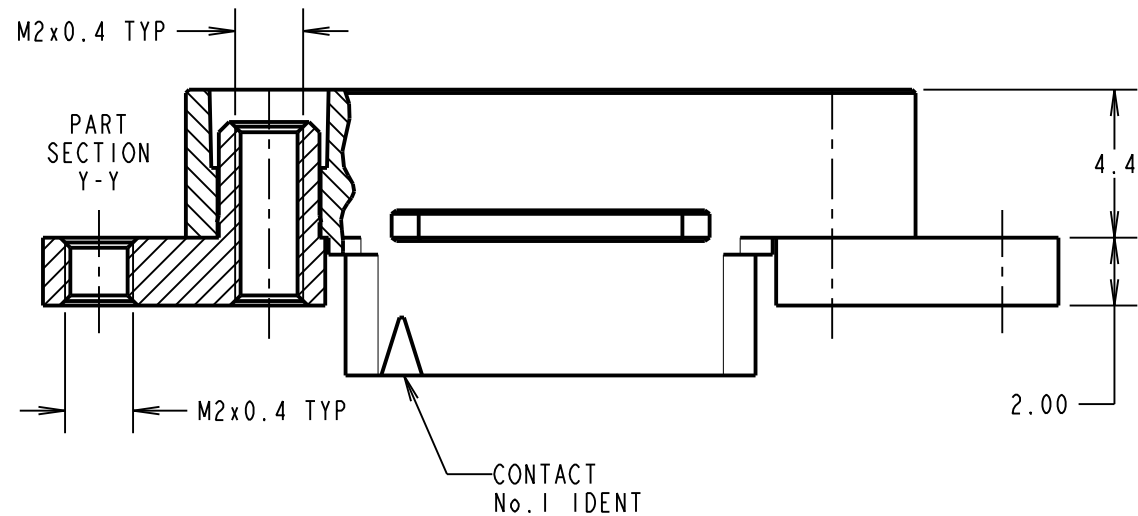
NOT TO SCALE

THIRD ANGLE PROJECTION

ALL DIMENSIONS IN mm



PATENTED TECHNOLOGY



NOTES:

1. PACK SIZE: 10 PER BAG.
2. HOUSING TO BE USED WITH G125-1010005 (FOR 26AWG) AND G125-1020005 (FOR 28-32AWG) MALE CRIMP CONTACTS, OR G125-0200005 BLANKING PLUG.
3. FOR ASSEMBLY INSTRUCTIONS SEE INSTRUCTION SHEET IS-38.
4. FOR MATERIALS, FINISH AND SPECIFICATIONS SEE GECKO SERIES SPECIFICATION SUMMARY SHEET OR COMPONENT SPECIFICATION C125XX (LATEST ISSUE) FOR FULL SPECIFICATION.
5. DRAWING SHOWS HOUSING WITH 16 CONTACT POSITIONS.
6. CLEARANCE REQUIRED BEHIND PANEL FOR HARDWARE.
7. RECOMMENDED HEX SCREW FOR MOUNTING ON PANELS UP TO 3mm MAX THICKNESS: G125-4520000B.

RTP	2	14.06.21	30588
NAME	ISS.	DATE	CN/CO
APPROVED: R.PORTLOCK			
CHECKED: R.ALEXANDER			
DRAWN: R.ALEXANDER			
CUSTOMER REF.:			
ASSEMBLY DRG:			

PART NUMBER	DIM 'A'	DIM 'B'	DIM 'C'	DIM 'D'	DIM 'E'
G125-3240696M5	23.6	20.3	15.2	10.30	2.50
G125-3241096M5	26.1	22.8	17.7	12.80	5.00
G125-3241296M5	27.4	24.1	19.0	14.05	6.25
G125-3241696M5	29.9	26.6	21.5	16.55	8.75
G125-3242096M5	32.4	29.1	24.0	19.05	11.25
G125-3242696M5	36.1	32.8	27.7	22.80	15.00
G125-3243496M5	41.1	37.8	32.7	27.80	20.00
G125-3245096M5	51.1	47.8	42.7	37.80	30.00

ORDER CODE: **G125-324XX96M5**

TOTAL No. OF CONTACTS: 16, 20, 26, 34 & 50.

HARWIN

www.harwin.com
technical@harwin.com

THIS DRAWING AND ANY INFORMATION OR DESCRIPTIVE MATTER SET OUT HEREON ARE CONFIDENTIAL AND COPYRIGHT PROPERTY OF THE HARWIN GROUP AND MUST NOT BE DISCLOSED, LOANED, COPIED OR USED FOR MANUFACTURING, TENDERING OR FOR ANY OTHER PURPOSE WITHOUT THEIR WRITTEN PERMISSION.

TOLERANCES
X. = ± 1 mm
X.X = ± 0.50 mm
X.XX = ± 0.20 mm
X.XXX = ± 0.01 mm
ANGLES = $\pm 5^\circ$
UNLESS STATED

MATERIAL: SEE ABOVE
FINISH: SEE ABOVE
S/AREA: mm²

TITLE: GECKO-SL SERIES MALE CABLE HOUSING WITH REAR PANEL MOUNT HARDWARE
DRAWING NUMBER: **G125-324XX96M5**
SHT 3 OF 3