

MIL-COTS 20A, 40Vdc Active EMC Filters

<http://product.tdk.com/en/power/fqb>
www.emea.lambda.tdk.com/fqb



COTS

The FQB filter modules have been designed to reduce differential and common mode conducted emissions from dc-dc switching converters. In addition, the series contains active suppression circuitry to block input voltage surges and transients. The FQB takes advantage of TDK technologies to simplify system level compliance to MIL-STD-461, MIL-STD-1275, RTCA/DO-160 and MIL-STD-704 per MIL-HDBK-704-8. The encapsulated rugged package design and a choice of baseplate options make the modules suitable for use in a wide variety of harsh and demanding environments, including MIL-COTS.

Features	Benefits
• Filtering for Compliance to MIL-STD-461(F,G)	• Simplifies the system EMC filter
• Input Spike and Surge Suppression per MIL-STD-1275(D,E), MIL-STD-704(A-F) and RTCA/DO-160G (Sec 16-18)	• Suitable for vehicle and airborne use
• High Differential and Common Mode Noise Attenuation	• Reduces system EMI
• -55 to 115°C Temperature Range (M-Grade)	• For operation in harsh environments
• Standard (S-Grade) or Enhanced Screening (M-Grade) Options	• Reduces cost for COTS applications
• Quarter Brick Size	• Industry standard mounting and heatsinks

Model Selector						
Model	Operating Input Voltage (Vdc)	Maximum Current (A)	Flanged Baseplate	Non-Flanged Baseplate	Standard Screening (-S)	Enhanced Screening (-M)
FQB020ADC-007-S	8.5 to +40	20	X		X	
FQB020ADC-N07-S	8.5 to +40	20		X	X	
FQB020ADC-007-M	8.5 to +40	20	X			X
FQB020ADC-N07-M	8.5 to +40	20		X		X

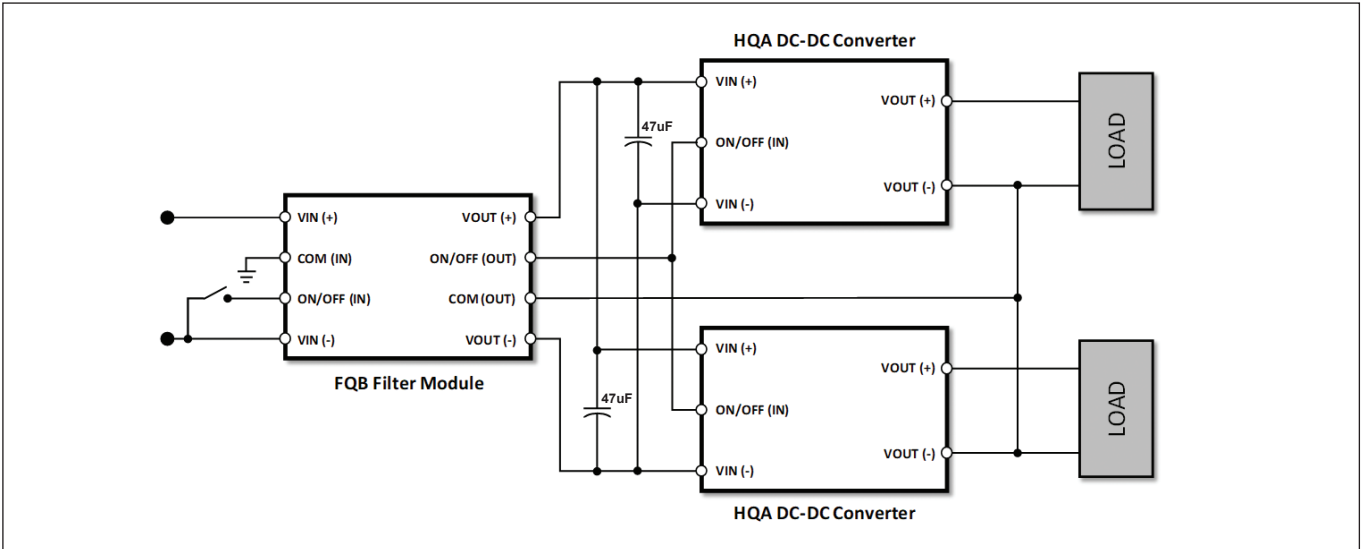
Screening Options		
Operation	S-Grade (Standard Screening)	M-Grade (Enhanced Screening)
Functional Test	Room and Hot Test	Cold, Room, and Hot Test
Burn in	Yes	Extended, 96 hour
Temperature Cycling	No	10 Cycles
Hi-Pot	2250VDC	2250VDC
Visual Inspection	Yes	Yes

Related Products		
Evaluation Kit	FQX-HQA-EVK-D0	Evaluation board for FQA or FQB filter plus two (2) HQA DC-DC quarter brick modules. Filter and DC-DC modules are not included.
Filter Module	FQA	MIL-COTS 20A, 40 V Passive EMC Filter
Isolated DC-DC Converter	HQA120	120W MIL-COTS, Input 9-40V, Isolated Quarter Brick with M-Grade screening available
Isolated DC-DC Converter	HQA85	85W MIL-COTS, Input 9-40V, Isolated Quarter Brick
Isolated DC-DC Converter	GQA	120W Industrial, Input 9-36V, Isolated Quarter Brick

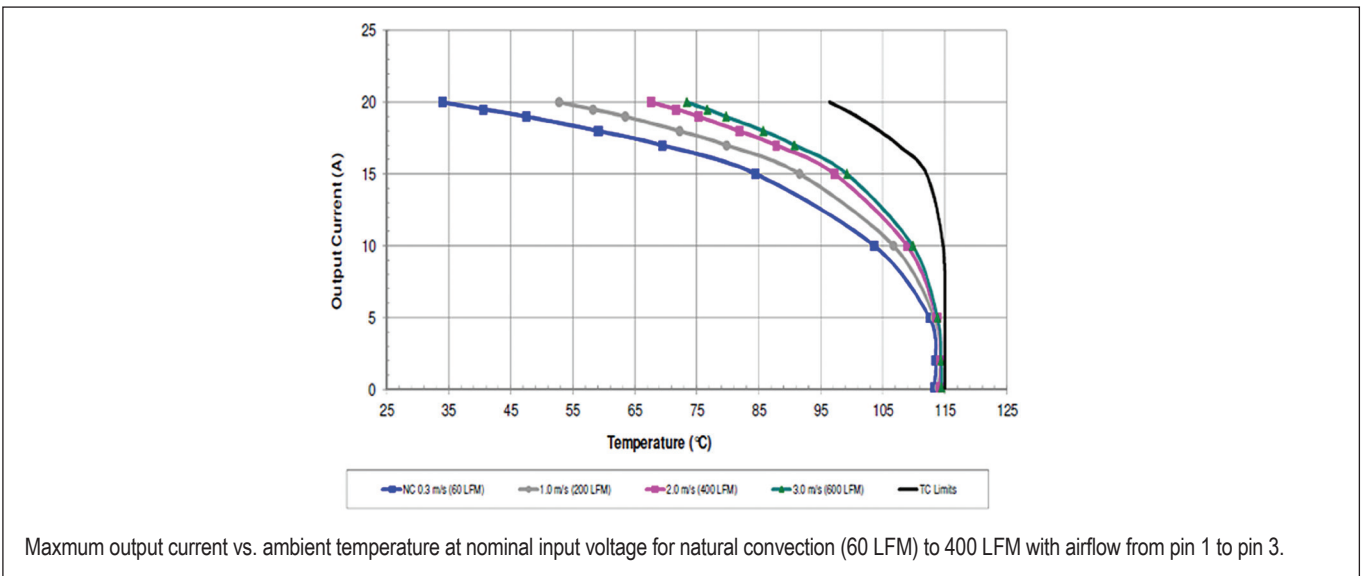
Specifications			
Model		FQB	
Input/Output			
Input Voltage range	Vdc	Continuous: -40 to +40V. Transient: -50 to +210V (t < 1s. Varies with load, refer to input surge voltage suppression row).	
Input Voltage Spike Suppression (Vin 28V, 280W)	V	Typically 5V deviation for a ±250V, 100µs, 15mJ surge per MIL-STD-1275E Typically 5V deviation for a ±600V, 10µs, 50Ω source impedance per RTCA/DO-160G	
Input Voltage Surge Suppression (Vin 28V)	V	47V maximum output with a 60V, 550ms surge per MIL-HDBK-704-8 (Po = 280W) 47V maximum output with an 80V, 80ms surge per MIL-HDBK-704-8 (Po = 280W) 47V maximum output with an 100V, 50ms surge per MIL-STD-1275(D,E) (Po = 280W) 47V maximum output with an 174V, 350ms surge per DEF-STAN 61-5 Part 6, (Po < 75W)"	
Turn On/Off Voltage (Typical)	Vdc	Turn on: 8.5V, turn off: 8.3V	
Input Under & Over Voltage Protection	-	Module shuts down if an input or over voltage condition occurs. Auto recovery.	
Reverse Polarity Protection	-	Internal series MOSFET is held in an off state to avoid reverse current flow	
Input Current (Maximum)	A	20A	
Overcurrent Protection	-	Limits the output current, with timed shutdown to allow module to cool. Auto restart.	
No Load Input Current (Typical at 28V Input)	mA	3mA. 1.5mA if module is turned off using the remote on/off.	
DC Resistance (Typical)	mΩ	Positive leg: 25mΩ, negative leg: 5mΩ	
Power Loss	W	Typically 12.5W at 20A	
Remote On/Off	-	Module is ON when Pin 2 is left open; off when Pin 2 is connected to Pin 3 (-Vin)	
DC Good / Fault Signal	-	Open collector signal, low = Good	
Output Capacitance	µF	3,000µF maximum. Contact factory for higher values.	
Differential Mode Attenuation at 300kHz	dB	50dB (typical with a 50Ω source & load impedance)	
Common Mode Attenuation at 1MHz	dB	30dB (typical with a 50Ω source & load impedance)	
Qualification Methods	-	Consistent with MIL-STD-883F and MIL-STD-202G	
Compliance Testing (2)	(Tested to the most stringent listed)		
	Radiated Emissions	RE101	Navy
		RE102	10kHz to 18GHz Fixed Wing internal, >25m Nose to Tail
	Conducted Emissions	CE101	Surface ships and submarines
		CE102	Basic Curve
	Conducted Susceptibility	CS101	Curve 2, Imax=10A
		CS114	Curve 5
		CS115	Basic Test Signal
CS116		10kHz to 100MHz	
Safety Agency Certifications	-	IEC/UL/CSA/EN62368-1, 60950-1, CE Mark	
Environmental			
Operating Baseplate Temperature (max) ⁽¹⁾	°C	Standard screening (-S): -40°C to +115°C, Enhanced screening (-M): -55°C to +115°C	
Storage Temperature	°C	-65 to 125°C	
Operating Humidity (non condensing)	%RH	MIL-STD 883 Method 1004.7	
Cooling	-	Conduction, convection or forced air	
Withstand Voltage (For 1 minute)	VAC	Terminals to Case: 2250Vdc	
Vibration	-	MIL-STD-202G, Method 201A, Unpowered, sweep 1: 5 to 50 Hz at 0.5g, sweep 2: 50 to 500 Hz at 1.5g, three axis	
Shock	-	MIL-STD-202G, Method 213B, Table 213-1, Test Condition I, Unpowered, 50G half sine 6ms, three axis	
Other			
Weight (Typ)	g	100g (Flanged version)	
Size (LxWxH)	mm	Flanged version: 60.6 x 55.9 x 12.7, Non-flanged version: 60.6 x 39 x 12.7	
Size (LxWxH)	Inches	Flanged version: 2.39 x 2.2 x 0.5", Non-flanged version: 2.39 x 1.54 x 0.5"	
MTBF - Telcordia SR-332 issue 3	Hours	50°C ambient, full load: 11,000,000 hours	
Warranty	Years	3	

Notes
 See website for detailed [specifications](#)
 1. See thermal performance section
 2. Tested using TDK-Lambda evaluation kit containing FQB020ADC-007-S transient filter, combined with HQA2W120W280V-007-S and HQA2W120W050V-007-S power modules and a 200W resistive load.

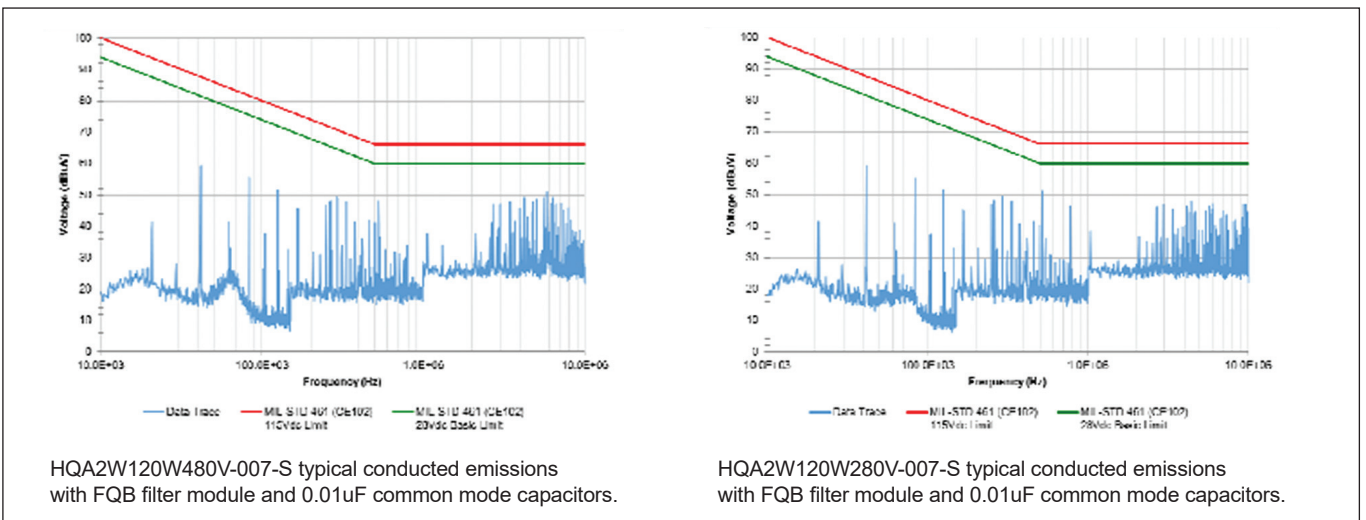
Typical Connection Diagram



Thermal Performance

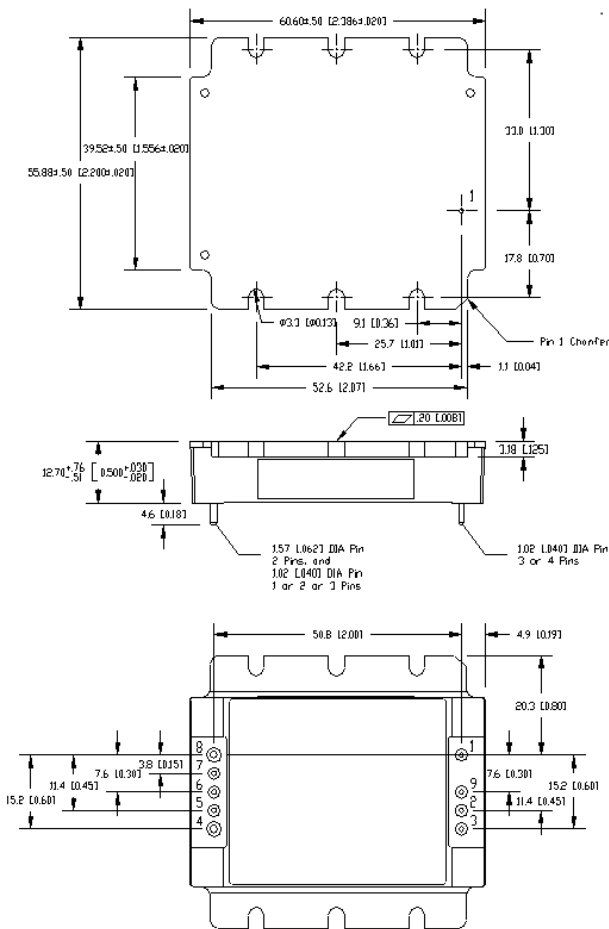


Attenuation Characteristics



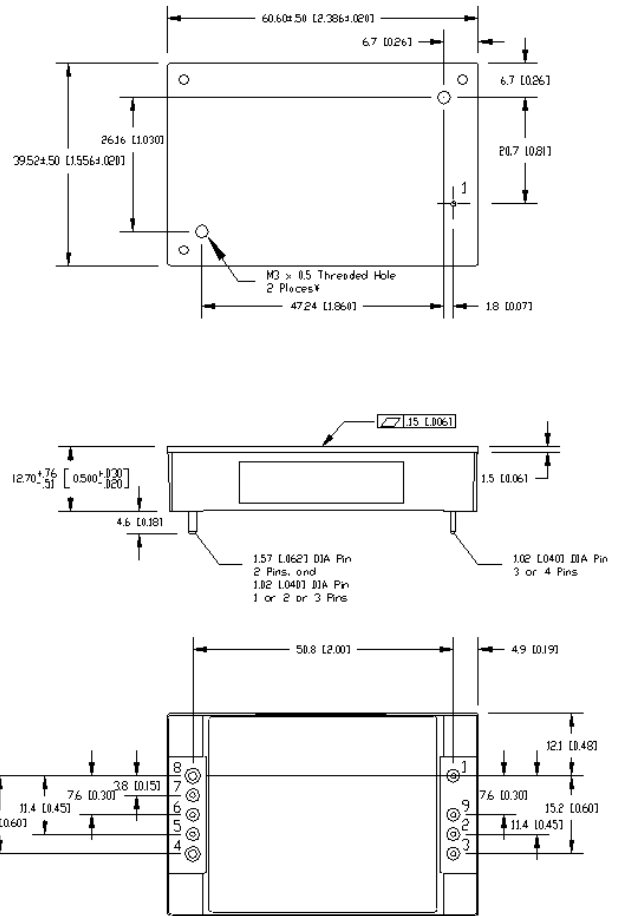
Outline Drawing

007 option (flange baseplate)



Outline Drawing

N07 option (non flange baseplate)



Pinout

PIN	Function
1	VIN (+)
2	ON / OFF (Input)
3	VIN (-)
4	VOU (-)
5	No connection
6	COM (OUT)*
7	DC Good / ON/OFF (OUT)
8	VOU (+)
9	COM (IN)*

* In a typical application pin 6 would be connected to the Vout-/ground plane and pin 9 to chassis/ground for EMI measurement



TDK-Lambda France SAS

Tel: +33 1 60 12 71 65
 tf.fr.powersolutions@tdk.com
 www.emea.lambda.tdk.com/fr



Italy Sales Office

Tel: +39 02 61 29 38 63
 tf.it.powersolutions@tdk.com
 www.emea.lambda.tdk.com/it



Netherlands

tf.nl.powersolutions@tdk.com
 www.emea.lambda.tdk.com/nl



TDK-Lambda Germany GmbH

Tel: +49 7841 666 0
 tg.powersolutions@tdk.com
 www.emea.lambda.tdk.com/de



Austria Sales Office

Tel: +43 2256 655 84
 tg.at.powersolutions@tdk.com
 www.emea.lambda.tdk.com/at



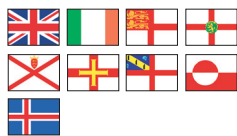
Switzerland Sales Office

Tel: +41 44 850 53 53
 tg.ch.powersolutions@tdk.com
 www.emea.lambda.tdk.com/ch



Nordic Sales Office

Tel: +45 8853 8086
 tg.dk.powersolutions@tdk.com
 www.emea.lambda.tdk.com/dk



TDK-Lambda UK Ltd.

Tel: +44 (0) 12 71 85 66 66
 tlu.powersolutions@tdk.com
 www.emea.lambda.tdk.com/uk



TDK-Lambda Ltd.

Tel: +9 723 902 4333
 tli.powersolutions@tdk.com
 www.emea.lambda.tdk.com/il-en



TDK-Lambda Americas

Tel: +1 800-LAMBDA-4 or 1-800-526-2324
 tia.powersolutions@tdk.com
 www.us.lambda.tdk.com



TDK Electronics do Brasil Ltda

Tel: +55 11 3289-9599
 sales.br@tdk-electronics.tdk.com
 www.tdk-electronics.tdk.com/en



TDK-Lambda Corporation

Tel: +81-3-6778-1113
 www.jp.lambda.tdk.com



TDK-Lambda (China) Electronics Co. Ltd.

Tel: +86 21 6485-0777
 tlc.powersolutions@tdk.com
 www.lambda.tdk.com.cn



TDK-Lambda Singapore Pte Ltd.

Tel: +65 6251 7211
 tls.marketing@tdk.com
 www.sg.lambda.tdk.com



TDK India Private Limited, Power Supply Division

Tel: +91 80 4039-0660
 mathew.philip@tdk.com
 www.sg.lambda.tdk.com

