



LAYOUT SHOWN AS EXAMPLE

Keying Shown as example

**CHARACTERISTICS**

- Standard : Based on MIL-DTL-38999 Series III
- Shell Material : Aluminium
- Shell Plating : Black Zinc Nickel
- Insulator : Thermoplastic
- Contacts : Copper Alloy
- Seals & Grommet : Silicon Elastomer
- Contact Plating : Gold over copper Alloy 0.8µm minimum
- Durability : 500 Mating cycles
- Delivered with Souriau contacts and Accessories
- Temperature Range : -65°C to +175°C
- Salt Spray : 500 hours
- Mass : 73.03 g ± 10%

Connector dimension	
Dim	Nominal
A	52.4±0.3
B	36.5+0.1/-0.15
R	32.5Max
S	49.2±0.4
W	3+0.9/-0.1
VV THREAD	M31x1-6g

SOURIAU shall not be liable for any non-conformity or damage due to a use of the Products which does not comply with the Specifications issued by either of the Parties or by a third party (professional recommendation, technical notice.)

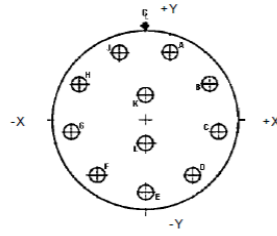
Country	Jurisdiction & Control List
FR	Not Listed

**PN: 8D721Z11SD**

A	08-11-2016	First Release	
ISS	DATE	Latest modification - by	MOD N°
Designed By:		Date:	<b>CUSTOMER DRAWING</b>
<b>TITLE</b>		Aluminium Receptacle 8D series	
SCALE	NA	General linear Tolerances: ±--	NPRDS / PROJECT <b>859</b>
<b>SOURIAU</b>		<b>WWW.SOURIAU.COM</b>	
This document is the property of SOURIAU it must not be reproduced or communicated without permission			
FORMAT	<b>SOURIAU DRG N° 8D721Z11SD-C</b>		SHEET 1/2

BASIC SERIES:	8D	7	-	21	Z	11	S	D	ORIENTATION : D
SHELL TYPE :	Jam nut Receptacle								CONTACT TYPE : SOCKET(500 Matings)
CONTACT TYPE :	Standard Crimp Contact								CONTACT LAYOUT : 21-11
SHELL SIZE :	21								
PLATING :	Z = Black Zinc Nickel								

Contact Layout

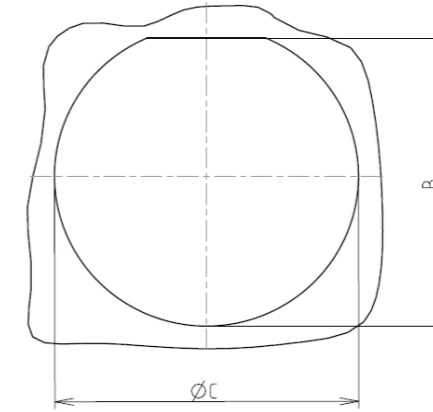


Contacts (Insert arrangement 21-11)					
Contact position ID	Location		Contact position ID	Location	
	X-axis (mm)	Y-axis (mm)		X-axis (mm)	Y-axis (mm)
A	+121 (3.07)	+332 (8.43)	G	-348 (8.84)	-061 (1.55)
B	+306 (7.77)	+177 (4.50)	H	-306 (7.77)	+177 (4.50)
C	+348 (8.84)	-061 (1.55)	J	-121 (3.07)	+332 (8.43)
D	+227 (5.77)	-270 (6.86)	K	+000 (0.00)	+123 (3.12)
E	+000 (0.00)	-353 (8.97)	L	+000 (0.00)	-115 (2.92)
F	-227 (5.77)	-270 (6.86)	---	---	---

Shell size	Arrangement no.	Number of contacts	Size contacts	Service rating	Contact location	Supersedes
21	-11	11	12	I	All	MS20055-11

Panel cutout

JAM NUT RECEPTACLE (TYPE 7)



Max. thickness panel for receptacle: Type 7: 3.2 mm

Dim	Nominal
B	37.08+0/-0.25
ØC	38.35+0.25/-0

SOURIAU shall not be liable for any non-conformity or damage due to a use of the Products which does not comply with the Specifications issued by either of the Parties or by a third party (professional recommendation, technical notice.)

Country	Jurisdiction & Control List
FR	Not Listed

PN: 8D721Z11SD

A	08-11-2016	First Release	
ISS	DATE	Latest modification - by	MOD N°
Designed By:		Date:	<b>CUSTOMER DRAWING</b>
<b>TITLE</b>	Aluminium Receptacle 8D series		
SCALE		General linear Tolerances:	NPRDS / PROJECT
NA		±--	<b>859</b>
<b>SOURIAU</b>	<b>WWW.SOURIAU.COM</b>		This document is the property of SOURIAU it must not be reproduced or communicated without permission
FORMAT	<b>SOURIAU DRG N° 8D721Z11SD-C</b>		SHEET 2/2