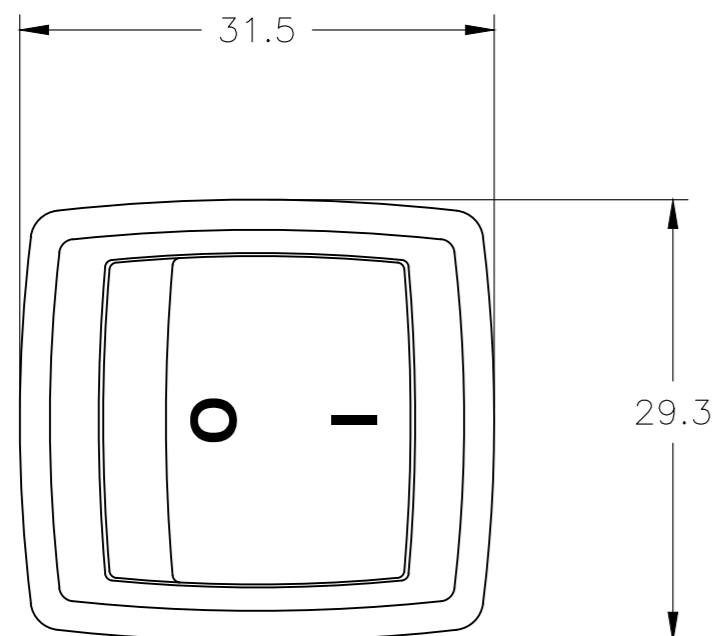
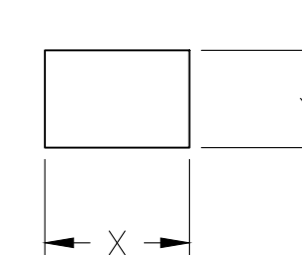


THIS DRAWING IS UNPUBLISHED. RELEASED FOR PUBLICATION  
 © COPYRIGHT - By - ALL RIGHTS RESERVED.

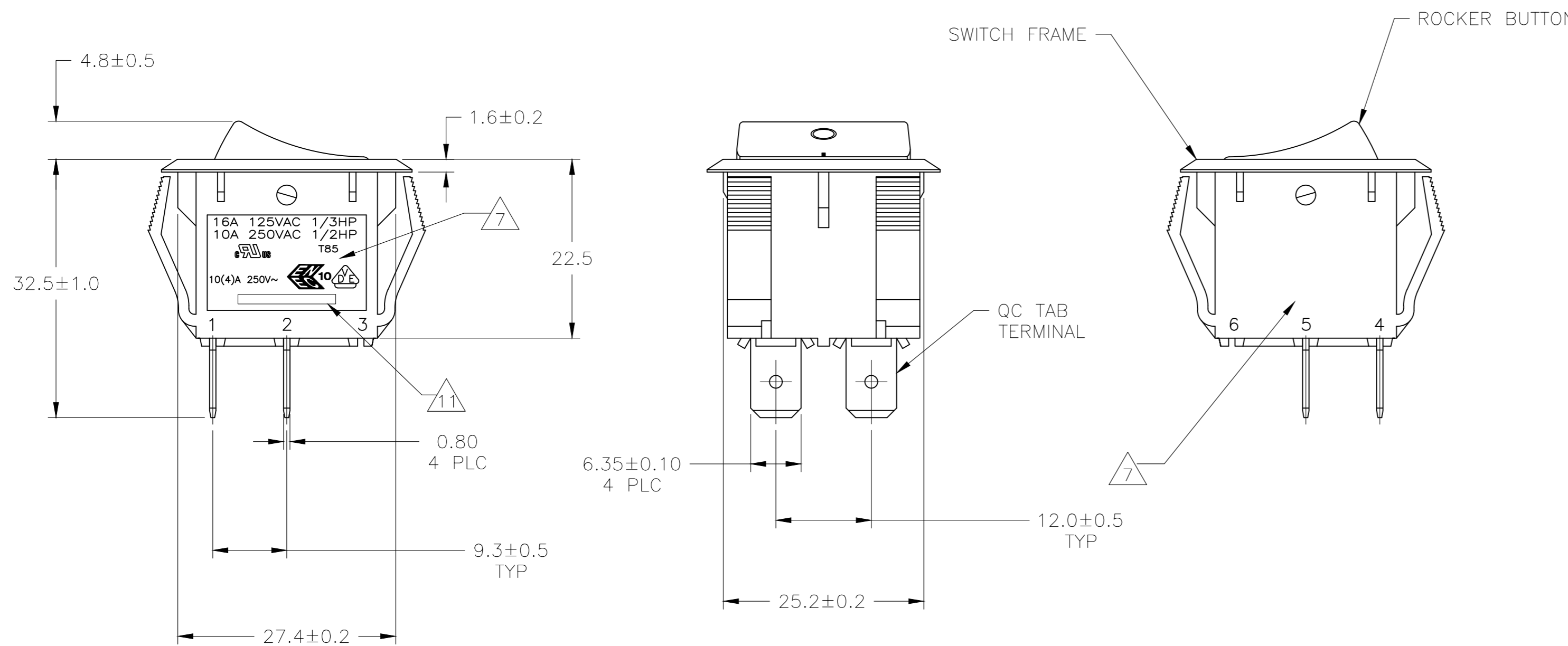
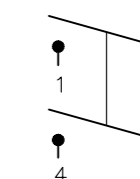
REVISIONS					
P	LTR	DESCRIPTION	DATE	DWN	APVD
	F1	REVISED PER ECO-10-005254	18MAR10	HMR	NE
	F2	REVISED PER ECO-16-017354	10MAR2017	RK	AS

PANEL CUT OUT



5.00-6.30	28.6-0.1	25.4+0.1
3.00-5.00	28.0-0.1	25.4+0.1
0.75-3.00	27.6-0.1	25.4+0.1
PANEL THICKNESS	X	Y

SWITCH FUNCTION A1  
CIRCUIT DIAGRAM



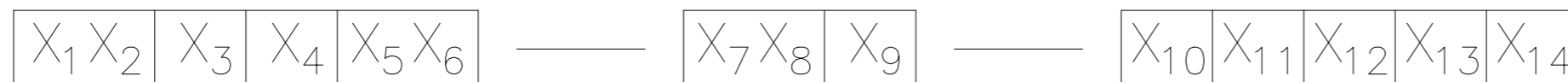
OBsolete 1571103=2 SHOWN

THIS DRAWING IS A CONTROLLED DOCUMENT.		DWN BSV	07APR04	TE Connectivity	
DIMENSIONS: MM		CHK J.MOSIER	-		
TOLERANCES UNLESS OTHERWISE SPECIFIED:		APVD JP	-	NAME POWER ROCKER SWITCH, 25.4mmX27.6mm PANEL SIZE, DPST 4 TERMINALS, NON-ILLUMINATED	
0 PLC ± -		PRODUCT SPEC		SIZE	
1 PLC ± 0.30		NOT APPLICABLE		CAGE CODE	
2 PLC ± 0.05		APPLICATION SPEC		DRAWING NO	
3 PLC ± -		NOT APPLICABLE		00779	
4 PLC ± -		WEIGHT		DRAWING NO	
ANGLES ± -		CUSTOMER DRAWING		C-1571103	
FINISH		SCALE		RESTRICTED TO	
1		2:1		-	
2		SHEET		REV	
		1 of 2		F2	

THIS DRAWING IS UNPUBLISHED. RELEASED FOR PUBLICATION  
 © COPYRIGHT - By - ALL RIGHTS RESERVED.

REVISIONS				
P	LTR	DESCRIPTION	DATE	APVD
-	-	SEE SHEET 1	-	-

LEGACY PART NUMBER



SWITCH TYPE: X1X2 = PR - POWER ROCKER

SECONDARY ROCKER COLOR: X12 = ∅ - NOT APPLICABLE

NOMINAL PANEL CUT OUT SIZE: X3 = D - 25.4x27.6

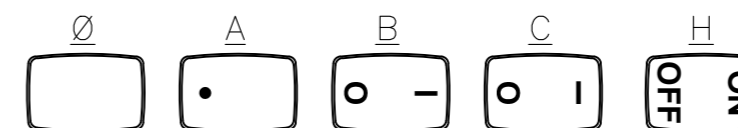
NUMBER OF POLES: X4 = D - DOUBLE

SWITCH FUNCTION: X5X6 = A1 - ON-OFF, WITH OPAQUE, SINGLE-COLOR ROCKER BUTTON.

LEGEND TEXT PATTERN: X13 =

CURRENT RATING: X7X8 = 16 - △6

TERMINAL TYPE: X9 = E - QC TAB



FRAME COLOR: X10 = B - BLACK  
W - WHITE

LEGEND TEXT COLOR: X14 = ∅ - NOT APPLICABLE

ROCKER COLOR: X11 = B - BLACK  
G - GREEN  
R - RED  
W - WHITE

G - GREEN  
R - RED  
B - BLACK  
W - WHITE

**1** MATERIALS:  
 ROCKER BUTTON & HOUSING: NYLON 66, UL 94 V-2.  
 TERMINAL, ACTIVE CONTACTOR: COPPER ALLOY PER ASTM B152/B152M  
 PLUNGER: COPPER ALLOY PER ASTM B036  
 SPRING: STEEL WIRE PER ASTM A228/A228M  
 CONTACT: SILVER-TIN OXIDE

5. ENVIRONMENTAL SPECIFICATIONS:  
 AMBIENT TEMPERATURE: -20°C TO +85°C  
 HUMIDITY: MAX 85%  
 SALT SPRAY: NO REMAKABLE RUST IN METAL PARTS (5%SALT / 35°C 24HRS)  
 SHOCK: NO MECHANICAL DEFECT OR DAMAGE (100g / 10MSEC/ X,Y,Z 3 TIMES)  
 VIBRATION: NO MECHANICAL DEFECT OR DAMAGE (10-55Hz /1.5mm/ X,Y,Z 2HRS)

**2** FINISH:  
 TERMINAL, ACTIVE CONTACTOR: 1.0µm MIN SILVER  
 PLUNGER: 3.0µm MIN NICKEL

**6** UL: 16A@125VAC 1/3HP / 10A@250VAC 1/2HP  
 ENEC: 10(4)A 250V~

3. ELECTRICAL SPECIFICATIONS: **6**  
 CURRENT & VOLTAGE  
 CONTACT RESISTANCE (INITIAL): <50mΩ  
 DIELECTRIC STRENGTH (INITIAL): >1000 VAC, 1 MINUTE  
 INSULATION RESISTANCE (INITIAL): >100MΩ MIN (500VDC BETWEEN OPEN CONTACTS)  
 INRUSH CURRENT: 50A / 3msec (CAPACITIVE LOAD)  
 ELECTRICAL LIFE ENDURANCE: >6000 OPERATIONS,  
 TEMPERATURE RISE AT TERMINALS: <30°C, 6000 OPERATIONS  
 (AMBIENT CONDITIONS: 25±2°C AND 65±5%RH)

**7** ELECTRICAL RATINGS, APPROVED AGENCY LOGOS, TERMINAL IDENTIFICATION NUMBERS, AND THE TYCO/ELECTRONICS LOGO MOLDED APPROXIMATELY AS SHOWN ON THE SIDES OF THE SWITCH HOUSING.

8. COMPONENT RECOGNIZED TO US & CANDIAN STANDARDS.  
 UL FILE NO. E46765

9. COMPONENT-RECOGNIZED TO EUROPEAN STANDARDS  
 (ENEC & VDE) MARKS LICENSE NO 40020317

10. ROHS 2002/95/EC COMPLIANT

**11** TYCO ELECTRONICS LOGO LOCATED APPROXIMATELY AS SHOWN

OBSOLETE	PRDDA1-16F-BR0HW	5-1571103-6
	PRDDA1-16F-BR000	5-1571103-4
	PRDDA1-16F-BB0HW	1571103-5
	PRDDA1-16F-BB0CW	1571103-3
OBSOLETE	PRDDA1-16F-BB0BW	1571103-2
	PRDDA1-16F-BB000	1571103-1
LEGACY PART NUMBER		PART NUMBER

4. MECHANICAL SPECIFICATIONS:  
 ACTUATING FORCE: 850g MIN, 1250g MAX  
 OPERATING LIFE ENDURANCE: >100,000 OPERATIONS  
 TERMINAL STRENGTH : >10.0kg- QC TAB

THIS DRAWING IS A CONTROLLED DOCUMENT.		DWN BSV	07APR04	<b>STE</b> TE Connectivity	
DIMENSIONS: MM		CHK J.MOSIER	-		
TOLERANCES UNLESS OTHERWISE SPECIFIED:		APVD JP	-	NAME POWER ROCKER SWITCH, 25.4mmX27.6mm PANEL SIZE, DPST 4 TERMINALS, NON-ILLUMINATED	
0 PLC ± -		PRODUCT SPEC		NOT APPLICABLE	
1 PLC ± 0.30		APPLICATION SPEC		NOT APPLICABLE	
2 PLC ± 0.05		SIZE		A2	
3 PLC ± -		CAGE CODE		00779	
4 PLC ± -		DRAWING NO		C-1571103	
ANGLES ± -		RESTRICTED TO		-	
MATERIAL		WEIGHT		-	
FINISH		CUSTOMER DRAWING		SCALE 2:1 SHEET 2 of 2 REV F2	