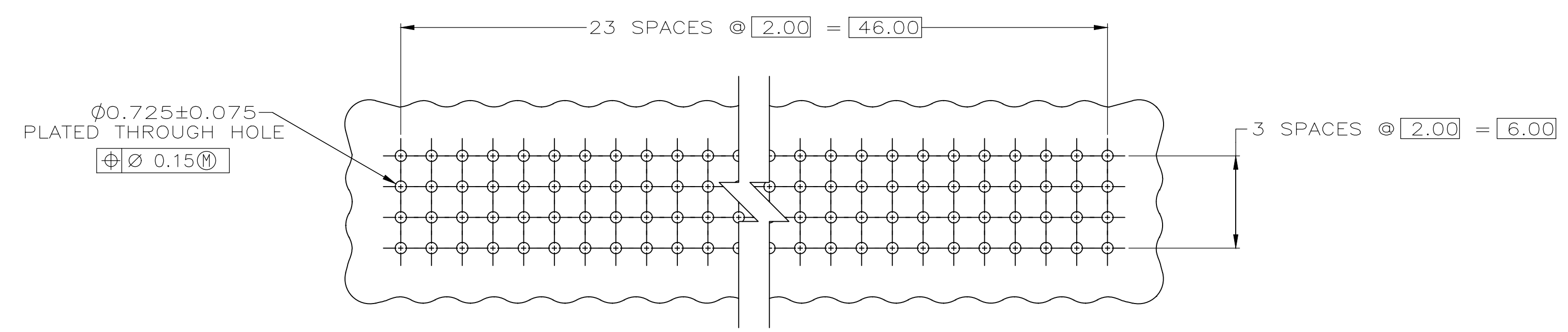
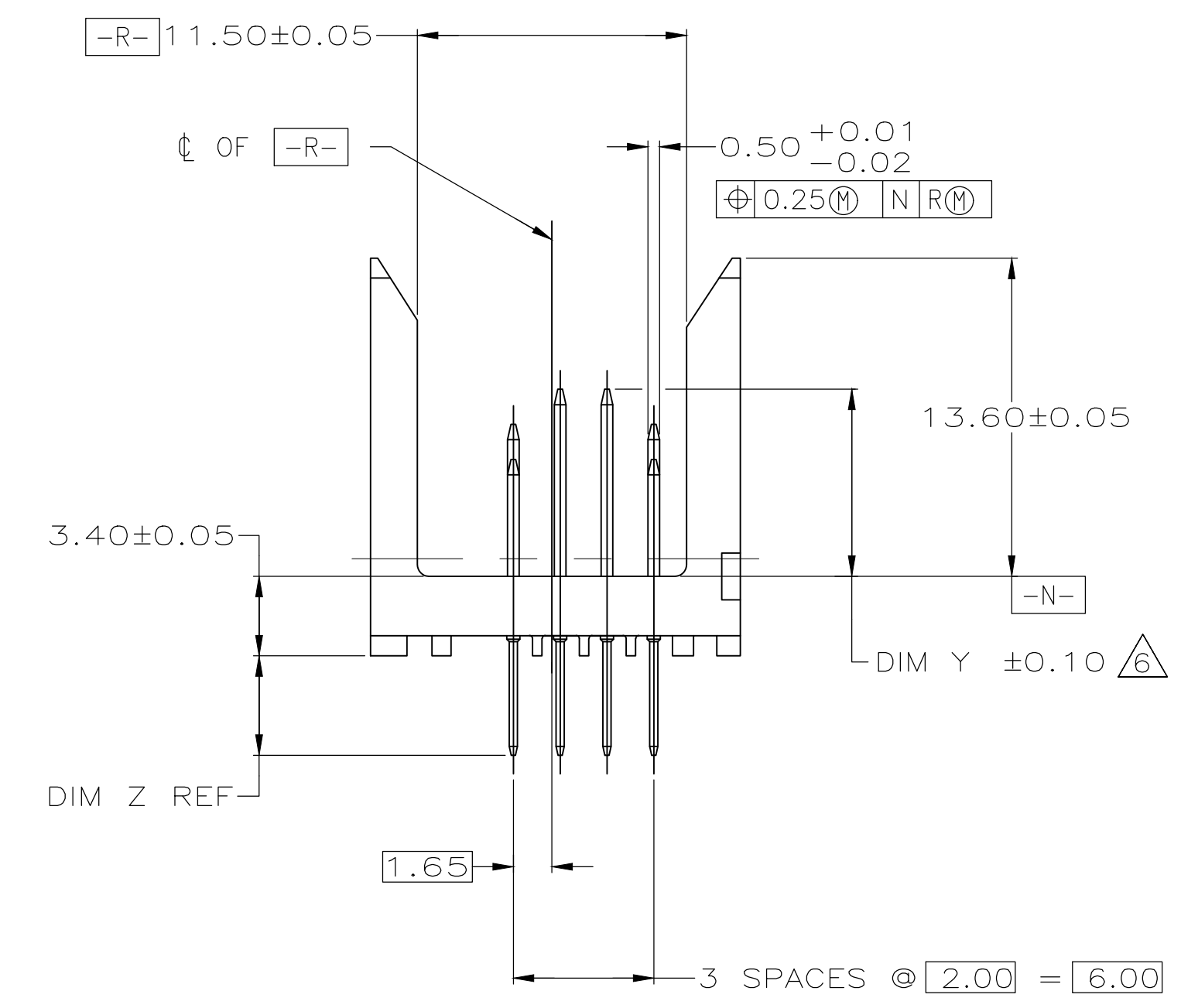
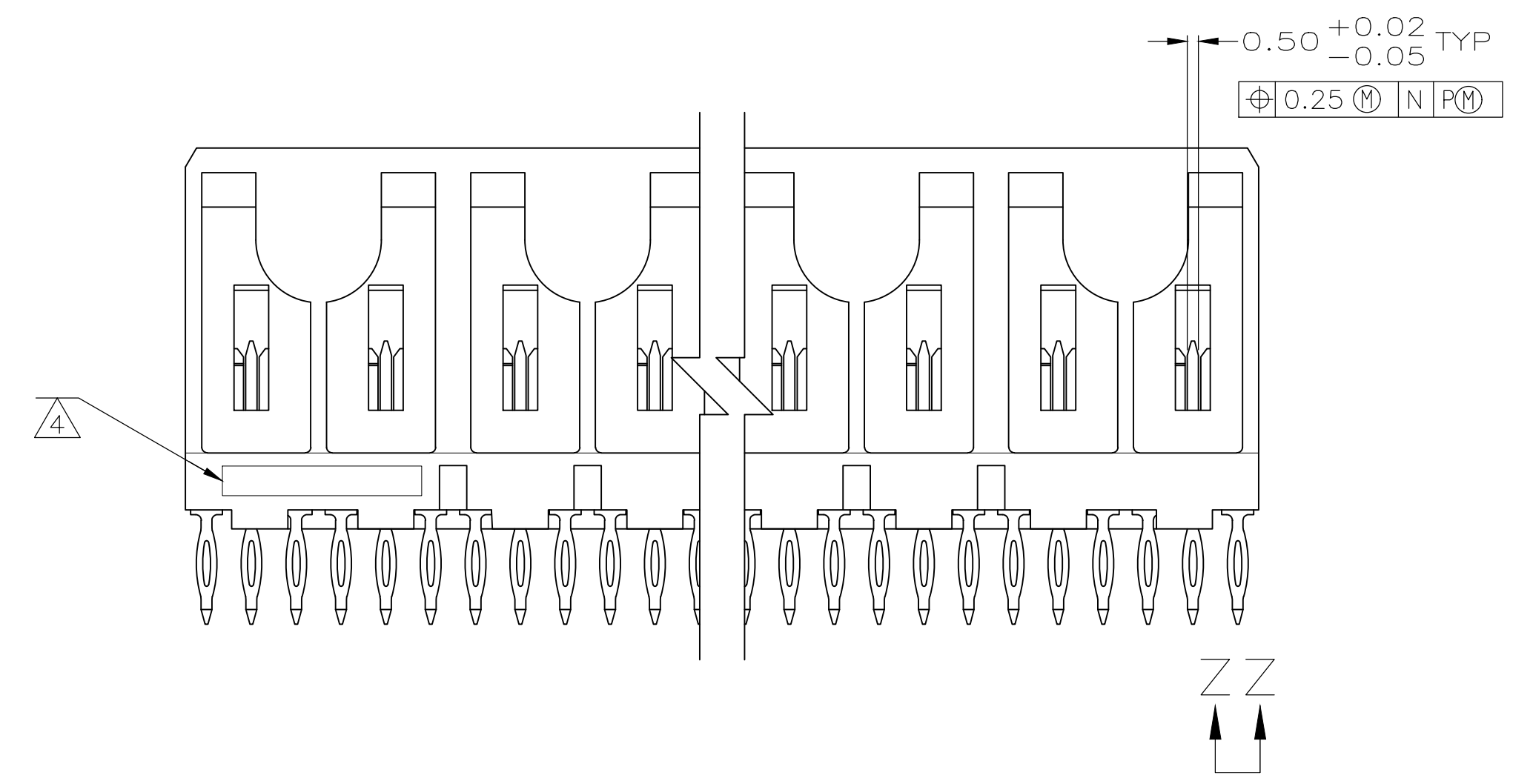
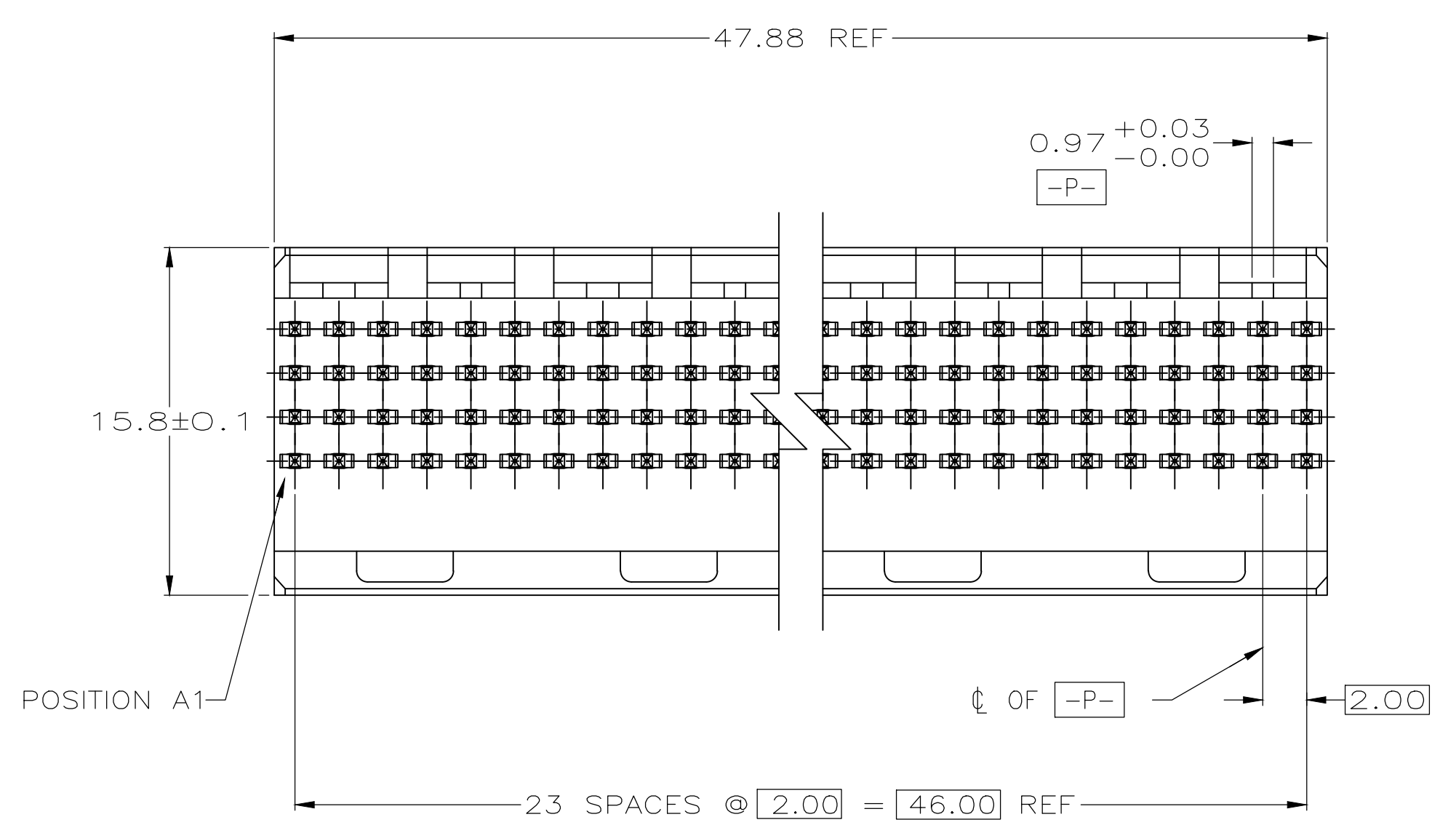
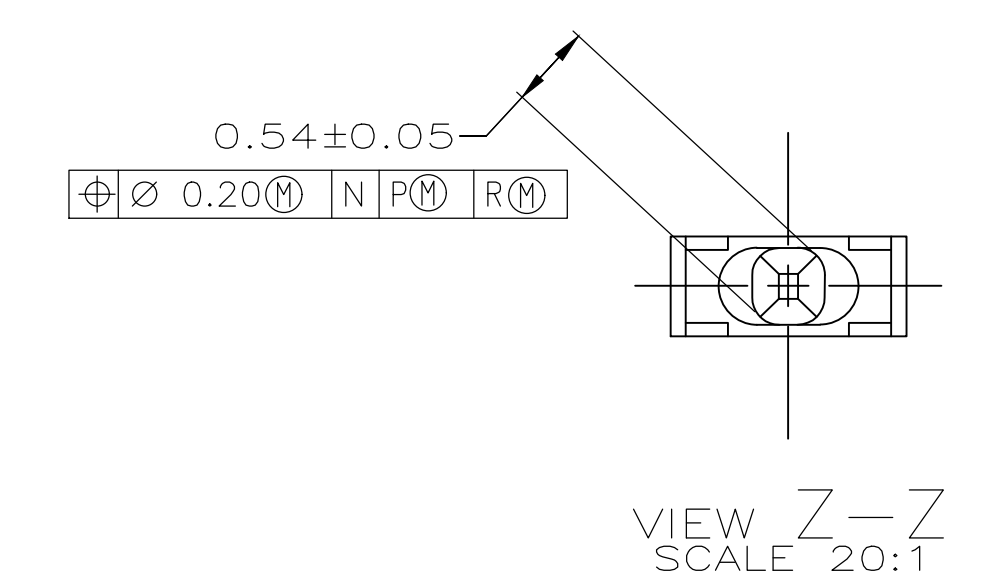


REVISIONS					
P	LTR	DESCRIPTION	DATE	DMN	APVD
C		REVISED PER ECO-20-013368	25SEP2020	RZ	HL



RECOMMENDED CIRCUIT PATTERN
PER IPC-D300 TYPE II, CLASS C
(COMPONENT SIDE)

- △ HOUSING MATERIAL: LIQUID CRYSTAL POLYMER.
COLOR: NATURAL.
- △ CONTACT MATERIAL: PHOSPHOR BRONZE.
- △ CONTACT FINISH:(B)
UNDERPLATE (ENTIRE CONTACT):
0.00127 MIN NICKEL PER SAE-AMS-QQ-N-290
ON MATING SURFACES:
CONFORMS TO ALL TESTING SPECIFIED FOR TELCORDIA
UNCONTROLLED ENVIRONMENT.
ON LEADS:
0.0006 MIN MATTE TIN PER ASTM B 545 OVER UNDERPLATE.
LUBRICATION (MIN MATING SURFACES):
SURFACE CONDITIONER AFTER PLATING.
- △ PART MARKING, LOCATED APPROXIMATELY AS SHOWN.
- 5. SEE SHEET 2 FOR SEQUENCING CHARTS.
- △ DIMENSION APPLIES WHEN SEATED ON PRINTED CIRCUIT BOARD.



THIS DRAWING IS A CONTROLLED DOCUMENT.		DIN B MCMMASTER 150EC04	TE Connectivity	
		CHK R WERTZ 150EC04		
DIMENSIONS: mm		APVD R WERTZ 150EC04		NAME
0. PLC ± - 1. PLC ± - 2. PLC ± 0.13 3. PLC ± - 4. PLC ± - ANGLES ± -		PRODUCT SPEC		PIN ASSY SIGNAL MODULE,Z-PACK 2mm FB 4R 96 POSN,PRESS FIT LEADS WITH SEQUENCING
MATERIAL		FINISH		SIZE CAGE CODE DRAWING NO
1 2 3		3		A1 00779 C=5223613
CUSTOMER DRAWING		SCALE 4:1		SHEET 1 OF 2 REV C

