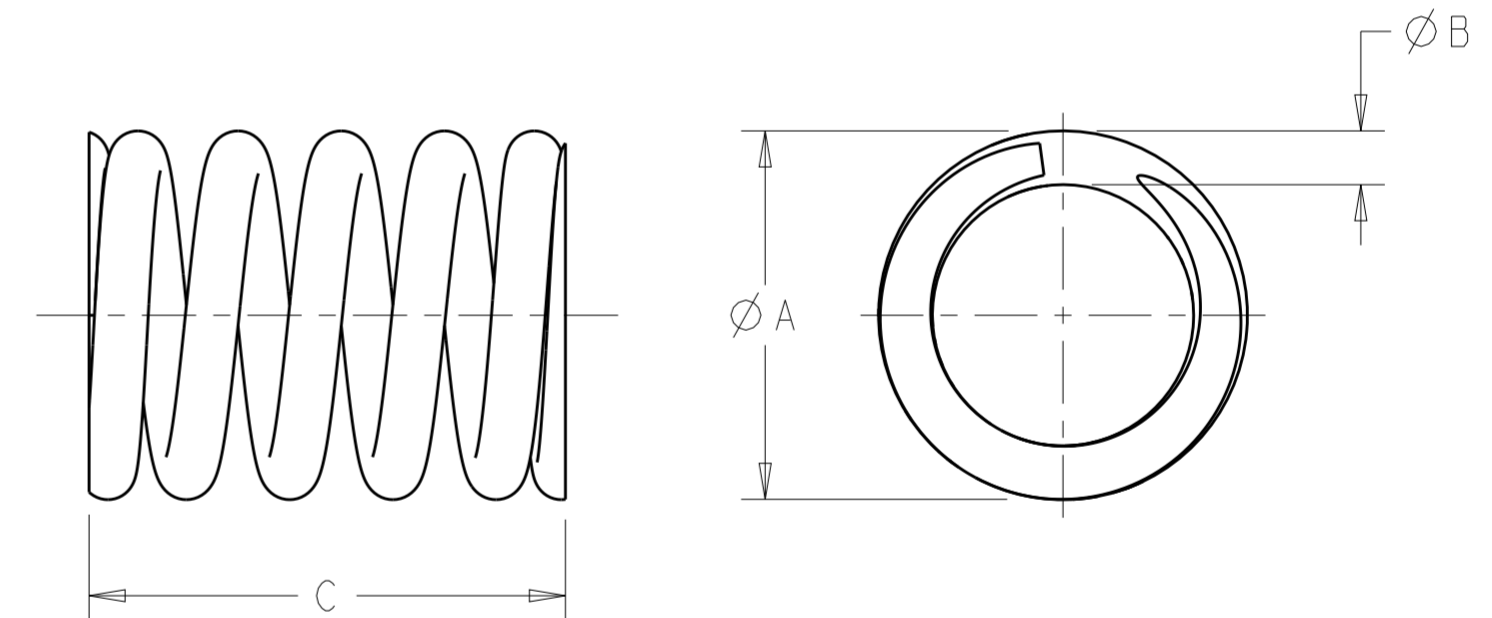


THIS DRAWING IS A CONTROLLED DOCUMENT

NUMBER
23470

| PART NUMBER | REV | MASS REF Grams | A | B | C | APPROX LOAD @ SOLID HT | RATE lb/in | SOLID HEIGHT | MFR PART NO |
|----------------------|--------------|----------------|-----------------|-----------------|-----------------|------------------------|----------------|-----------------|--------------|
| 23470-1 | P | .43 | .240 | .035 | .310 | 12 lbs | 90.00 | .190 | LC-035C-01-M |
| 23470-2 | P | .47 | .240 | .035 | .380 | 12 lbs | 73.50 | .210 | LC-035C-02-M |
| 23470-3 | P | .52 | .240 | .035 | .440 | 12 lbs | 61.00 | .230 | LC-035C-03-M |
| 23470-4 | P | .59 | .240 | .035 | .500 | 12 lbs | 52.00 | .260 | LC-035C-04-M |
| 23470-5 | P | .66 | .240 | .035 | .560 | 12 lbs | 45.00 | .290 | LC-035C-05-M |
| 23470-6 | P | .70 | .240 | .035 | .620 | 12 lbs | 40.00 | .310 | LC-035C-06-M |
| 23470-7 | P | .77 | .240 | .035 | .690 | 12 lbs | 36.00 | .340 | LC-035C-07-M |
| 23470-8 | P | .81 | .240 | .035 | .750 | 12 lbs | 32.00 | .360 | LC-035C-08-M |
| 23470-9 | P | .88 | .240 | .035 | .810 | 12 lbs | 29.30 | .390 | LC-035C-09-M |
| 1-23470-0 | P | .95 | .240 | .035 | .880 | 12 lbs | 27.00 | .420 | LC-035C-10-M |
| 1-23470-1 | P | 1.04 | .240 | .035 | .940 | 12 lbs | 24.40 | .460 | LC-035C-11-M |
| 1-23470-2 | P | 1.47 | .240 | .035 | 1.380 | 12 lbs | 16.00 | .650 | LC-035C-14-M |
| 1-23470-3 | P | 1.58 | .240 | .035 | 1.500 | 12 lbs | 14.80 | .700 | LC-035C-15-M |
| 1-23470-4 | P | 1.83 | .240 | .035 | 1.750 | 12 lbs | 12.40 | .810 | LC-035C-16-M |
| 1-23470-5 | P | 2.06 | .240 | .035 | 2.000 | 12 lbs | 11.00 | .910 | LC-035C-17-M |
| 1-23470-6 | P | 2.31 | .240 | .035 | 2.250 | 12 lbs | 9.80 | 1.020 | LC-035C-18-M |
| 1-23470-7 | P | 2.74 | .240 | .035 | 2.500 | 12 lbs | 8.90 | 1.210 | LC-035C-19-M |
| 1-23470-8 | P | .53 | .240 | .040 | .310 | 17 lbs | 155.00 | .210 | LC-040C-01-M |
| 1-23470-9 | P | .63 | .240 | .040 | .380 | 17 lbs | 122.00 | .250 | LC-040C-02-M |
| 2-23470-0 | P | .71 | .240 | .040 | .440 | 17 lbs | 100.00 | .280 | LC-040C-03-M |
| 2-23470-1 | P | .78 | .240 | .040 | .500 | 17 lbs | 84.00 | .310 | LC-040C-04-M |
| 2-23470-2 | P | .88 | .240 | .040 | .560 | 17 lbs | 74.00 | .350 | LC-040C-05-M |
| 2-23470-3 | P | .96 | .240 | .040 | .620 | 17 lbs | 67.00 | .380 | LC-040C-06-M |
| 2-23470-4 | P | 1.03 | .240 | .040 | .690 | 17 lbs | 60.00 | .410 | LC-040C-07-M |
| 2-23470-5 | P | 1.08 | .240 | .040 | .750 | 17 lbs | 57.00 | .430 | LC-040C-08-M |
| 2-23470-6 | P | 1.21 | .240 | .040 | .810 | 17 lbs | 48.50 | .480 | LC-040C-09-M |
| 2-23470-7 | P | 1.29 | .240 | .040 | .880 | 17 lbs | 46.00 | .510 | LC-040C-10-M |
| 2-23470-8 | P | 1.39 | .240 | .040 | .940 | 17 lbs | 42.00 | .550 | LC-040C-11-M |
| 2-23470-9 | P | 1.46 | .240 | .040 | 1.000 | 17 lbs | 39.30 | .580 | LC-040C-12-M |
| 3-23470-0 | P | 1.64 | .240 | .040 | 1.120 | 17 lbs | 35.00 | .650 | LC-040C-13-M |
| 3-23470-1 | P | 1.82 | .240 | .040 | 1.250 | 17 lbs | 31.00 | .720 | LC-040C-14-M |
| 3-23470-2 | P | 1.97 | .240 | .040 | 1.380 | 17 lbs | 27.50 | .780 | LC-040C-15-M |
| 3-23470-3 | P | 2.17 | .240 | .040 | 1.500 | 17 lbs | 25.70 | .860 | LC-040C-16-M |
| 3-23470-4 | P | 2.47 | .240 | .040 | 1.750 | 17 lbs | 21.70 | .980 | LC-040C-17-M |
| 3-23470-5 | P | 2.80 | .240 | .040 | 2.000 | 17 lbs | 19.20 | 1.110 | LC-040C-18-M |
| 3-23470-6 | P | 3.15 | .240 | .040 | 2.250 | 17 lbs | 16.70 | 1.250 | LC-040C-19-M |
| 3-23470-7 | P | 3.48 | .240 | .040 | 2.500 | 17 lbs | 15.00 | 1.380 | LC-040C-20-M |
| 3-23470-8 | P | 3.72 | .240 | .042 | 2.500 | 19 lbs | 17.80 | 1.420 | LC-042C-19-M |
| 3-23470-9 | P | .33 | .240 | .024 | .690 | 4.25 lbs | 9.00 | .200 | LC-024C-06-M |
| 4-23470-0 | P | .59 | .240 | .022 | 1.750 | 3.25 lbs | 2.30 | .390 | LC-022C-12-M |
| 4-23470-1 | P | .84 | .240 | .026 | 1.750 | 5.25 lbs | 4.20 | .480 | LC-026C-13-M |
| 4-23470-2 | P | 1.62 | .240 | .032 | 2.000 | 10 lbs | 8.40 | .770 | LC-032C-17-M |
| 4-23470-3 | Y | .00 | .240 | .000 | .000 | 0.0 | .00 | .000 | |
| 4-23470-4 | P | .95 | .240 | .026 | 2.000 | 5.25 lbs | 3.60 | .540 | LC-026C-14-M |
| 4-23470-5 | P | .32 | .240 | .020 | 1.000 | 2 lbs | 2.40 | .230 | LC-020C-12-M |

1. MANUFACTURER/VENDOR PART NUMBER:
SEE TABLE
2. MANUFACTURER/VENDOR:
LEE SPRING COMPANY
www.leespring.com
3. DIMENSIONS/TOLERANCES:
ALL DIMENSIONS ARE NOMINAL
UNLESS OTHERWISE SPECIFIED.
4. COMPLIANCE:
RoHS COMPLIANT
5. REQUIRED CHARACTERISTICS/PERFORMANCE:
ENDS: SQUARED AND GROUND (TOLERANCE 3°)
SPRINGS TO BE STRESS RELIEVED TO REMOVE
COILING STRAINS
SEE TABLE FOR ADDITIONAL INFORMATION
6. ALTERNATE PART NUMBER AND
MANUFACTURER/VENDOR:
TE ENGINEERING APPROVED EQUIVALENT.



SUPSD BY 7-22280-5

SEE ALSO 22280

| | | |
|----------------------------|------------------------|-----------------------|
| DIMENSIONS: IN | MATERIAL MUSIC WIRE | FINISH ZINC PLATED |
| | | |
| TITLE SPRING, COMPRESSION | | |
| SIZE A2 | NUMBER 23470 | SHEET 1 OF 2 |
| AG ADD -69 / ECR-17-009972 | | REV AG |
| LTR REVISION RECORD | | DATE DWN APVD |

**APPLICATION TOOLING COMMERCIALY
PURCHASED PRODUCT SPECIFICATION**

THIS INFORMATION IS CONFIDENTIAL AND PROPRIETARY TO TYCO ELECTRONICS CORPORATION AND ITS WORLDWIDE SUBSIDIARIES AND AFFILIATES (TE). IT MAY NOT BE DISCLOSED TO ANYONE, OTHER THAN TE PERSONNEL, WITHOUT AUTHORIZATION FROM TE (www.te.com).

THIS DRAWING IS A CONTROLLED DOCUMENT

NUMBER
23470

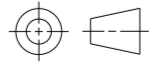

| PART NUMBER | REV | MASS REF Grams | A | B | C | APPROX LOAD @ SOLID HT | RATE lb/in | SOLID HEIGHT | MFR PART NO |
|----------------------|--------------|----------------|-----------------|-----------------|-----------------|------------------------|----------------|-----------------|--------------|
| 4-23470-6 | P | .62 | .240 | .024 | 1.500 | 4.25 lbs | 3.80 | .380 | LC-024C-12-M |
| 4-23470-7 | P | .26 | .240 | .024 | .500 | 4.25 lbs | 12.20 | .160 | LC-024C-03-M |
| 4-23470-8 | P | .19 | .240 | .020 | .560 | 2 lbs | 4.40 | .140 | LC-020C-06-M |
| 4-23470-9 | P | .24 | .240 | .020 | .690 | 2 lbs | 3.50 | .170 | LC-020C-08-M |
| 5-23470-0 | P | .70 | .240 | .024 | 1.750 | 4.25 lbs | 3.30 | .430 | LC-024C-13-M |
| 5-23470-1 | P | .29 | .240 | .020 | .880 | 2 lbs | 2.70 | .210 | LC-020C-11-M |
| 5-23470-2 | P | .22 | .240 | .020 | .620 | 2 lbs | 3.80 | .160 | LC-020C-07-M |
| 5-23470-3 | P | .11 | .240 | .020 | .250 | 2 lbs | 11.00 | .080 | LC-020C-01-M |
| 5-23470-4 | P | .18 | .240 | .020 | .500 | 2 lbs | 4.90 | .130 | LC-020C-05-M |
| 5-23470-5 | R | .13 | .240 | .020 | .312 | 2 lbs | 8.60 | .094 | LC-020C-02-M |
| 5-23470-6 | S | .46 | .240 | .020 | 1.500 | 2 lbs | 1.57 | .332 | LC-020C-14-M |
| 5-23470-7 | T | .13 | .240 | .022 | .250 | 3.25 lbs | 18.30 | .085 | LC-022C-00-M |
| 5-23470-8 | T | .53 | .240 | .020 | 1.750 | 2 lbs | 1.32 | .382 | LC-020C-15-M |
| 5-23470-9 | U | .39 | .240 | .020 | 1.250 | 2 lbs | 1.90 | .282 | LC-020C-13-M |
| 6-23470-0 | V | .97 | .240 | .045 | .500 | 22 lbs | 149.60 | .350 | LC-045C-03-M |
| 6-23470-1 | V | 2.27 | .240 | .045 | 1.250 | 22 lbs | 52.90 | .820 | LC-045C-13-M |
| 6-23470-2 | Y | .00 | .240 | .000 | .000 | 0.0 | .00 | .000 | |
| 6-23470-3 | Z | .06 | .240 | .016 | .250 | 1.2 lbs | 6.20 | .056 | LC-016C-01-M |
| 6-23470-4 | AA | .18 | .240 | .016 | 1.250 | 1.2 lbs | 1.10 | .163 | LC-016C-14-M |
| 6-23470-5 | AB | .29 | .240 | .018 | 1.500 | 1.7 lbs | 1.30 | .231 | LC-018C-15-M |
| 6-23470-6 | AC | .09 | .240 | .016 | .440 | 1.2 lbs | 3.30 | .076 | LC-016C-04-M |
| 6-23470-7 | AD | .12 | .240 | .018 | .500 | 1.7 lbs | 4.30 | .099 | LC-018C-05-M |
| 6-23470-8 | AE | .17 | .240 | .018 | .750 | 1.7 lbs | 2.80 | .132 | LC-018C-09-M |
| 6-23470-9 | AG | .30 | .240 | .024 | .625 | 4.3 lbs | 9.80 | .185 | LC-024C-05-M |

SUPSD BY 2-22280-6

THIS INFORMATION IS CONFIDENTIAL AND PROPRIETARY TO TYCO ELECTRONICS CORPORATION AND ITS WORLDWIDE SUBSIDIARIES AND AFFILIATES (TE). IT MAY NOT BE DISCLOSED TO ANYONE, OTHER THAN TE PERSONNEL, WITHOUT AUTHORIZATION FROM TE (www.te.com).

APPLICATION TOOLING COMMERCIALY PURCHASED PRODUCT SPECIFICATION

| | | | | |
|-----|-----------------|------|-----|------|
| LTR | REVISION RECORD | DATE | DWN | APVD |
| | | | | |
| | | | | |
| | | | | |

| | | | |
|---|-----------------|---|-----------------------|
| DIMENSIONS: IN | | MATERIAL MUSIC WIRE | FINISH ZINC PLATED |
|  | |  | |
| | | | |
| SIZE A2 | NUMBER 23470 | SHEET 2 OF 2 | REV AG |