

13 12 11 10 9 8 7 6 5 4 3 2 1

J

I

H

G

F

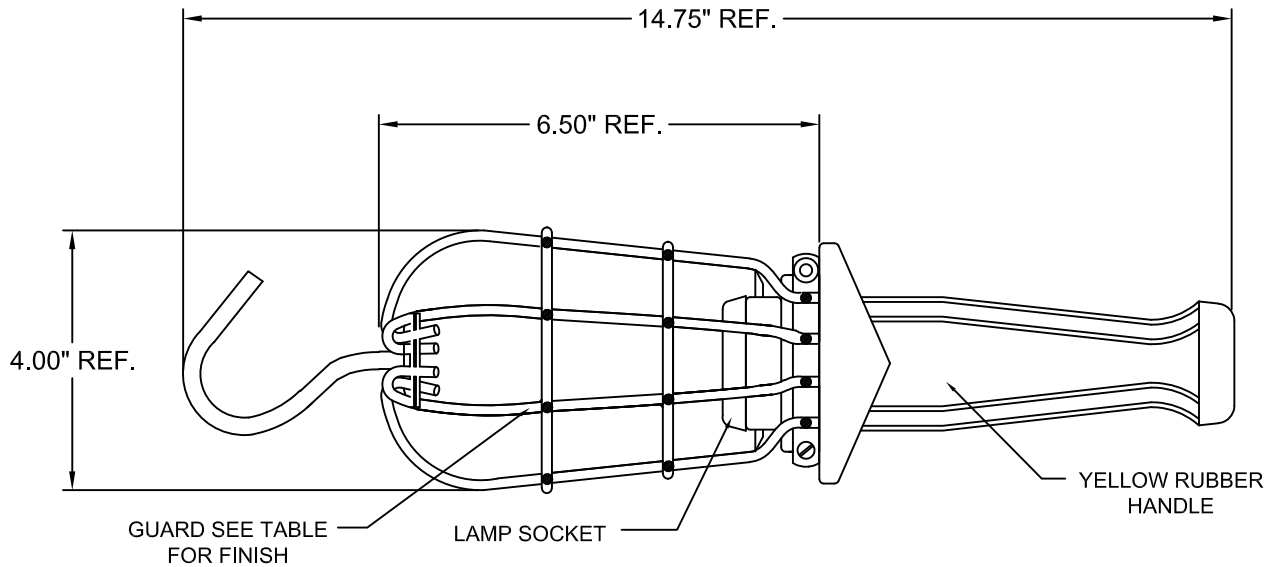
E

D

C

B

A



| MOLEX# | ENGR # | GUARD |
|------------|--------|-------------|
| 1301020048 | 102 | ZINC PLATED |

NOTES:
BULB NOT INCLUDED

REFERENCE
USE ONLY

| | | | | | |
|---------------------------------------|--|------------------|--------|---|------------------------|
| GENERAL TOLERANCES (UNLESS SPECIFIED) | | DIMENSION STYLE | SCALE | DESIGN UNITS | THIRD ANGLE PROJECTION |
| | | mm | INCH | | |
| DESCRIPTION | 4 PLACES | DRAWN BY DATE | | TITLE | |
| | 3 PLACES | KA 6-7-2018 | | 102 PROTEX | |
| | 2 PLACES | CHECKED BY DATE | | 100W INCANDESCENT HANDLAMP | |
| | 1 PLACE | APPROVED BY DATE | | MOLEX LLC. | |
| | | MATERIAL NO. | | DOCUMENT | SHEET NO. |
| | | SEE TABLE | | 102 | 1 OF 1 |
| REV | DRAFT WHERE APPLICABLE MUST REMAIN WITHIN DIMENSIONS | | SIZE C | THIS DRAWING CONTAINS INFORMATION THAT IS PROPRIETARY TO MOLEX INCORPORATED AND SHOULD NOT BE USED WITHOUT WRITTEN PERMISSION | |

13 12 11 10 9 8 7 6 5 4 3 2 1