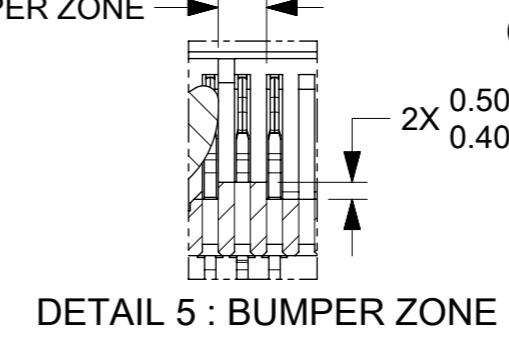
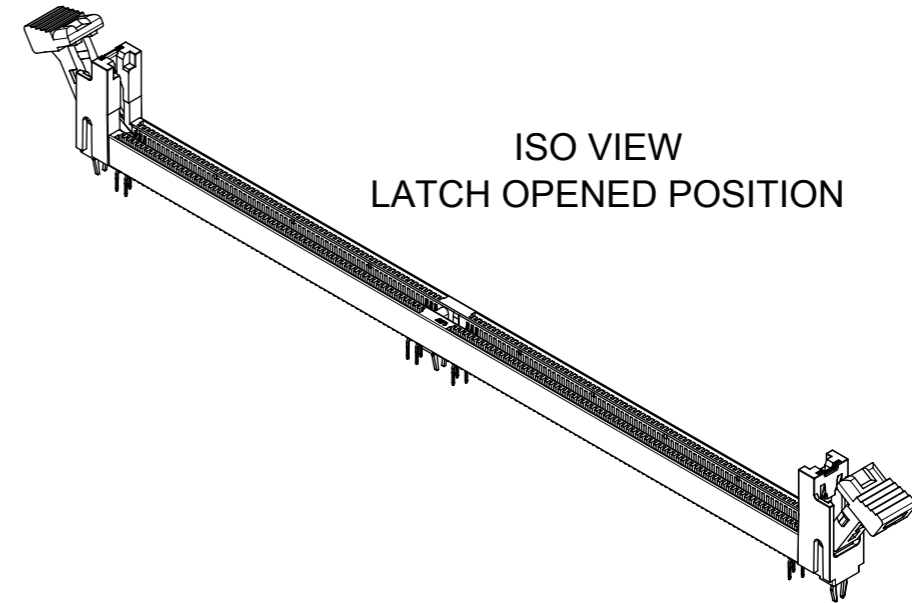
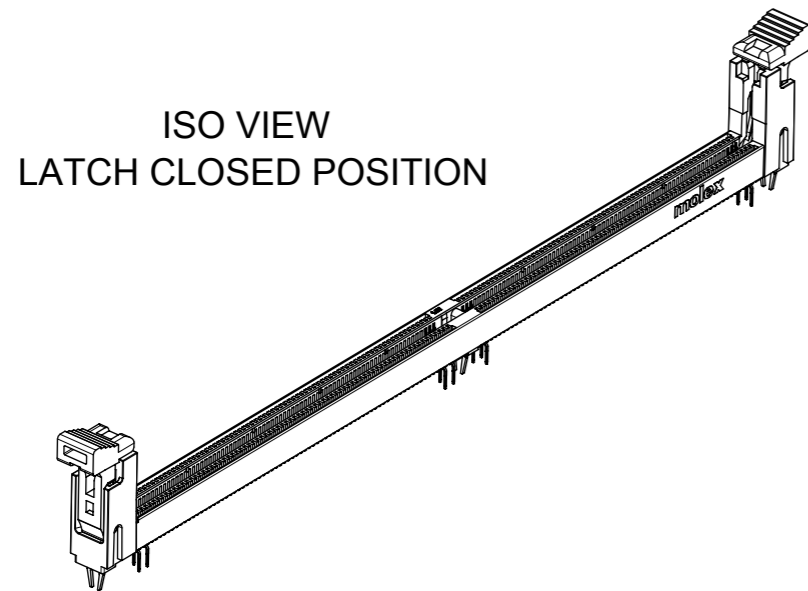
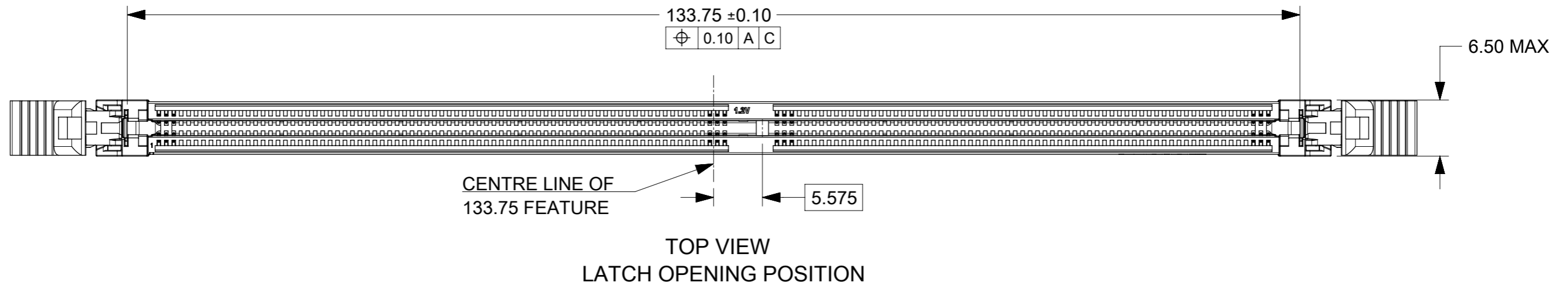


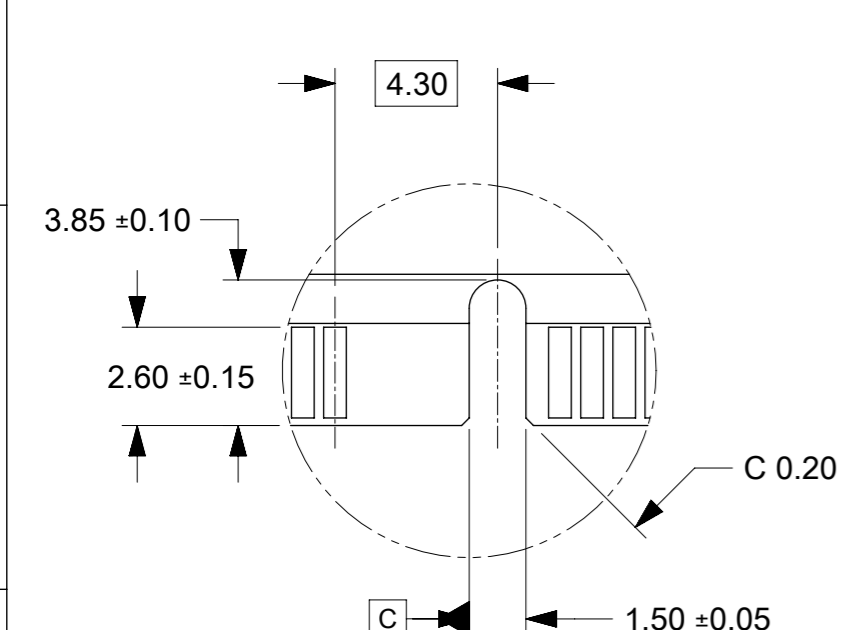
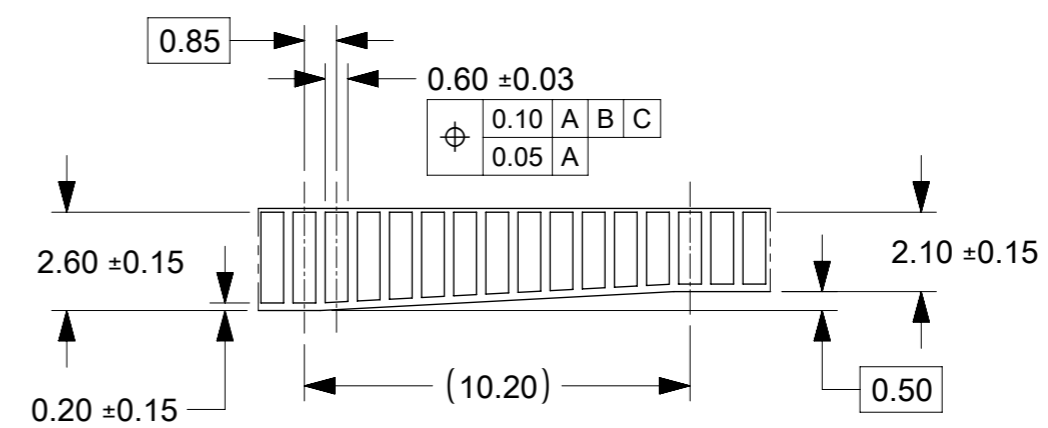
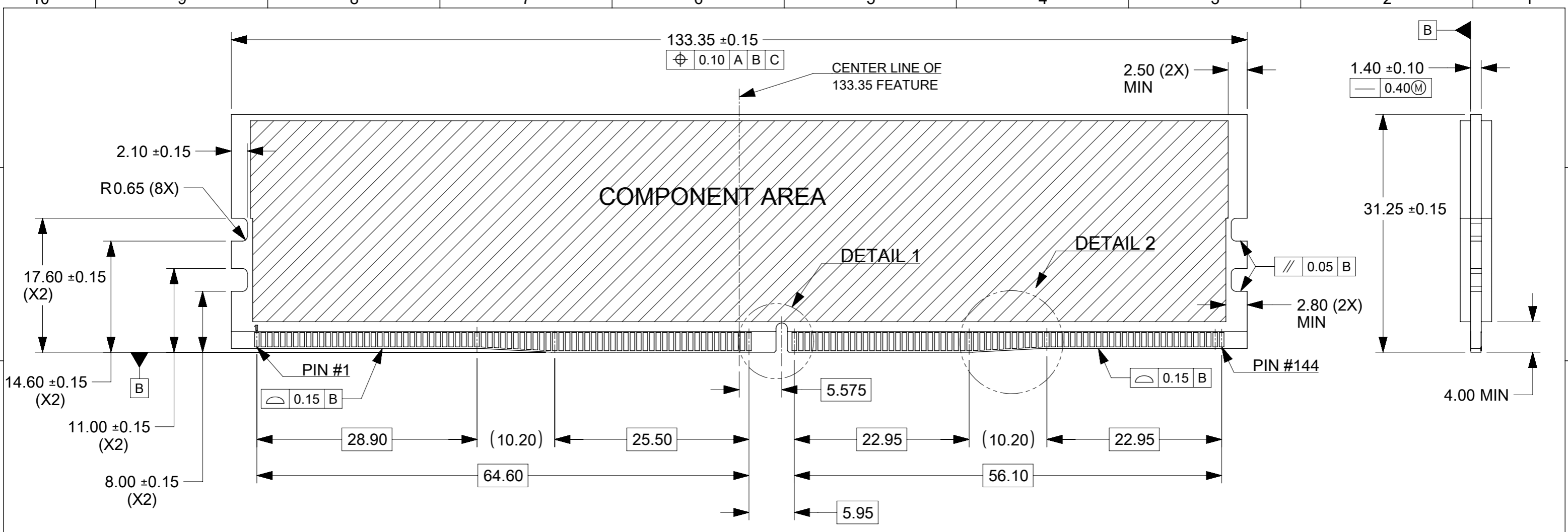
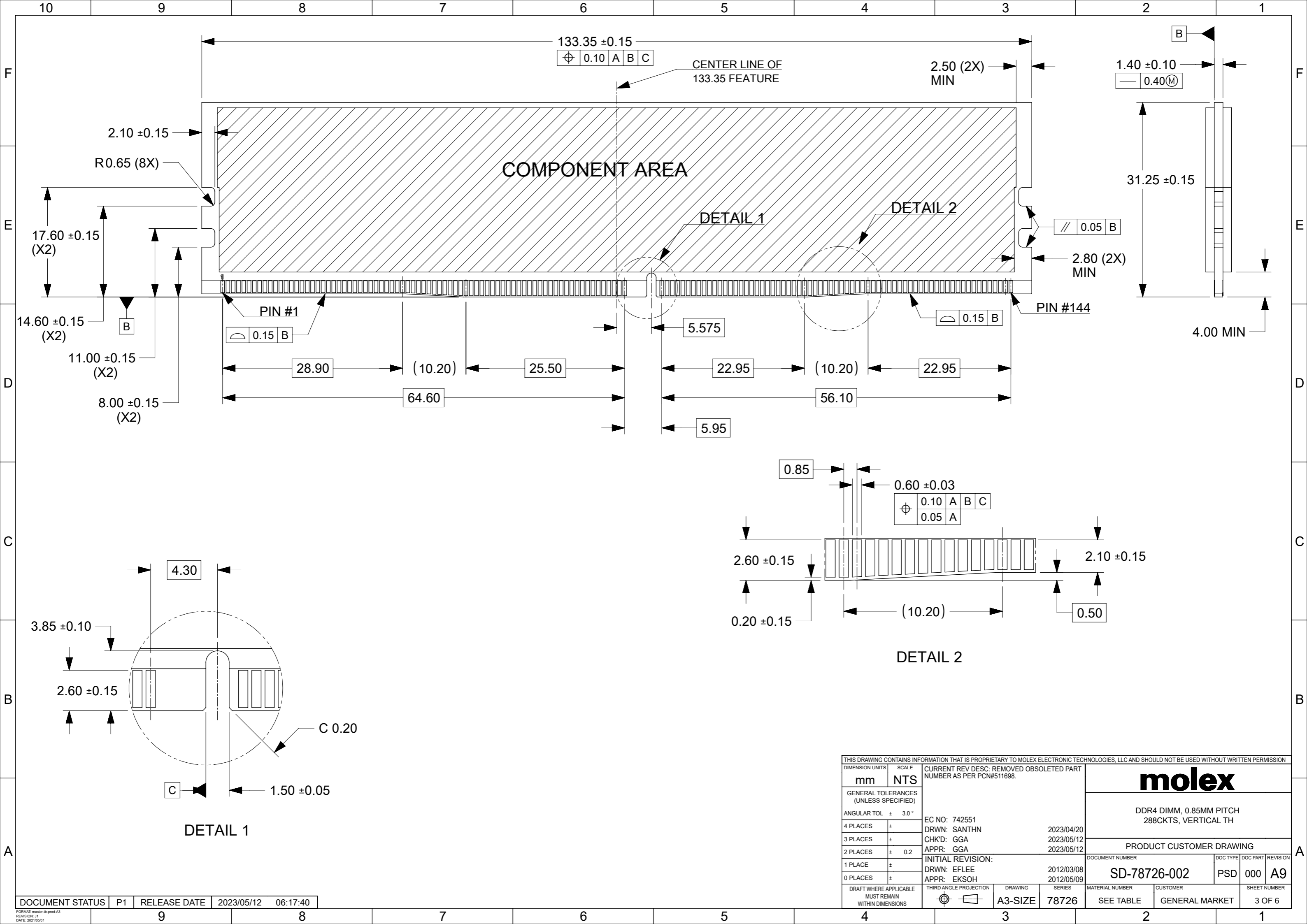
- NOTES:**
- MATERIAL : HOUSING - HALOGEN FREE HIGH TEMP POLYAMIDE, GLASS FILLED, UL94V-0.
COLOUR : SEE TABLE ON SHEET 5.
LATCH - HALOGEN FREE HIGH TEMP POLYAMIDE, GLASS FILLED, UL94V-0.
COLOUR : SEE TABLE ON SHEET 5.
TERMINAL : COPPER ALLOY.
FORKLOCK: COPPER ALLOY.
 - FINISHES - SEE TABLE ON SHEET 5.
 - PRODUCT SPECIFICATION : SEE TABLE ON SHEET 5.
 - PACKAGING SPECIFICATION: PRODUCT SHALL BE PACKED IN TRAY, SEE SHEET 5
 - CARD SLOT ACCEPTS 1.40±0.10MM MODULE THICKNESS (MEASURED OVER P.C. PADS).
- ⚠️ MOLEX LOGO, DATE & PART NO. INDICATED ON HOUSING.
 ⚠️ MODULE SEATING PLANE.
 ⚠️ KEEP OUT ZONE RESERVED FOR LATCH.
 ⚠️ KEEP OUT AREA IS THE AREA WHERE THE CONNECTOR (INCLUDES LATCHES IN OPENING POSITION) IS MOUNTED ON THE PCB.
- REFER TO AS-78726-001 FOR CONNECTOR APPLICATION GUIDELINE.
 - REFER TO AS-78726-002 FOR PCB ROUTING RECOMMENDATIONS.



| | | | | | | | | | | | |
|---|--|-------|--|---|--|------------|--|--------------------------|--|----------------------------|--|
| THIS DRAWING CONTAINS INFORMATION THAT IS PROPRIETARY TO MOLEX ELECTRONIC TECHNOLOGIES, LLC AND SHOULD NOT BE USED WITHOUT WRITTEN PERMISSION | | | | | | | | | | | |
| DIMENSION UNITS | | SCALE | | CURRENT REV DESC: REMOVED OBSOLETE PART NUMBER AS PER PCN#511698. | | | | | | | |
| mm | | NTS | | | | | | | | | |
| GENERAL TOLERANCES (UNLESS SPECIFIED) | | | | EC NO: 742551 | | 2023/04/20 | | DDR4 DIMM, 0.85MM PITCH | | | |
| ANGULAR TOL ± 3.0° | | | | DRWN: SANTHN | | 2023/05/12 | | 288CKTS, VERTICAL TH | | | |
| 4 PLACES ± | | | | CHK'D: GGA | | 2023/05/12 | | PRODUCT CUSTOMER DRAWING | | | |
| 3 PLACES ± | | | | APPR: GGA | | | | DOCUMENT NUMBER | | | |
| 2 PLACES ± 0.2 | | | | INITIAL REVISION: | | | | SD-78726-002 | | DOC TYPE DOC PART REVISION | |
| 1 PLACE ± | | | | DRWN: EFLEE | | 2012/03/08 | | PSD | | 000 A9 | |
| 0 PLACES ± | | | | APPR: EKSOH | | 2012/05/09 | | MATERIAL NUMBER | | CUSTOMER | |
| DRAFT WHERE APPLICABLE MUST REMAIN WITHIN DIMENSIONS | | | | THIRD ANGLE PROJECTION | | DRAWING | | SERIES | | SHEET NUMBER | |
| | | | | | | A3-SIZE | | 78726 | | 1 OF 6 | |



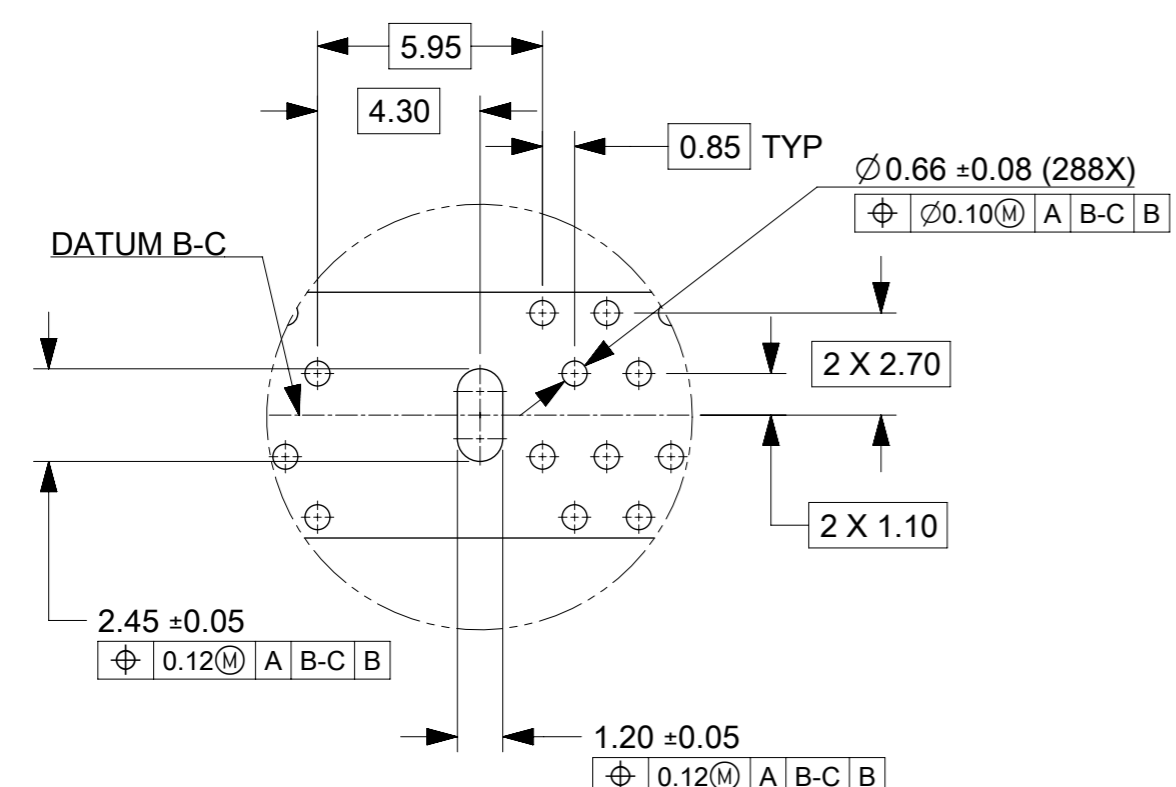
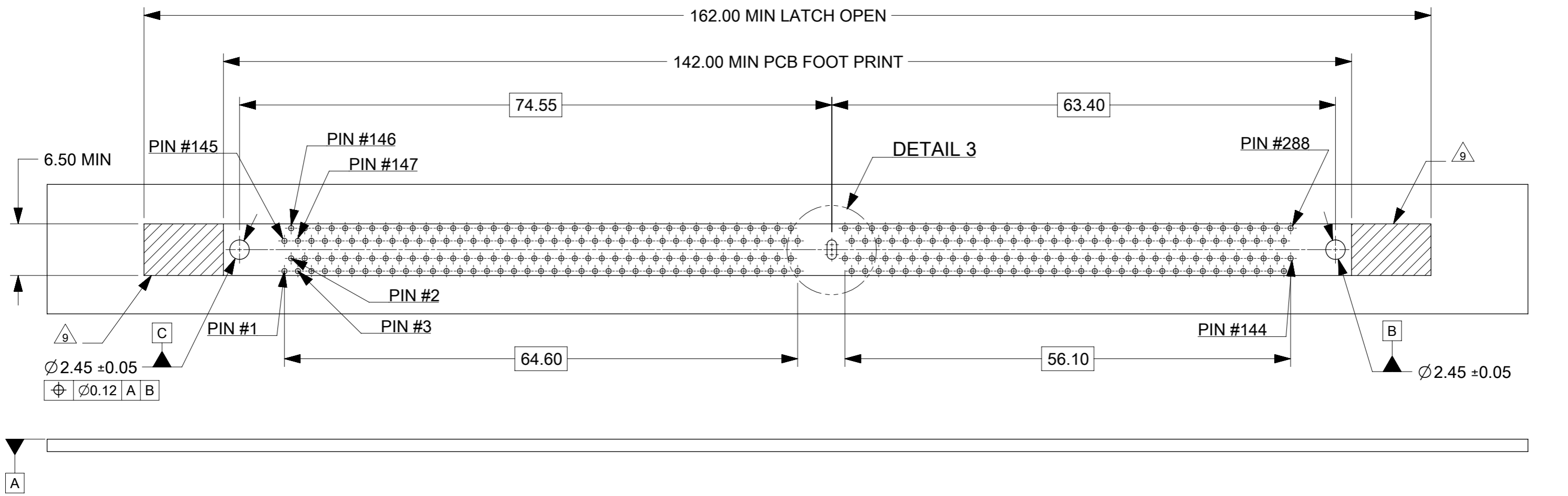
| | | | | | | | | | |
|---|---------|---|---------|--------|-----------------|----------------|--------------|--|--|
| THIS DRAWING CONTAINS INFORMATION THAT IS PROPRIETARY TO MOLEX ELECTRONIC TECHNOLOGIES, LLC AND SHOULD NOT BE USED WITHOUT WRITTEN PERMISSION | | | | | | | | | |
| DIMENSION UNITS | SCALE | CURRENT REV DESC: REMOVED OBSOLETE PART NUMBER AS PER PCN#511698. | | | | | | | |
| mm | NTS | | | | | | | | |
| GENERAL TOLERANCES (UNLESS SPECIFIED) | | | | | | | | | |
| ANGULAR TOL | ± 3.0 ° | DDR4 DIMM, 0.85MM PITCH 288CKTS, VERTICAL TH | | | | | | | |
| 4 PLACES | ± | EC NO: 742551 DRWN: SANTHN 2023/04/20 CHK'D: GGA 2023/05/12 APPR: GGA 2023/05/12 | | | | | | | |
| 3 PLACES | ± | PRODUCT CUSTOMER DRAWING | | | | | | | |
| 2 PLACES | ± 0.2 | INITIAL REVISION: DRWN: EFLEE 2012/03/08 APPR: EKSOH 2012/05/09 | | | | | | | |
| 1 PLACE | ± | DOCUMENT NUMBER: SD-78726-002 DOC TYPE: PSD DOC PART: 000 REVISION: A9 | | | | | | | |
| 0 PLACES | ± | MATERIAL NUMBER: SEE TABLE CUSTOMER: GENERAL MARKET SHEET NUMBER: 2 OF 6 | | | | | | | |
| DRAFT WHERE APPLICABLE MUST REMAIN WITHIN DIMENSIONS | | THIRD ANGLE PROJECTION | DRAWING | SERIES | MATERIAL NUMBER | CUSTOMER | SHEET NUMBER | | |
| | | | A3-SIZE | 78726 | SEE TABLE | GENERAL MARKET | 2 OF 6 | | |



| | | | | | | | | | | | | | | | |
|---|--|------------------------|--|---|--|----------|--|-----------------|--|-------------------------|--|--|--|--|--|
| THIS DRAWING CONTAINS INFORMATION THAT IS PROPRIETARY TO MOLEX ELECTRONIC TECHNOLOGIES, LLC AND SHOULD NOT BE USED WITHOUT WRITTEN PERMISSION | | | | | | | | | | | | | | | |
| DIMENSION UNITS | | SCALE | | CURRENT REV DESC: REMOVED OBSOLETE PART NUMBER AS PER PCN#511698. | | | | | | | | | | | |
| mm | | NTS | | DDR4 DIMM, 0.85MM PITCH 288CKTS, VERTICAL TH | | | | | | | | | | | |
| GENERAL TOLERANCES (UNLESS SPECIFIED) | | | | | | | | | | EC NO: 742551 | | | | | |
| ANGULAR TOL ± 3.0° | | | | | | | | | | DRWN: SANTHN 2023/04/20 | | | | | |
| 4 PLACES ± | | | | | | | | | | CHK'D: GGA 2023/05/12 | | | | | |
| 3 PLACES ± | | | | | | | | | | APPR: GGA 2023/05/12 | | | | | |
| 2 PLACES ± 0.2 | | | | INITIAL REVISION: | | | | | | | | | | | |
| 1 PLACE ± | | | | DRWN: EFLEE 2012/03/08 | | | | | | | | | | | |
| 0 PLACES ± | | | | APPR: EKSOH 2012/05/09 | | | | | | | | | | | |
| DRAFT WHERE APPLICABLE MUST REMAIN WITHIN DIMENSIONS | | THIRD ANGLE PROJECTION | | DRAWING | | SERIES | | MATERIAL NUMBER | | | | | | | |
| | | | | A3-SIZE | | 78726 | | SEE TABLE | | | | | | | |
| DOCUMENT NUMBER | | | | DOC TYPE | | DOC PART | | REVISION | | | | | | | |
| SD-78726-002 | | | | PSD | | 000 | | A9 | | | | | | | |
| CUSTOMER | | | | SHEET NUMBER | | | | | | | | | | | |
| GENERAL MARKET | | | | 3 OF 6 | | | | | | | | | | | |

| | | | | |
|-----------------|----|--------------|------------|----------|
| DOCUMENT STATUS | P1 | RELEASE DATE | 2023/05/12 | 06:17:40 |
|-----------------|----|--------------|------------|----------|

10 9 8 7 6 5 4 3 2 1



DETAIL 3

| | | | | | | | | | |
|---|---------|---|--|----------------|--|--------------|--|-----------------|--|
| THIS DRAWING CONTAINS INFORMATION THAT IS PROPRIETARY TO MOLEX ELECTRONIC TECHNOLOGIES, LLC AND SHOULD NOT BE USED WITHOUT WRITTEN PERMISSION | | | | | | | | | |
| DIMENSION UNITS | SCALE | CURRENT REV DESC: REMOVED OBSOLETE PART NUMBER AS PER PCN#511698. | | | | | | | |
| mm | NTS | | | | | | | | |
| GENERAL TOLERANCES (UNLESS SPECIFIED) | | | | | | | | | |
| ANGULAR TOL | ± 3.0 ° | EC NO: 742551 DRWN: SANTHN 2023/04/20 CHK'D: GGA 2023/05/12 APPR: GGA 2023/05/12 | | | | | | | |
| 4 PLACES | ± | INITIAL REVISION: DRWN: EFLEE 2012/03/08 APPR: EKSOH 2012/05/09 | | | | | | | |
| 3 PLACES | ± | | | | | | | | |
| 2 PLACES | ± 0.2 | DOCUMENT NUMBER | | DOC TYPE | | DOC PART | | REVISION | |
| 1 PLACE | ± | SD-78726-002 | | PSD | | 000 | | A9 | |
| 0 PLACES | ± | MATERIAL NUMBER | | CUSTOMER | | SHEET NUMBER | | | |
| DRAFT WHERE APPLICABLE MUST REMAIN WITHIN DIMENSIONS | | THIRD ANGLE PROJECTION | | DRAWING | | SERIES | | MATERIAL NUMBER | |
| | | | | A3-SIZE | | 78726 | | SEE TABLE | |
| | | | | GENERAL MARKET | | 4 OF 6 | | | |

| | | | | |
|-----------------|----|--------------|------------|----------|
| DOCUMENT STATUS | P1 | RELEASE DATE | 2023/05/12 | 06:17:40 |
|-----------------|----|--------------|------------|----------|

9 8 7 6 5 4 3 2 1

F
E
D
C
B
A

| CKT SIZE | ASSEMBLY PART NO. | HOUSING COLOR | LATCH COLOR | DIM "P" | RECOMMENDED PCB THICKNESS | PLATING OPTION | | PRODUCT SPEC. NO. | PACKAGING SPEC. NO. |
|------------|-------------------|---------------|-------------|---------|---------------------------|--|--|-------------------|---------------------|
| | | | | | | TERMINAL | FORKLOCK | | |
| 288 | 78726-1051 | BLACK | BLACK | 2.10 | 1.57 | 0.76 MICROMETER (30 MICROINCH) MIN GOLD ON CONTACT | 1 MICROMETER (40 MICROINCH) MIN TIN OVERALL (PRE-PLATED) | PS-78726-001 | PK-78726-001 |
| | 78726-1039 | | | 2.40 | 1.57 | | | | |
| | 78726-1002 | | | 2.67 | 1.57 | | | | |
| | 78726-1003 | | | 3.18 | 2.36 | | | | |
| | 78726-1026 | | | 3.50 | 3.00 | | | | |
| | 78726-1040 | BLACK | WHITE | 2.40 | 1.57 | | | | |
| | 78726-1004 | | | 2.67 | 1.57 | | | | |
| | 78726-1005 | | | 3.18 | 2.36 | | | | |
| | 78726-1041 | WHITE | BLACK | 2.40 | 1.57 | | | | |
| | 78726-1054 | WHITE | WHITE | 2.10 | 1.57 | | | | |
| | 78726-1042 | | | 2.40 | 1.57 | | | | |
| | 78726-1029 | | | 3.50 | 3.00 | | | | |
| | 78726-1055 | | | 2.10 | 1.57 | | | | |
| | 78726-1043 | BLUE | BLUE | 2.40 | 1.57 | | | | |
| | 78726-1010 | | | 2.67 | 1.57 | | | | |
| | 78726-1011 | | | 3.18 | 2.36 | | | | |
| | 78726-1030 | | | 3.50 | 3.00 | | | | |
| | 78726-1023 | BLUE | WHITE | 3.18 | 2.36 | | | | |
| | 78726-1064 | YELLOW | WHITE | 2.40 | 1.57 | | | | |
| | 78726-0081 | BLACK | BLACK | 3.18 | 2.36 | | | | |
| 78726-3005 | WHITE | | | 3.18 | 2.36 | | | | |
| 78726-3052 | | | | 2.10 | 1.57 | | | | |
| 78726-4039 | | | | BLACK | 2.40 | 1.57 | | | |
| 78726-4040 | | | | WHITE | 2.40 | 1.57 | | | |

THIS DRAWING CONTAINS INFORMATION THAT IS PROPRIETARY TO MOLEX ELECTRONIC TECHNOLOGIES, LLC AND SHOULD NOT BE USED WITHOUT WRITTEN PERMISSION

| | | | | | |
|--|---------|---|---|--------------|--|
| DIMENSION UNITS | SCALE | CURRENT REV DESC: REMOVED OBSOLETE PART NUMBER AS PER PCN#511698. | molex | | |
| mm | NTS | | | | |
| GENERAL TOLERANCES (UNLESS SPECIFIED) | | EC NO: 742551 DRWN: SANTHN 2023/04/20 CHK'D: GGA 2023/05/12 APPR: GGA 2023/05/12 | DDR4 DIMM, 0.85MM PITCH 288CKTS, VERTICAL TH | | |
| ANGULAR TOL | ± 3.0 ° | | PRODUCT CUSTOMER DRAWING | | |
| 4 PLACES | ± | | DOCUMENT NUMBER | | |
| 3 PLACES | ± | | SD-78726-002 | | |
| 2 PLACES | ± 0.2 | | DOC TYPE | | |
| 1 PLACE | ± | | PSD | | |
| 0 PLACES | ± | DOC PART | | | |
| DRAFT WHERE APPLICABLE MUST REMAIN WITHIN DIMENSIONS | | THIRD ANGLE PROJECTION | | SHEET NUMBER | |
| | | DRAWING | | 5 OF 6 | |
| | | SERIES | | | |
| | | A3-SIZE | | | |
| | | 78726 | | | |
| | | MATERIAL NUMBER | | | |
| | | SEE TABLE | | | |
| | | CUSTOMER | | | |
| | | GENERAL MARKET | | | |

| CKT SIZE | ASSEMBLY PART NO. | HOUSING COLOR | LATCH COLOR | DIM "P" | RECOMMENDED PCB THICKNESS | PLATING OPTION | | PRODUCT SPEC. NO. | PACKAGING SPEC. NO. |
|------------|-------------------|---------------|-------------|---------|---------------------------|--|--|-------------------|---------------------|
| | | | | | | TERMINAL | FORKLOCK | | |
| 288 | 78726-1045 | BLACK | BLACK | 2.40 | 1.57 | 0.38 MICROMETER (15 MICROINCH) MIN GOLD ON CONTACT | 1 MICROMETER (40 MICROINCH) MIN TIN OVERALL (PRE-PLATED) | PS-78726-002 | PK-78726-001 |
| | 78726-1012 | | | 2.67 | 1.57 | | | | |
| | 78726-1013 | | | 3.18 | 2.36 | | | | |
| | 78726-1032 | | | 3.50 | 3.00 | | | | |
| | 78726-1046 | BLACK | WHITE | 2.40 | 1.57 | | | | |
| | 78726-1033 | | | 3.50 | 3.00 | | | | |
| | 78726-1059 | WHITE | BLACK | 2.10 | 1.57 | | | | |
| | 78726-1047 | | | 2.40 | 1.57 | | | | |
| | 78726-1048 | WHITE | WHITE | 2.40 | 1.57 | | | | |
| | 78726-1018 | | | 2.67 | 1.57 | | | | |
| | 78726-1035 | | | 3.50 | 3.00 | | | | |
| | 78726-1049 | | | 2.40 | 1.57 | | | | |
| | 78726-1020 | BLUE | BLUE | 2.67 | 1.57 | | | | |
| | 78726-1021 | | | 3.18 | 2.36 | | | | |
| | 78726-1036 | BLUE | WHITE | 3.50 | 3.00 | | | | |
| | 78726-1050 | | | 2.40 | 1.57 | | | | |
| | 78726-1037 | | | 3.50 | 3.00 | | | | |
| | 78726-1072 | | | 3.50 | 3.00 | | | | |
| | 78726-3012 | BLACK | BLACK | 2.67 | 1.57 | | | | |
| | 78726-3032 | | | 3.50 | 3.00 | | | | |
| 78726-3020 | BLUE | BLUE | 2.67 | 1.57 | | | | | |
| 78726-3036 | | | 3.50 | 3.00 | | | | | |
| | | | | | | | | | 787260003 |

THIS DRAWING CONTAINS INFORMATION THAT IS PROPRIETARY TO MOLEX ELECTRONIC TECHNOLOGIES, LLC AND SHOULD NOT BE USED WITHOUT WRITTEN PERMISSION

| | | | | | |
|--|------------------------|---|---|-----------------|----------------|
| DIMENSION UNITS | SCALE | CURRENT REV DESC: REMOVED OBSOLETE PART NUMBER AS PER PCN#511698. | molex | | |
| mm | NTS | | | | |
| GENERAL TOLERANCES (UNLESS SPECIFIED) | | | DDR4 DIMM, 0.85MM PITCH 288CKTS, VERTICAL TH | | |
| ANGULAR TOL | ± 3.0 ° | | PRODUCT CUSTOMER DRAWING | | |
| 4 PLACES | ± | EC NO: 742551 | DOCUMENT NUMBER | | |
| 3 PLACES | ± | DRWN: SANTHN 2023/04/20 | SD-78726-002 | | |
| 2 PLACES | ± 0.2 | CHK'D: GGA 2023/05/12 | DOC TYPE | DOC PART | REVISION |
| 1 PLACE | ± | APPR: GGA 2023/05/12 | PSD | 000 | A9 |
| 0 PLACES | ± | INITIAL REVISION: | | | |
| | | DRWN: EFLEE 2012/03/08 | | | |
| | | APPR: EKSOH 2012/05/09 | | | |
| DRAFT WHERE APPLICABLE MUST REMAIN WITHIN DIMENSIONS | THIRD ANGLE PROJECTION | DRAWING | SERIES | MATERIAL NUMBER | CUSTOMER |
| | | A3-SIZE | 78726 | SEE TABLE | GENERAL MARKET |
| | | | | | SHEET NUMBER |
| | | | | | 6 OF 6 |