



TAI-SAW TECHNOLOGY CO., LTD.

No. 3, Industrial 2nd Rd., Ping-Chen Industrial District,
Taoyuan, 324, Taiwan, R.O.C.

TEL: 886-3-4690038 FAX: 886-3-4697532

E-mail: tstsales@mail.taisaw.com Web: www.taisaw.com

Approval Sheet For Product Specification

Issued Date: Aug, 21, 2007

Product Name: SAW Filter 2160 MHz SMD 3.0X3.0 mm

TST Parts No.: TA0733A

Customer Parts No.: _____

Company: _____
Division: _____
Approved by : _____
Date: _____

Checked by: _____ Bob Chau

Approval by: _____ Francis Chen

Date: _____ 8, 21, 2007



TAI-SAW TECHNOLOGY CO., LTD.

No. 3, Industrial 2nd Rd., Ping-Chen Industrial District,
Taoyuan, 324, Taiwan, R.O.C.

TEL: 886-3-4690038 FAX: 886-3-4697532

E-mail: tstsales@mail.taisaw.com Web: www.taisaw.com

SAW Filter 2160 MHz

MODEL NO.:TA0733A

REV. NO.:1

A. MAXIMUM RATING:

1. Input Power Level: 10 dBm
2. DC Voltage : 3V
3. Operating Temperature: -30°C to +80°C
4. Storage Temperature: -40°C to +85°C

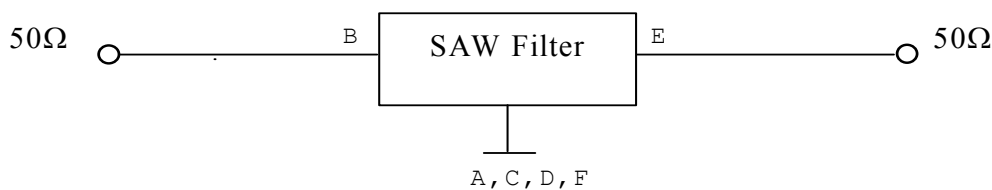
RoHS Compliant
Lead free
Lead-free soldering

B. ELECTRICAL CHARACTERISTICS:

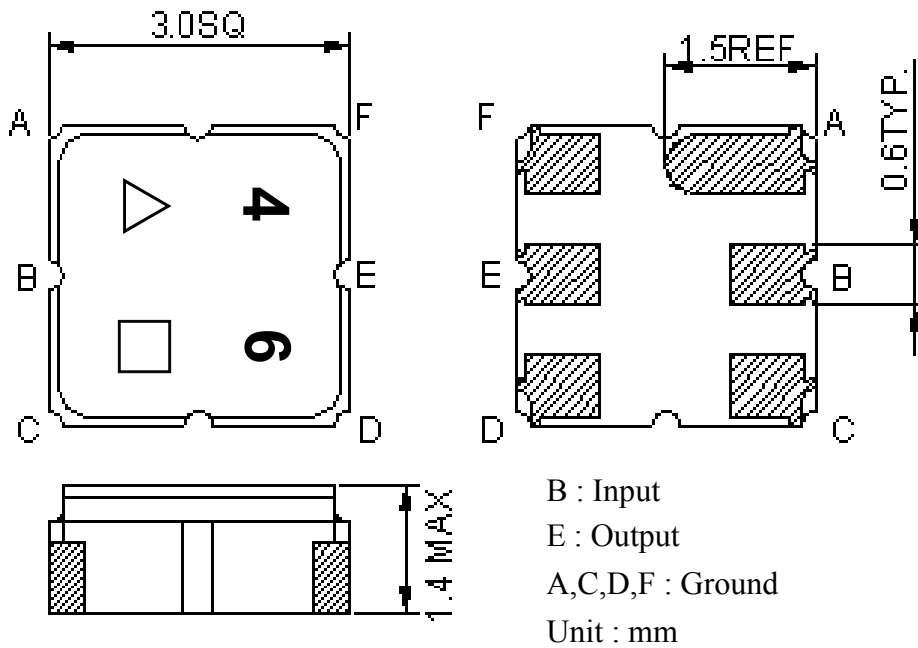
Item	Unit	Min.	Type.	Max.	Note
Center Frequency Fc	MHz	-	2160	-	-
Insertion Loss (2150 ~ 2170 MHz) IL	dB	-	2	3.5	-
Amplitude Ripple (2150 ~ 2170 MHz)	dB	-	0.2	2	-
VSWR (2150 ~ 2170 MHz)		-	1.3	2.3	-
Attenuation (Reference level from 0 dB)					
D.C ~ 500 MHz	dB	21	39	-	-
500 ~ 1900 MHz	dB	20	35	-	-
1900 ~ 2050 MHz	dB	25	38	-	-
2050 ~ 2090 MHz	dB	30	35	-	-
2240 ~ 2300 MHz	dB	20	49	-	-
2300 ~ 4500 MHz	dB	22	29	-	-

C. MEASUREMENT CIRCUIT:

HP Network analyzer



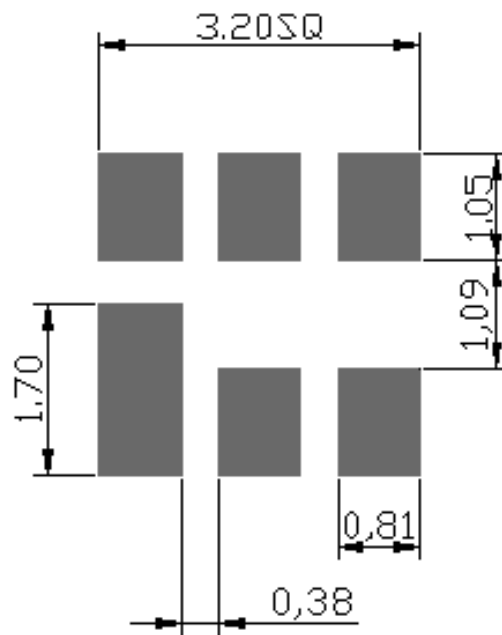
D.OUTLINE DRAWING:



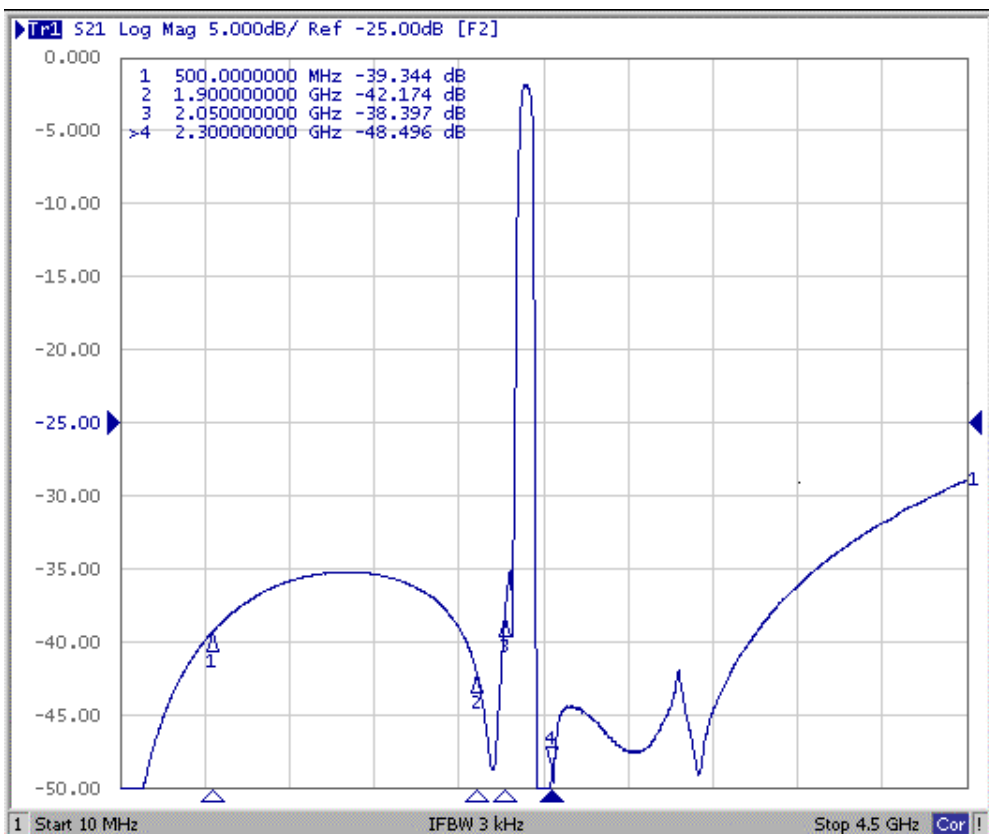
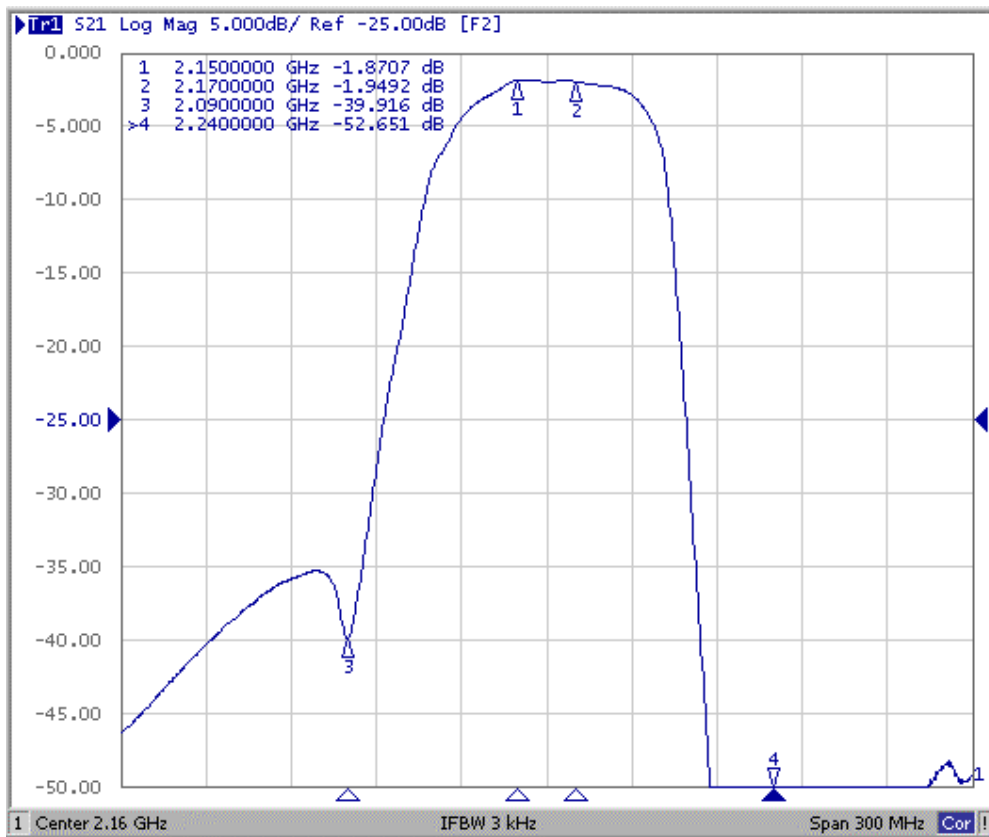
△ : Year Code (2006->6, ..., 2009->9)

□ : Date Code (Follow the table from planner each year)

E. PCB Footprint:

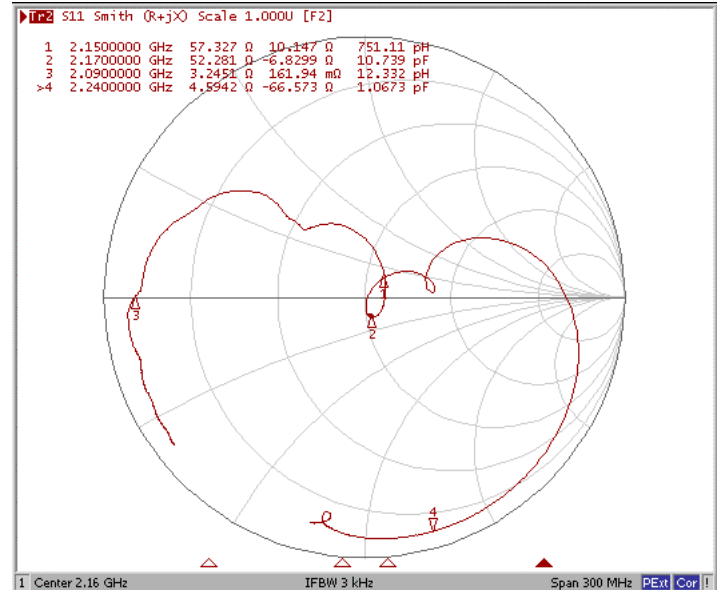
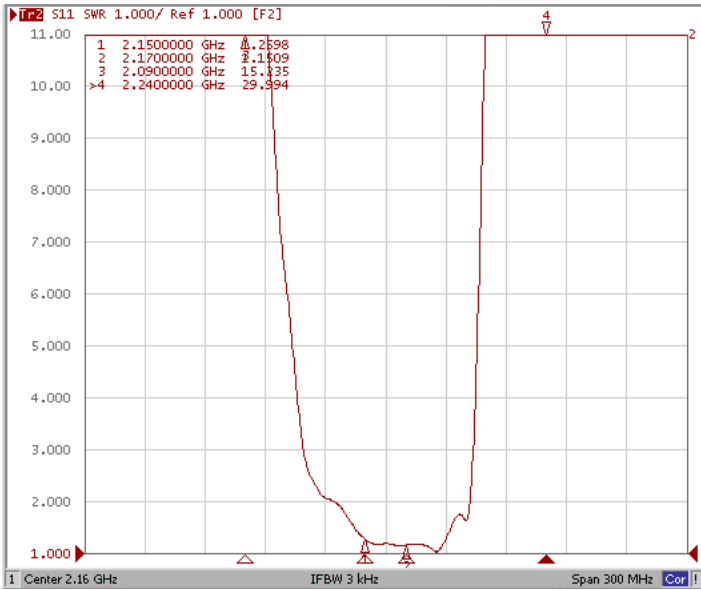


F. Frequency Characteristics :

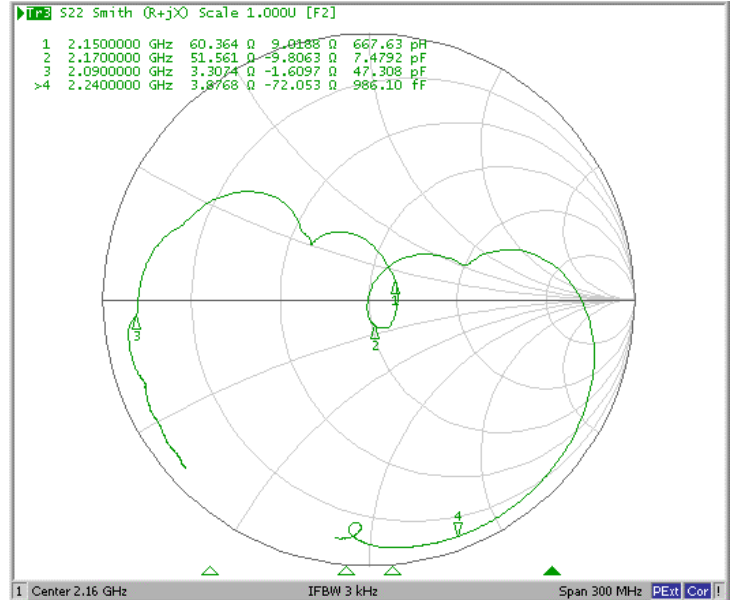
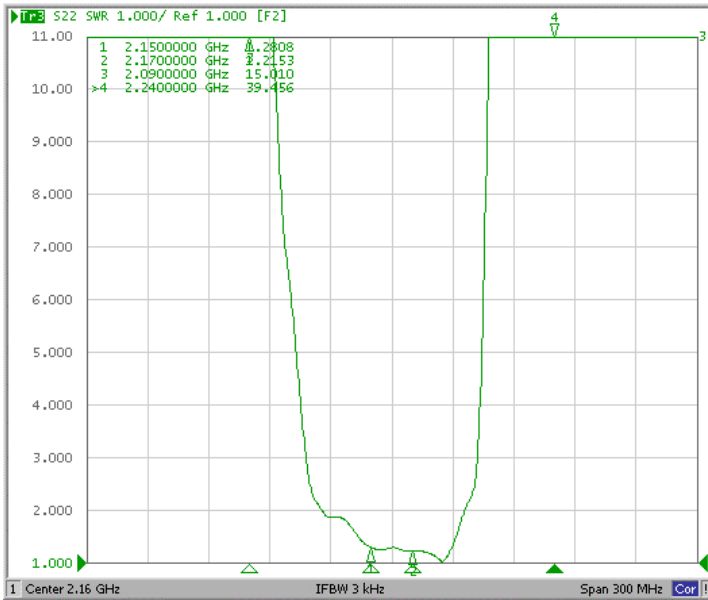


Reflection Functions :

S11



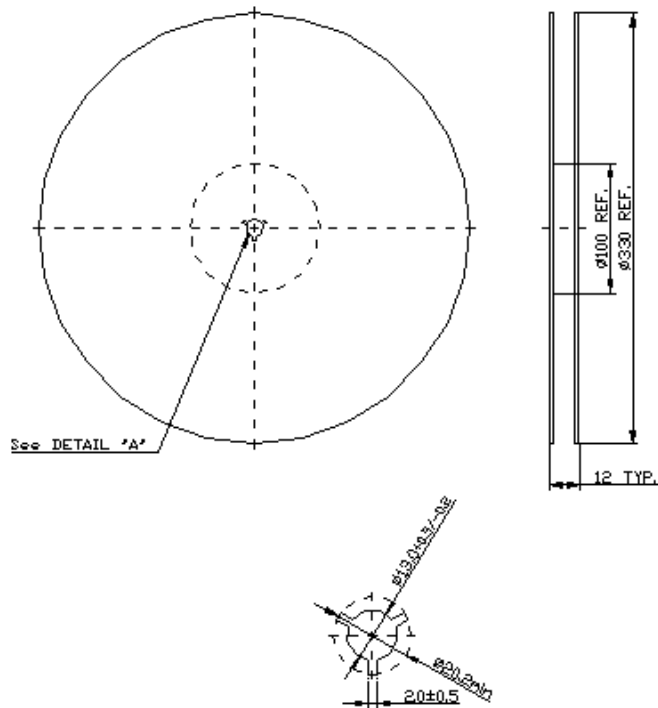
S22



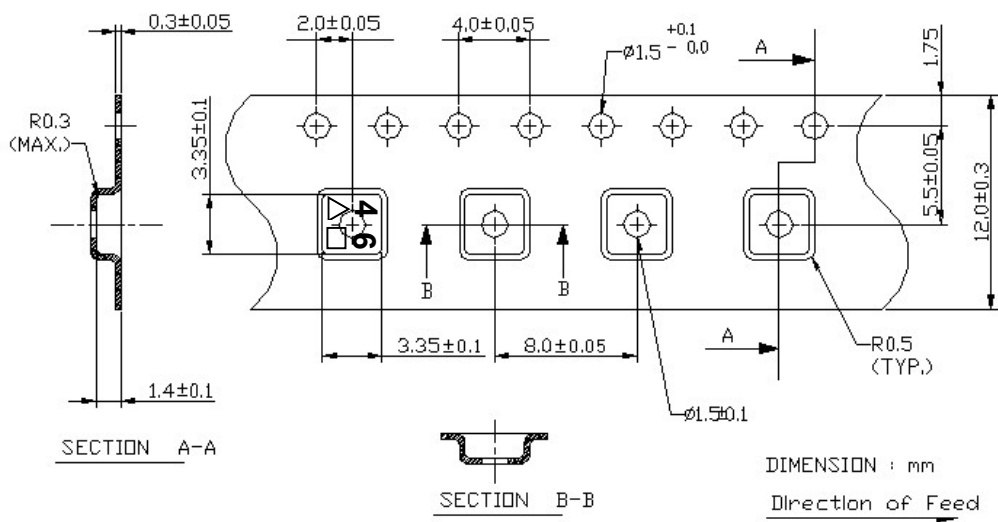
G. PACKING:

1. REEL DIMENSION

(Reel Count : 7"=1000 ; 13"=3000)



2. TAPE DIMENSION



H. RECOMMENDED REFLOW PROFILE :

