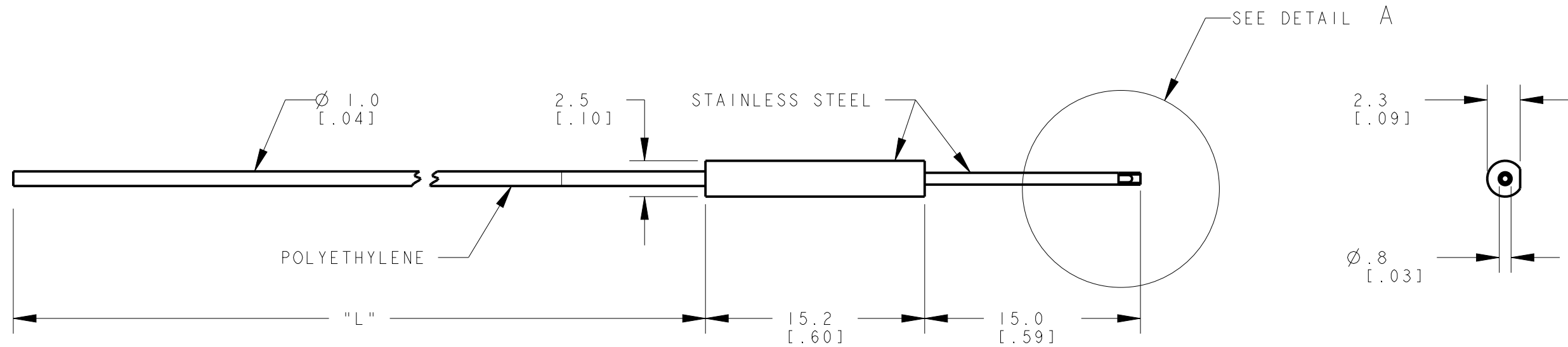
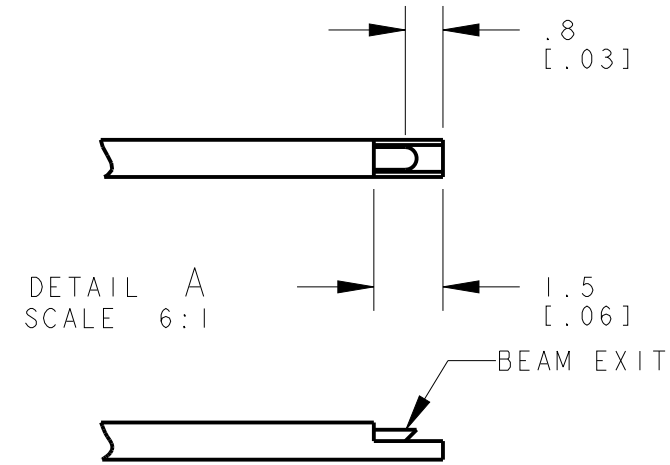


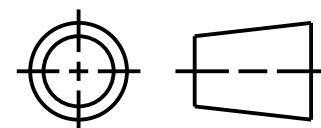
MODEL NO.	"L"	P/N
PIPSM26U	2000 [79]	38237
PIPSM23U	1000 [39]	73833



NOTES:
 1. ALL DIMENSIONS ARE MILLIMETERS [INCHES] UNLESS OTHERWISE NOTED.
 2. REFER TO "www.bannerengineering.com" FOR ADDITIONAL DATA AND SPECIFICATIONS.

This drawing is the property of BANNER ENGINEERING CORP. Any use or reproduction, in any form, without prior written permission of Banner is prohibited. © 2015 Banner Engineering Corp.

THIRD ANGLE PROJECTION



		BANNER ENGINEERING CORP.	
		www.bannerengineering.com	
TITLE			
PIPSM2 SERIES UNTERMINATED			
SIZE B	DRAWING NO. 192756	REV. A	
SCALE 3:1		SHEET 1 OF 1	

CREO