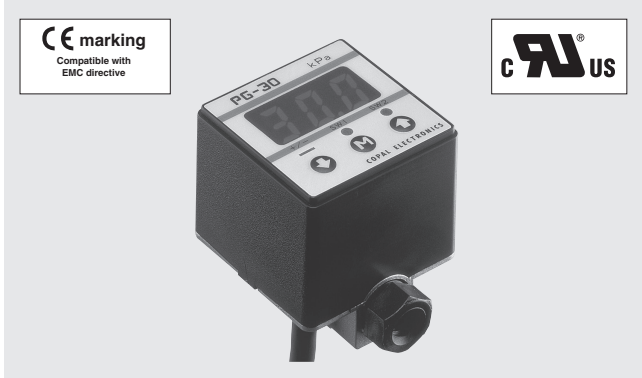


# PRESSURE GAUGES

# PG-30



## FEATURES

- **Compact and lightweight general-purpose pressure gauges**

Innovative general-purpose gauges of compact design (30mm sq.) and drip-proof structure (IP65).

- **Clear indication by LED**

Easy-to-see LED assures clear readings on the panel and even in a dark place.

- **Various modes and units can be selected according to applications**

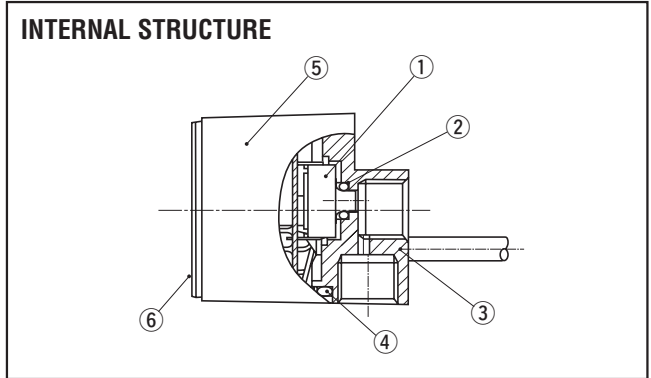
Eight different pressure units  
 Three analog output modes  
 Eight switch output modes

- **Meet EMC standards**

EN 55011 (EMI)  
 EN 61326-1 (EMS)

- **Low consumption by nondisplay mode**

- **Set data protection by panel lock function**



	Part name	Material
①	Pressure sensor	P-2000
②	Sensor "O" ring	NBR
③	Adaptor	Aluminum Die-casting
④	Case "O" ring	NBR
⑤	Case	PBT (Polybutyleneterephthalate)
⑥	Panel sheet	Polyester

## MODEL NUMBER DESIGNATION

Non-corrosive gases type

PG-30-101 R-N

Series name

Pressure range

101 : - 10 ~ 10 kPa  
 102 : - 100 ~ 100 kPa  
 103 : - 100 ~ 1000 kPa

Switch output interface

N : NPN open collector  
 P : PNP open collector

Pressure reference

R : Compound pressure (Negative pressure ~ Positive pressure)

## LIST OF MODEL NUMBERS

Pressure medium	Fitting	Switch output interface	Pressure reference	Gauge		
			Rated pressure range	-10 ~ 10 kPa	-100 ~ 100 kPa	-100 ~ 1000 kPa
Non-corrosive gases	Rc 1/8	NPN		PG-30-101R-N	PG-30-102R-N	PG-30-103R-N
		PNP		PG-30-101R-P	PG-30-102R-P	PG-30-103R-P

※ Verify the above model numbers when placing orders.

## ACCESSORIES (Sold separately)

Name	Series name	Contents	Applicable model
Rear panel bracket set	ACPG-001	Rear panel bracket and M 3 × 4 male screw (2pcs.)	PG-30
Panel bracket set	ACPG-002	Panel bracket and M 3 × 4 male screw (2pcs.)	PG-30
Panel holder set	ACPG-003	Panel holder cover Panel holder Panel stopper (2pcs.)	PG-30 · PG-35 · PG-75 · PG-35H · PG-35L
Holder cover set (For protecting gauge operating panel)	ACPG-004	Panel holder cover Panel holder	PG-30 · PG-35 · PG-75 · PG-35H · PG-35L

## STANDARD SPECIFICATIONS

● Unless otherwise specified, the specs are defined at an ambient temperature of 25±5 °C and excitation voltage of 12 V DC.

Item	Model number	PG-30			
		101R	102R	103R	
General specifications	Pressure reference	Gauge			
	Pressure medium	Non-corrosive gases			
	Rated pressure range	kPa	-10 ~ 10	-100 ~ 100	-100 ~ 1000
	Maximum pressure	kPa	20	200	1500
	Break-down pressure	kPa	50	500	2000
	Operating temp. range	°C	-10 ~ 50		
	Compensated temp. range	°C	0 ~ 50		
	Operating humidity	%RH	35 ~ 85		
	Protection grade		In accordance with IEC IP65		
	Pressure port		2-Rc 1/8		
	Material of pressure port attachment		Aluminum die-casting, silicone		
	Net weight	g	Approx. 80 (Including 2 m cable)		
	Thermal error		±3 %F.S. (0 ~ 50 °C)		
	Insulation resistance		100 MΩ minimum (DC500 V)		
	Dielectric strength		AC500 V 1 minute (Leakage current 1 mA maximum)		
	Input voltage		10.8 ~ 30 V DC (Including ripple percentage)		
	Consumption current		50 mA maximum		

# PG-30

## PRESSURE GAUGES

### STANDARD SPECIFICATIONS

● Unless otherwise specified, the specs are defined at an ambient temperature of  $25 \pm 5 \text{ }^\circ\text{C}$  and excitation voltage of 12 V DC.

Item		Model number	PG-30		
			101R	102R	103R
Display	Display element		Full 3-digit LED		
	Rated display range	kPa	- 9.99 ~ 9.99	- 99.9 ~ 99.9	- 100 ~ 999
	Multiplier settings		Max. 11 settings		
	Negative pressure display		Red LED is ON.		
	Display accuracy		$\pm 1 \%$		
Switch output	Output status		NPN/PNP 2-point output (Transistor, Open collector output)		
	Output mode		Separate mode / window comparator mode		
	Switching capacity		30 V DC 100 mA Short-circuit protection		
	Residual voltage		1.2 V maximum (NPN), 2.2 V maximum (PNP) (At load current of 100 mA)		
	State indication		Output 1 (Green LED),	Output 2 (Red LED)	Lighted when output is ON.
	Switch hysteresis		0 ~ 300 counts (Adjustable)		
	Repeatability		$\pm 0.2 \%$ F.S. $\pm 1$ count ( $\pm 0.3 \%$ F.S. maximum)		
	Response		Approx. 5, 25, 250, 2500 ms Adjustable		
Analog output	Output mode		3 modes		
	Output voltage V zero : Pin=0, V span : Pin=0 ~ Pin (H)	1 ~ 5 V	G/V mode ZERO : $1 \pm 0.2 \text{ V}$ , SPAN : $4 \pm 0.2 \text{ V}$ R mode ZERO : $3 \pm 0.2 \text{ V}$ , SPAN : $2 \pm 0.2 \text{ V}$	103 R (R mode)	ZERO : $1.36 \pm 0.2 \text{ V}$ SPAN : $3.64 \pm 0.2 \text{ V}$
	Impedance		10 k $\Omega$		
	Resolution		1/204		
	Response		Approx. 5, 25, 250, 2500 ms Adjustable		
Accessories			Seal screw, M 5 connecting joint screw		

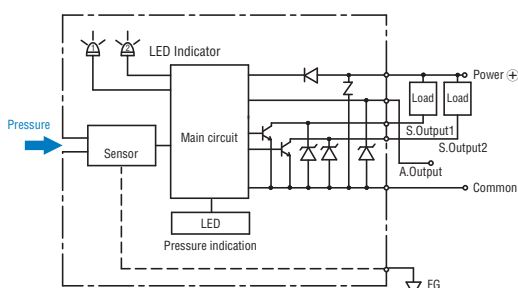
### ENVIRONMENTAL CHARACTERISTICS

Test item	Test conditions	Permissible change
Vibration	10 ~ 500 Hz, 98.1 m/s <sup>2</sup> or 1.5 mm P-P, 3 directions for 2 hours each	$\pm 2 \%$ F.S. maximum after test ※ 1 Amount of analog output fluctuation is permitted by adding conversion error of 20 mV.
Shock	490 m/s <sup>2</sup> , 3 directions for 3 times each	
Pressure cycling	0 ~ Rated pressure, 10 <sup>6</sup> cycles	
Moisture resistance	40 °C, 90 ~ 95 %RH, 240 hrs.	
EMC	EMI : EN55011: 2007, A2 : 2007 Group 1, class B EMS : EN61326-1 : 2006 Table 2	※ 1 Pressure indication, switch operating pressure and analog output : $\pm 5 \%$ F.S. maximum during test

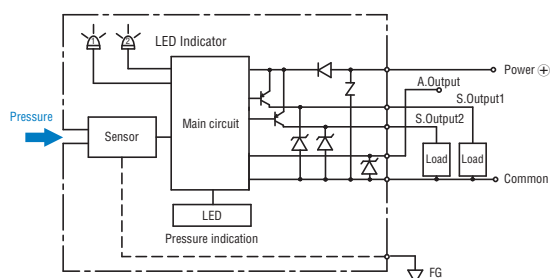
※ 1 Change in the pressure indication, switch operating points and analog output.

### INTERNAL ELECTRICAL SCHEMATICS

● NPN



● PNP





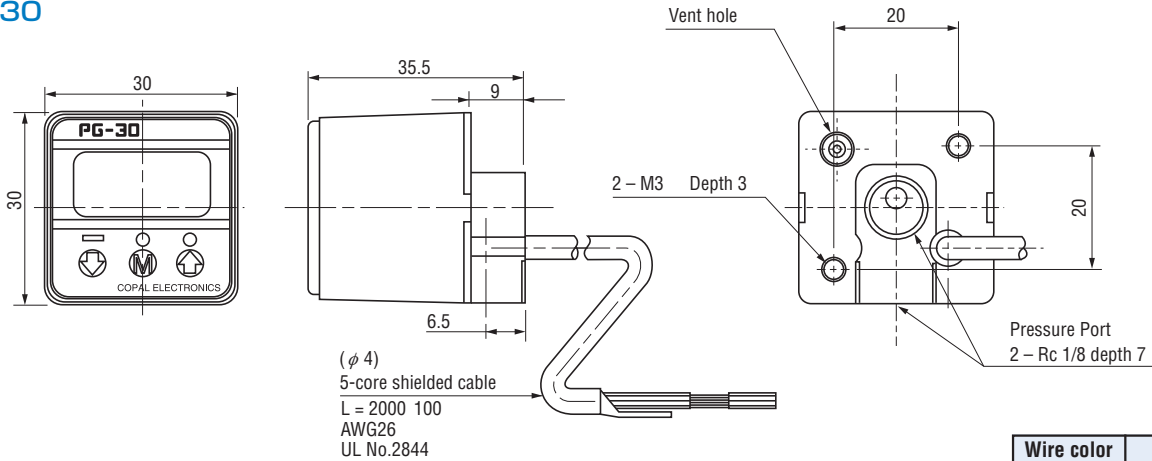
# PG-30

## PRESSURE GAUGES

### OUTLINE DIMENSIONS

#### PG-30

Unless otherwise specified tolerance : ± 0.5 (Unit: mm)



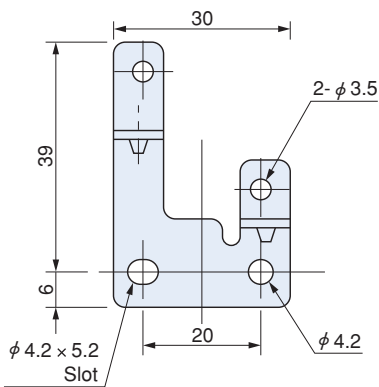
Wire color	Connection
Brown	Power ⊕
Gray	Analog output
Black	Switch output 1
White	Switch output 2
Blue	Common
Shield	Fitting

### HOW TO MOUNT OPTIONAL ACCESSORIES (Sold separately)

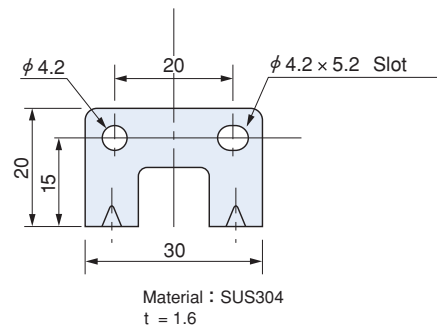
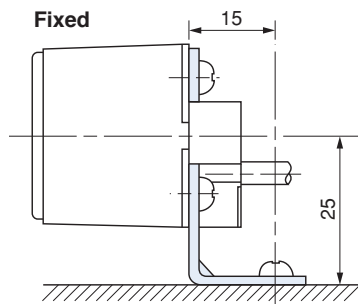
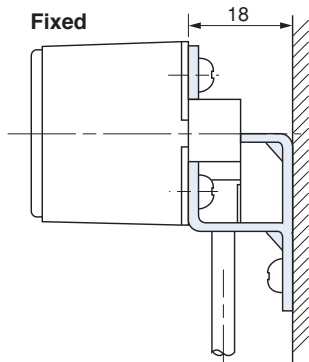
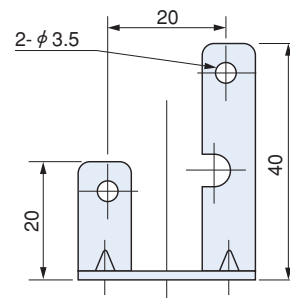
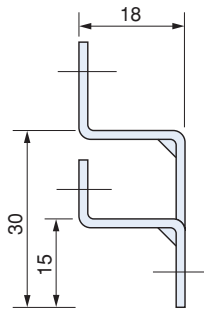
(Unit: mm)

#### PG-30 Rear panel mounting bracket

#### PG-30 Panel mounting bracket



Material : SUS304  
t = 1.5



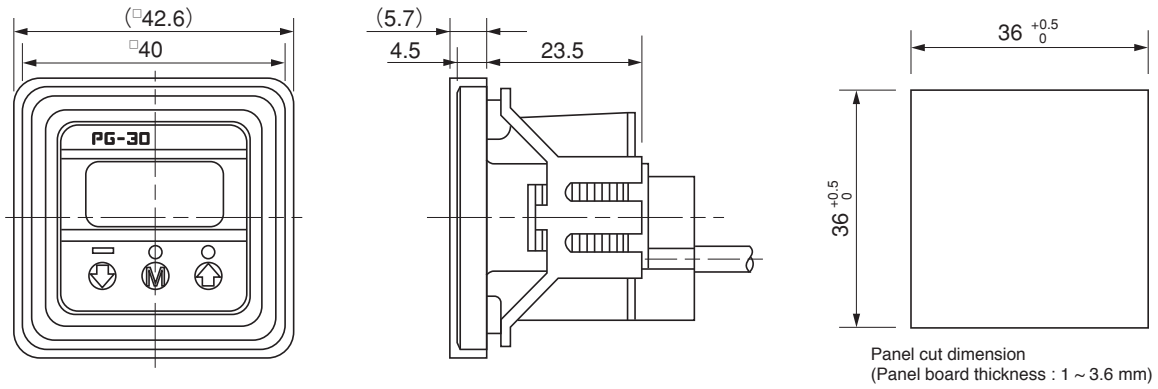
Material : SUS304  
t = 1.6

# PG-30 PRESSURE GAUGES

## ■ HOW TO MOUNT OPTIONAL ACCESSORIES (Sold separately)

(Unit: mm)

### ● PG-30 • PG-35 • PG-35H • PG-35L • PG-75 Panel cut holder set & holder cover set



### ● Panel holder cover set

