

PART NUMBER

KAD179420

REV.

DATE

COMMENTS

INITIAL

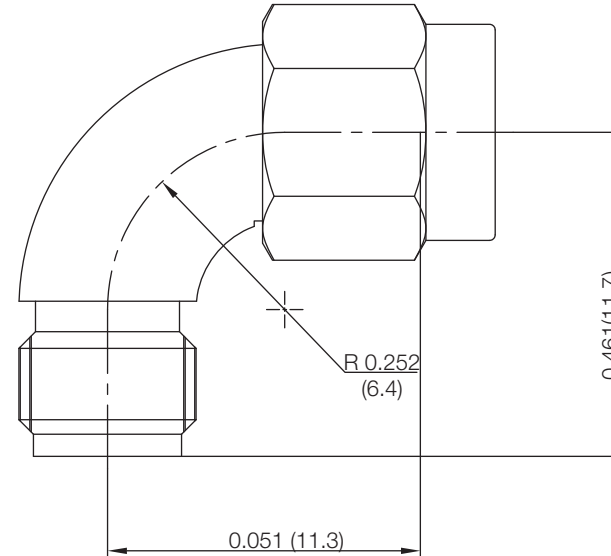
Electrical Data

Impedance	50 Ω
Frequency Range	DC - 18 GHz
Insertion Loss	0.05XSQRT[F(GHz)] dB MAX
Voltage Rating	500 VRMS
Insulation Resistance	$\geq 5000 M\Omega$
Dielectric Withstanding Voltage	2000 VRMS
VSWR	≤ 1.15 MAX. @ DC-6 GHz, 1.30 MAX. @ DC-18 GHz

Mechanical Data

Durability	100 Cycles Min
Temperature Range	-40 °C - 85 °C

RoHS Compliant



Drawing not to scale. Dimensions for reference only

Units: inches (mm)

Konnect RF

WWW.KONNECTRF.COM
1-800-790-5887

PART NUMBER

KAD179420

DESCRIPTION

Adapter, In-Series, SMA Radius Right Angle Male Plug to Female Jack

CAGE CODE

664U0

SIGNATURE

X

Component

Body
Center Contact
Insulator

Material

Stainless Steel
BeCu
PTFE

Plating

Passivated
Gold

THIS DRAWING INCLUDING THE DESIGNS IS THE PROPERTY OF KONNECT RF AND IS NOT TO BE USED FOR ANY PURPOSE WITHOUT OUR APPROVAL.