

MODEL:

# CSC36AC

## 36-Device AC Charging Station Cart



Holds up to 36 Ultrabooks



2-Zone Charging Timer



250 lb. Load Rating



Sturdy Steel Construction



Locking Doors



Adjustable Storage Shelf Dividers

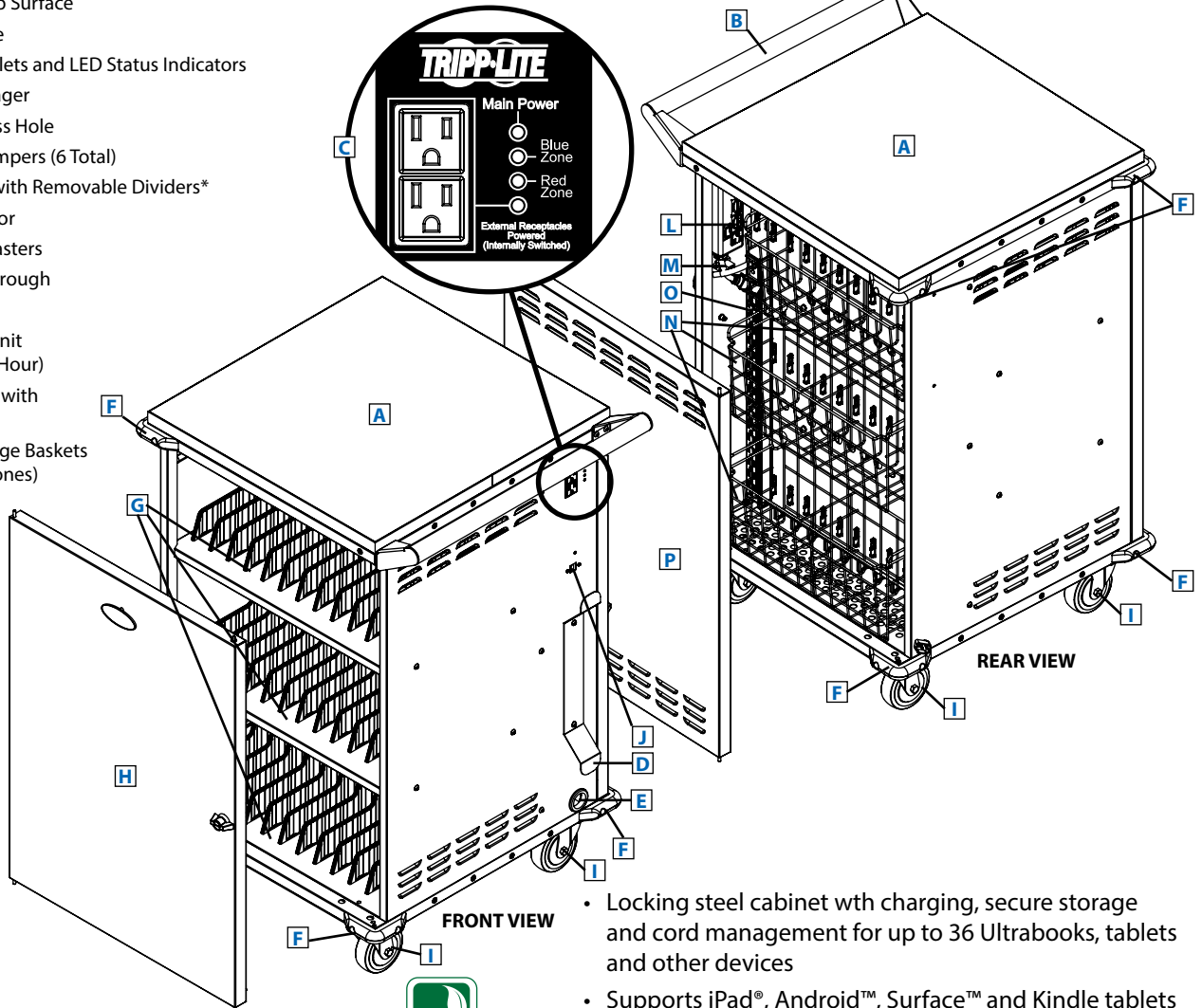
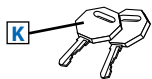


Ventilated for Ample Airflow

- A** Laminate Desktop Surface
- B** Reversible Handle
- C** Convenience Outlets and LED Status Indicators
- D** Power Cord Manager
- E** Power Cord Access Hole
- F** Corner Safety Bumpers (6 Total)
- G** Storage Shelves with Removable Dividers\*
- H** Locking Front Door
- I** Swivel Locking Casters
- J** Cat6 RJ45 Pass Through
- K** Keys
- L** Charging Timer Unit (Charges 1 Zone/Hour)
- M** 10 ft. Power Cord with 5-15P Plug
- N** Power Brick Storage Baskets (Divided into 2 Zones)
- O** 18-Outlet AC Power Distribution Units\*\* (2 Total)
- P** Locking Rear Door

\*Each storage shelf is divided into two zones (Red and Blue). The device spaces for each zone are numbered.

\*\*Each of the charger unit's outlets are organized in 3 groups of 6 outlets per zone.



### Specifications

Model	CSC36AC
Cabinet Dimensions (H x W x D)	40.03 x 24.30 x 23.56 in. / 1017 x 617 x 598 mm
Unit Weight	110.23 lb. / 50 kg
Load Capacity	250 lb. / 113 kg
AC Receptacles	Power Distribution Units: 36 x 5-15R (Divided into Two Zones)
External Convenience Outlets:	2 x 5-15 R (Operated via the Charging Timer Unit Switch)
Internal Outlet:	1 x 5-15R (Reserved for Future Expansion)
Power Requirement	Input: 120V AC, 50/60 Hz, 12 Amps
Operating Temperature	32° to 104° F (0° to 40° C)
Operating Humidity	5 to 95% RH, Non-Condensing

\*The load rating includes the combined weight of the unit and installed equipment. The unit must be mounted to a stable surface with user-supplied anchors capable of bearing the full load.

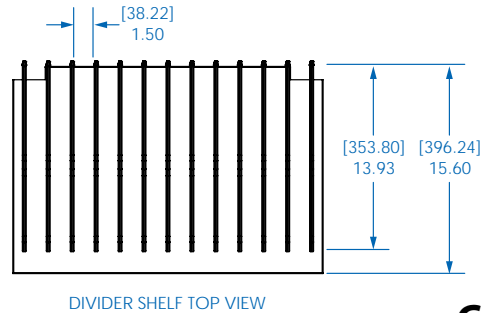
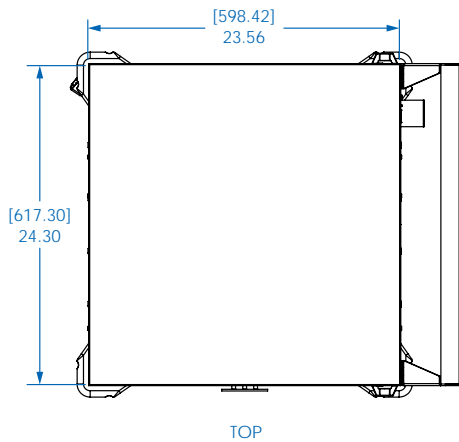
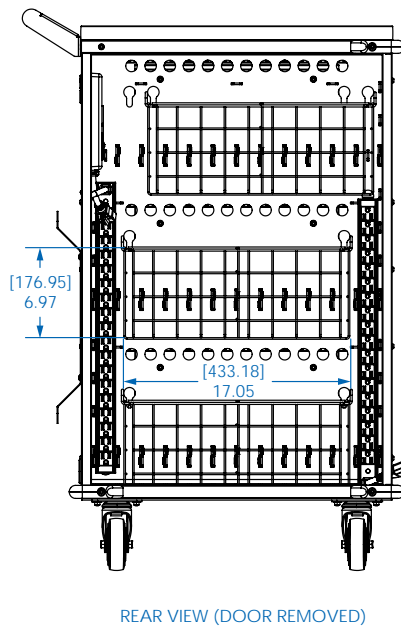
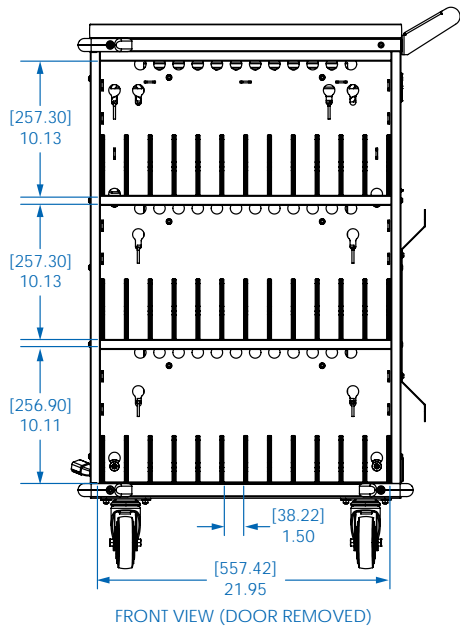
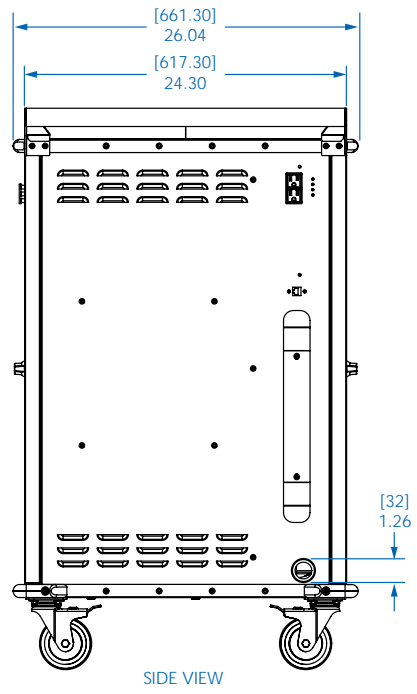
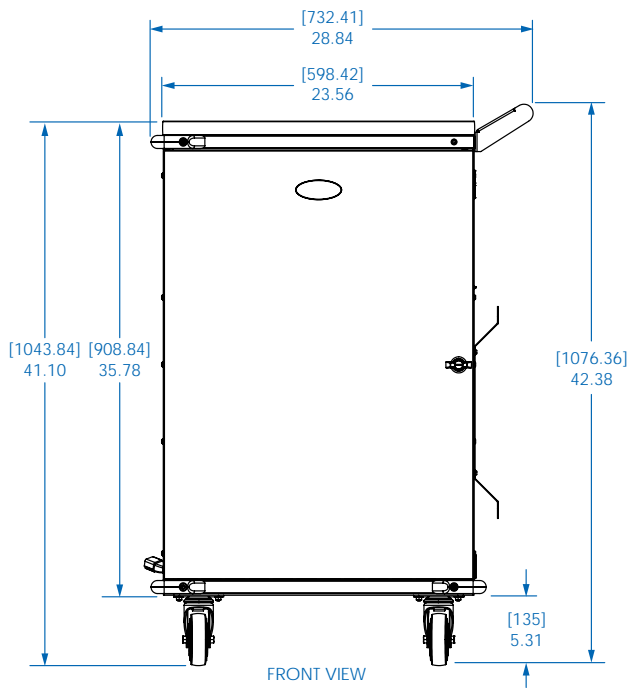


- Locking steel cabinet with charging, secure storage and cord management for up to 36 Ultrabooks, tablets and other devices
- Supports iPad®, Android™, Surface™ and Kindle tablets
- Adjustable/removable storage shelf dividers accommodate thicker devices
- Door locks with included keys prevent device theft, damage or tampering

**SEE NEXT PAGE FOR DETAILED UNIT MEASUREMENTS**



1111 W. 35th Street  
Chicago, IL 60609 USA  
773.869.1234  
www.tripplite.com



MODEL:  
**CSC36AC**  
**TRIPP·LITE**

1111 W. 35th Street  
 Chicago, IL 60609 USA  
 773.869.1234  
 www.triplite.com

Dimensions: [mm] INCHES

Tripp Lite has a policy of continuous improvement. Specifications are subject to change without notice. Photos and illustrations may differ slightly from actual products.