

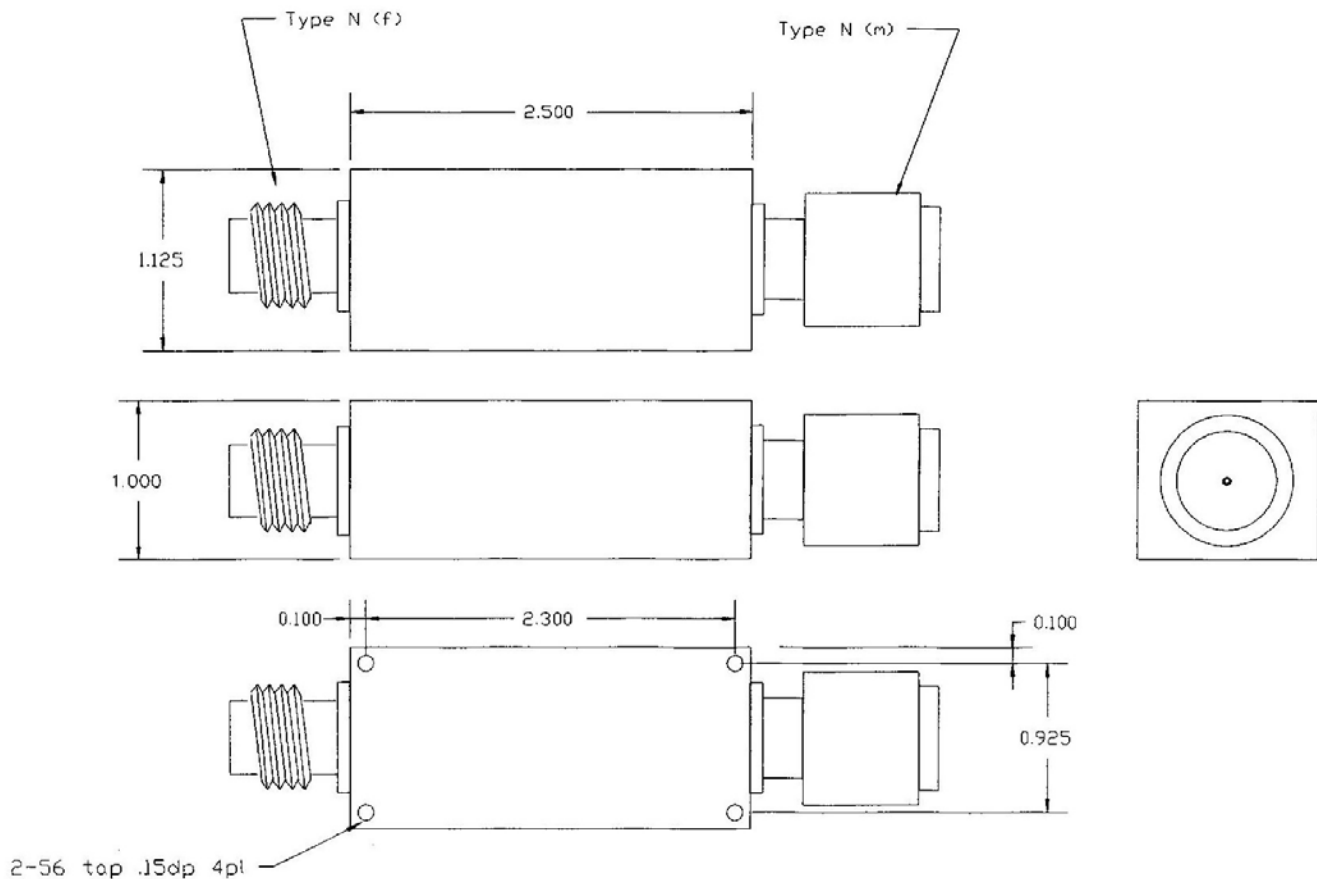


0-1 GHz Lowpass Filter

Part Number: AE1000L8871

Passband:	0-1 GHz
Passband Insertion Loss:	<1dB
Return Loss @ Passband:	>15dB
Rejection:	>50dB @ 1.8-10 GHz
Power Handling:	100 W
Connector Type:	Type N (F)
Dimensions:	2.5 x 1.125 x 1 inches

Outline Drawing:





0-1 GHz Lowpass Filter

Part Number: AE1000L8871

Response Plot:

