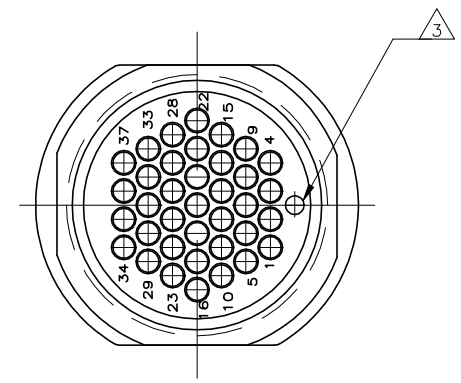
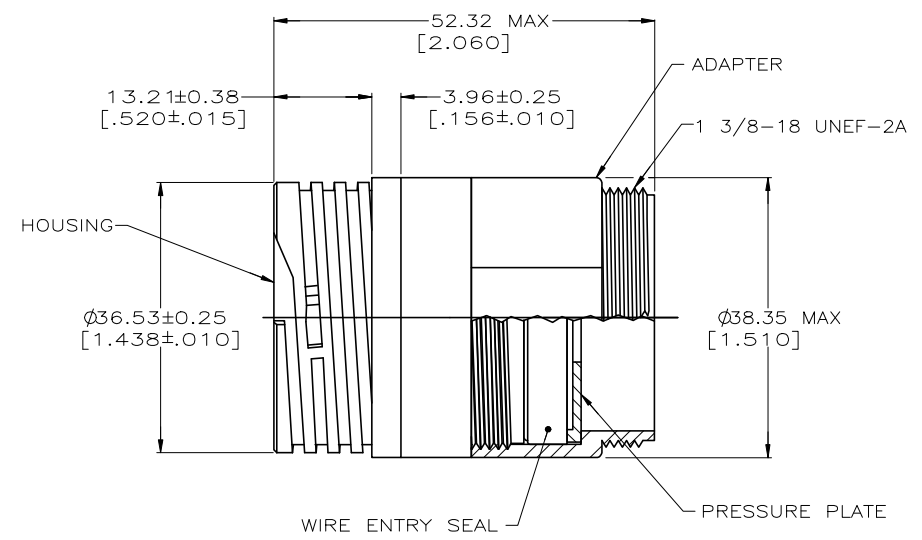
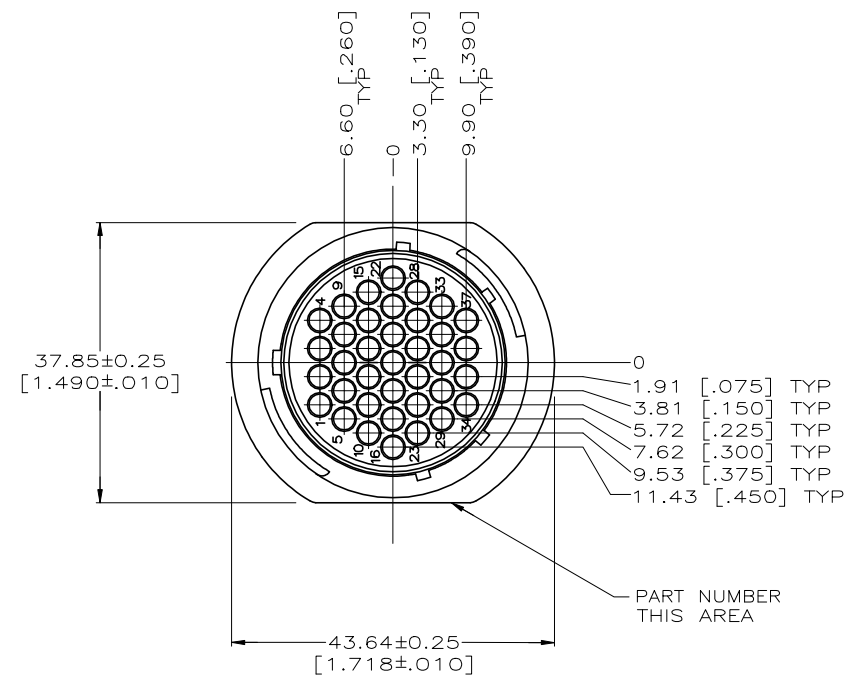


THIS DRAWING IS UNPUBLISHED. RELEASED FOR PUBLICATION
 © COPYRIGHT - By - ALL RIGHTS RESERVED.

REVISIONS				
#	LTR	DESCRIPTION	DATE	DRN / APVD
B		REVISED PER ECO-11-019033	20SEP11	KH / MZ
C		REVISED PER ECO-19-011232	06AUG2019	RS / MZ



- 1 ADAPTER AND HOUSING: NYLON, BLACK.
WIRE ENTRY SEAL: ELASTOMER, RED-IRON OXIDE.
PERIPHERAL SEAL: ELASTOMER, BLACK.
- 2. CONNECTOR WILL ACCEPT (37) MULTIMATE PIN CONTACTS.
- 3 ORIENTATION HOLE USED IN THE MANUFACTURING PROCESS ONLY.
THIS HOLE IS NOT INTENDED FOR WIRE INSERTION.

796287-1
PART NUMBER

THIS DRAWING IS A CONTROLLED DOCUMENT.		DRN: C.DORWART 11 NOV 98	TE Connectivity
DIMENSIONS: INCHES		CHK: K.DOWHOWER 15NOV99	
TOLERANCES UNLESS OTHERWISE SPECIFIED:		APVD: K.DOWHOWER 15NOV99	RCPT ASSEMBLY, SIZE 23-37, STANDARD SEX, FREE HANGING, SEALED CIRCULAR PLASTIC CONNECTOR
0 PLC ± -		NAME: 108-1579	
1 PLC ± -		PRODUCT SPEC: APPLICATION SPEC	
2 PLC ± 0.1X(.005)		SIZE: A1	
3 PLC ± -		WEIGHT: -	RESTRICTED TO: -
4 PLC ± -		CAGE CODE: 00779	DRAWING NO: C=796287
ANGLES ± -		CUSTOMER DRAWING	
MATERIAL: 1		SCALE: 2:1	SHEET: 1 OF 1
		REV: C	