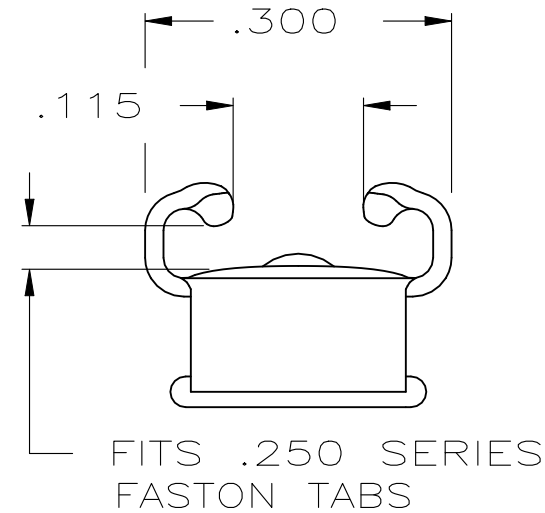
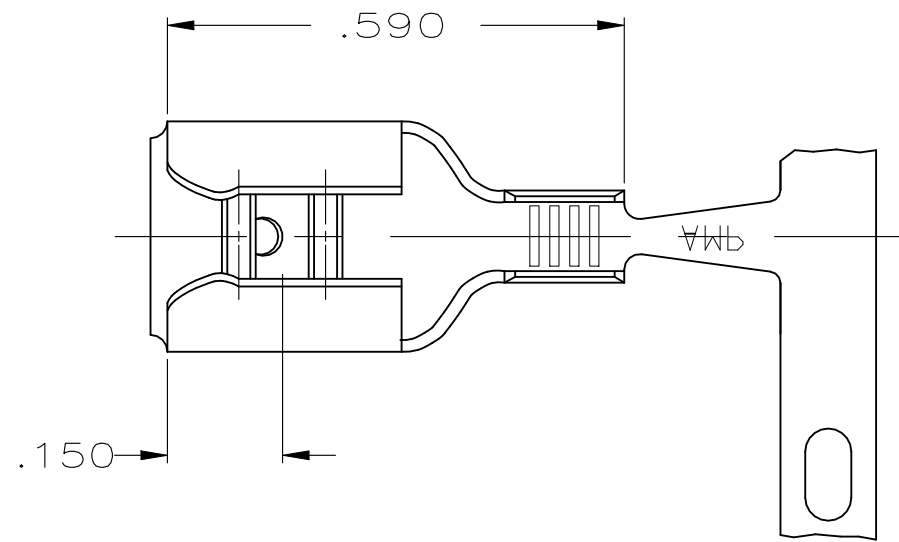
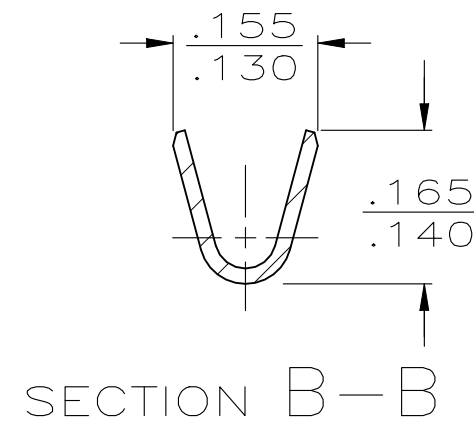


REVISIONS					
P	LTR	DESCRIPTION	DATE	DWN	APVD
	G1	REVISED PER ECR-21-113405	31MAY2022	SS	DH

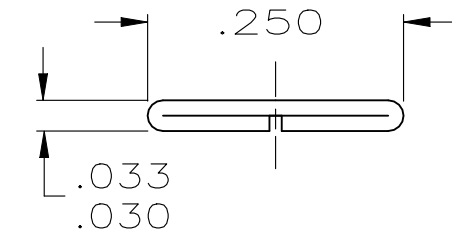
- CONTINUOUS STRIP ON REELS.
- THE GAP ON THE ROLLS TO BE IN CONTACT WITH THE TAB FOR THE LENGTH OF THE ROLL BEHIND THE LEAD-IN.



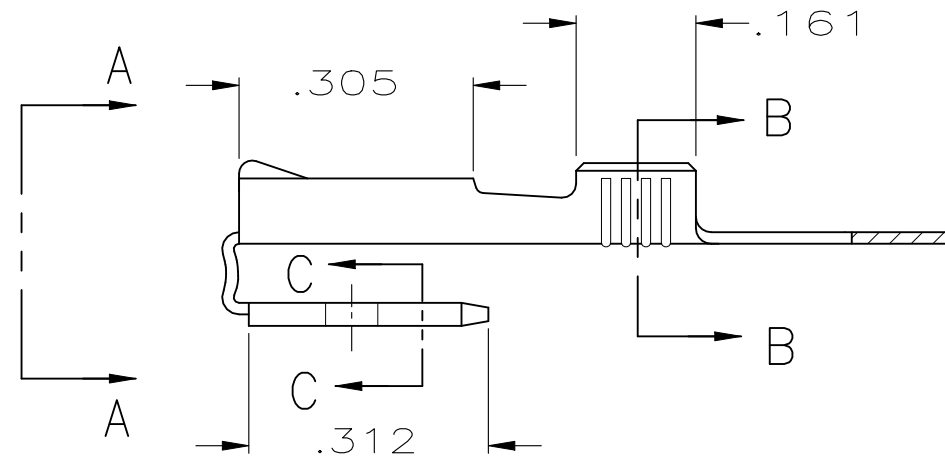
VIEW A-A



SECTION B-B



SECTION C-C



18-14	.032 ±.001	62276-1
WIRE SIZE	TAB THK.	PART NO

THIS DRAWING IS A CONTROLLED DOCUMENT.		DWN	JR RUTH	5/28/86
DIMENSIONS: INCHES		CHK	G YETTER	5/28/86
TOLERANCES UNLESS OTHERWISE SPECIFIED:		APVD	C MEYERS	5/28/86
0 PLC ± -		PRODUCT SPEC	-	
1 PLC ± -		APPLICATION SPEC	114-2082	
2 PLC ± -		WEIGHT	0.000000	
3 PLC ± .015		CUSTOMER DRAWING		
4 PLC ± -		SCALE	4:1	
ANGLES ± -		SHEET	1 OF 1	
MATERIAL	BRASS	FINISH	PRE-TIN	

STE TE Connectivity			
.250 SERIES FASTON PIGGY-BACK RECEPTACLE			
SIZE	CAGE CODE	DRAWING NO	RESTRICTED TO
A3	00779	C-62276	-
REV G1			