

SEHM45

**SAFETY ORGANIZATION(S):**

THIS FILTER HAS BEEN FORMALLY RECOGNIZED, CERTIFIED OR APPROVED BY THE LISTED AGENCY. THEREFORE, ALL TEST/REQUIREMENTS SPECIFIED IN THE LATEST REVISION OF THE FOLLOWING AGENCY STANDARDS HAVE BEEN MET,

UL RECOGNIZED	UL 1283, 544
CSA CERTIFIED	CSA 22.2, NO.0,0.4,8
VDE APPROVED	VDE 565-3, 625

**RELIABILITY SPECIFICATIONS:**

STORAGE TEMPERATURE:	-40°C TO +85°C
HUMIDITY:	21 DAYS @ 40°C 95% RH
CURRENT OVERLOAD TEST:	6 TIMES RATED CURRENT FOR 8 SECONDS

**TEST SPECIFICATIONS:**

INDUCTANCE:	.93mH NOMINAL
CAPACITANCE: (MEASURED AT 1 KHz, 0.25 VAC MAX., 25°C ±1°C)	
LINE TO LINE:	.009µF ±20%
DISCHARGE RESISTOR:	1.5 MΩ
LINE/GROUND AND LINE/LINE	6000 MΩ (MIN)
INSULATION RESISTANCE (W/O DISCHARGE RESISTOR)	AT 100 VDC 20°C AND 50% RH

**OPERATING SPECIFICATIONS:**

LINE VOLTAGE/CURRENT:	5 AMP., 120 VAC 4 AMP., 250 VAC 4 AMP./40°C, 250 VAC
LINE FREQUENCY:	50-60Hz
MAX. LEAKAGE CURRENT, EACH LINE TO GROUND	2µA @ 120V 60Hz 5µA @ 250V 50Hz
OPERATING AMBIENT TEMP. RANGE:	-10°C TO +40°C @ RATED CURRENT

**RECOMMENDED RECEIVING INSPECTION HIPOT:**

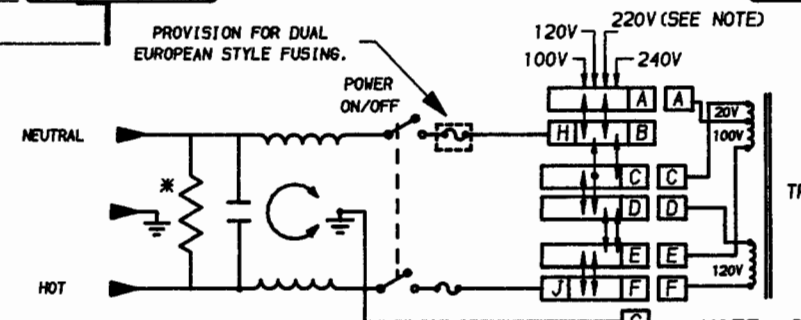
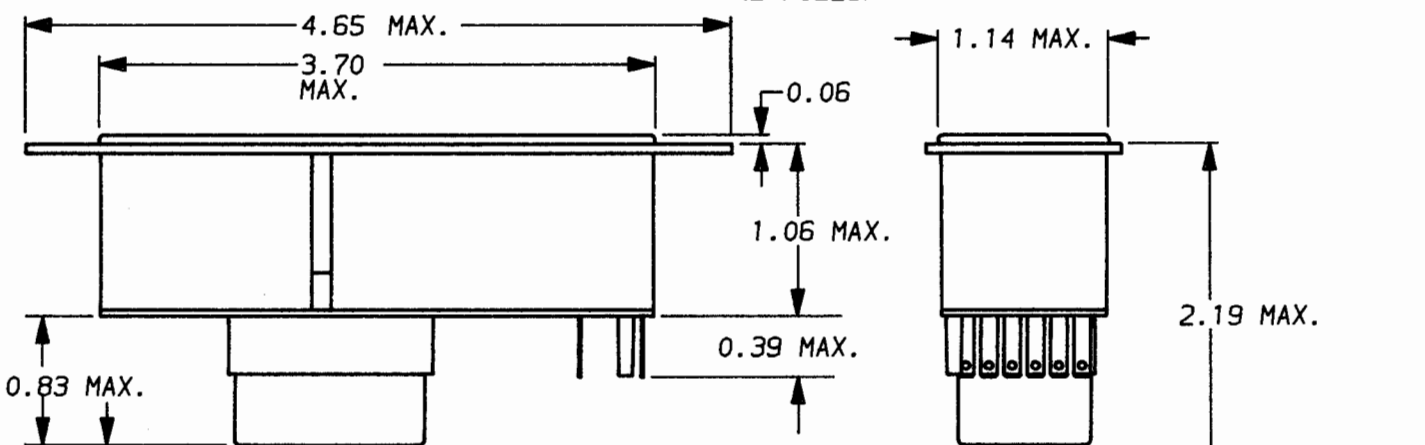
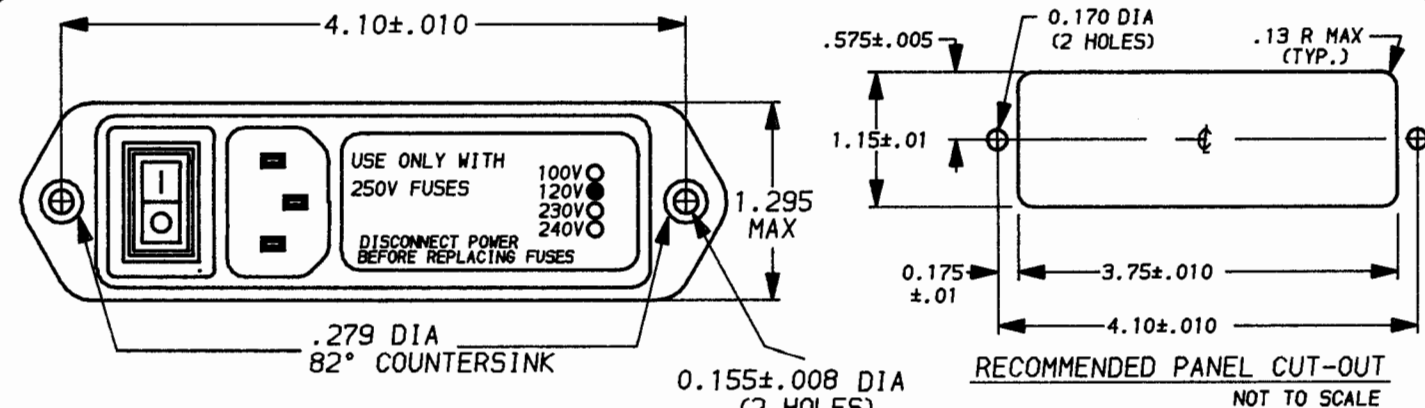
LINES TO GROUND:	1500 VAC FOR 1 MINUTE
LINE TO LINE:	1450 VDC FOR 1 MINUTE

**FILTER APPROVAL:**

THE BEST WAY TO SELECT AND QUALIFY A FILTER IS FOR YOUR ENGINEERING TO TEST THE UNIT IN YOUR EQUIPMENT.

IN AN AMBIENT,  $T_a$ , HIGHER THAN 40°C, THE MAXIMUM OPERATING CURRENT,  $I_o$ , IS AS FOLLOWS:

$$I_o = I_r \sqrt{\frac{85 - T_a}{45}}$$



\*RESISTOR ADDED TO PRODUCT BUILT AFTER 3-30-92 (9212). NOTE: 230V FOR EUROPEAN APPLICATIONS

50Ω - 50Ω (MINIMUM) INSERTION LOSS								
FREQUENCY MHz	.15	.50	1.0	2.0	5.0	10	20	30
COMMON dB	14	18	19	21	22	22	19	17
DIFF. dB								

UNLESS OTHERWISE SPECIFIED,  
TOLERANCE TO BE ±.025  
MATERIAL & FINISH: AS SUPPLIED

This document is proprietary to CORCOM INC. and is not to be reproduced nor used for manufacturing purposes except on CORCOM'S prior written consent.

**corcom**  
LIBERTYVILLE, IL 60048

**POWER LINE FILTER**

DATE: 4-18-94 CATALOG NO. REV.  
APPRVD. SEHM45 05

CAD NO. SEHM45.05