

ITEM	PART#	DESCRIPTION	QTY	UOM
A	510650300	Micro-Latch 2.0 Rec Housing 3P	1	PC
B	503728000	Micro-Latch 2.0 Crimp R Term Tin #22-26	3	PC
C	--	PAPER PRINTED PAPER WHITE (S100X150YAJ)	1	PC

FROM	TO	DESCRIPTION	COLOR
A1	--	1X22AWG DISC SR-PVC BK UL10002	BLACK
A2	--	1X22AWG DISC SR-PVC BK UL10002	BLACK
A3	--	1X22AWG DISC SR-PVC BK UL10002	BLACK

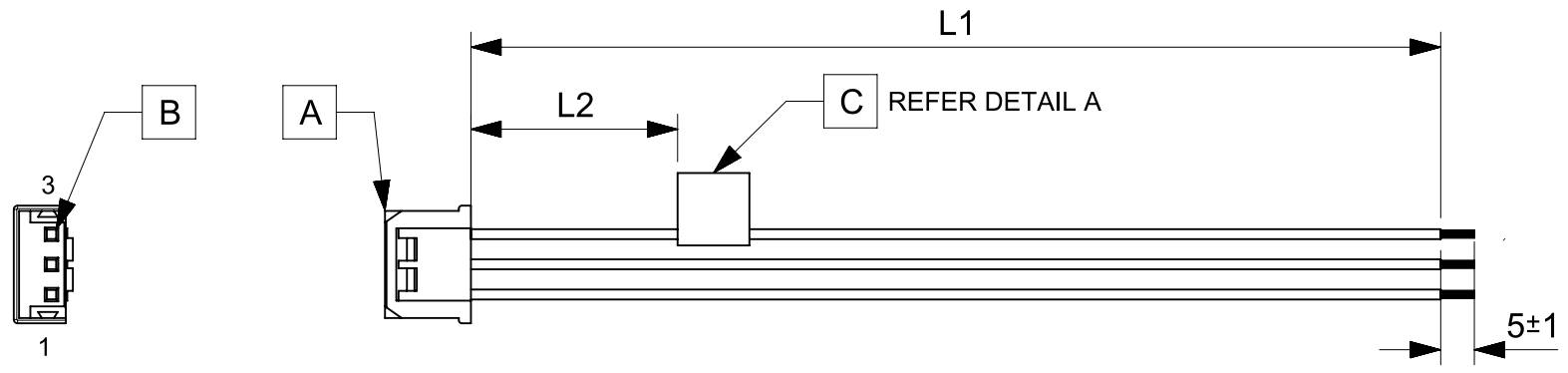


TABLE			
PART NUMBER	L1	L2 (REF)	TITLE
2196791030	50±3	15	Micro Latch 2.0 R-S 3ckt 50mm disc Sn
2196791031	100±3	15	Micro Latch 2.0 R-S 3ckt 100mm disc Sn
2196791032	150±4	15	Micro Latch 2.0 R-S 3ckt 150mm disc Sn
2196791033	300±4	15	Micro Latch 2.0 R-S 3ckt 300mm disc Sn
2196791034	600±6	15	Micro Latch 2.0 R-S 3ckt 600mm disc Sn

NOTES

1. Connector view shown is from mating side.
2. Label text must be 2mm max. in height with Arial font.
3. Label must be wrapped in Flag type on a single cable.
4. Free ends must be stripped, twisted & tinned. The length of tinning is 5±1mm. Tinning Dia must be 0.9 mm Max.

MOLEX P/N
MOLEX
BATCH WK/YR
DETAIL A

REVISION			
DATE	REV	DESCRIPTION	CHANGER
2022/02/27	A	INITIAL RELEASE	SAIKIG

FUNCTIONAL SYMBOLS $\frac{E}{A} = 0$ $\frac{E}{E} = 0$ $\frac{E}{P} = 0$ DIVISIONAL SYMBOLS	THIS DRAWING CONTAINS INFORMATION THAT IS PROPRIETARY TO MOLEX ELECTRONIC TECHNOLOGIES, LLC AND SHOULD NOT BE USED WITHOUT WRITTEN PERMISSION		CURRENT REV DESC:						
	DIMENSIONAL UNITS	SCALE	GENERAL TOLERANCES (UNLESS SPECIFIED)						
	mm	NTS	ANGULAR TOL ± °						
	4 PLACES ±		EC NO: 697300						
3 PLACES ±		DRWN: SAIKIG 2022/02/21		PRODUCT CUSTOMER DRAWING					
2 PLACES ±		CHK'D: MNARAYAN01 2022/03/08							
1 PLACE ±		APPR: MNARAYAN01 2022/03/08		DOCUMENT NUMBER 2196791030					
0 PLACES ±		INITIAL REVISION: DRWN: SAIKIG 2022/02/21 APPR: MNARAYAN01 2022/03/08							
DRAFT WHERE APPLICABLE MUST REMAIN WITHIN DIMENSIONS		THIRD ANGLE PROJECTION	DRAWING	SERIES	MATERIAL NUMBER	CUSTOMER	DOC TYPE	DOC PART	REVISION
			A4-SIZE	219679	SEE TABLE	GENERAL MARKET	PSD	000	A
					SEE TABLE				1 OF 1