

## Panel feed-through - QPD W 4PE2,5 6-11 M20 1,0 BK - 1403727

Please be informed that the data shown in this PDF Document is generated from our Online Catalog. Please find the complete data in the user's documentation. Our General Terms of Use for Downloads are valid (<http://phoenixcontact.com/download>)




Panel feed-through, QUICKON connection, number of positions: 4+PE, 1 mm<sup>2</sup> ... 2.5 mm<sup>2</sup>, 690 V, 20 A, black, with QUICKON nut, cable diameter range: 6 mm ... 11 mm, assembly thread: M20, Single wires (welded-on), 2.5 mm<sup>2</sup>, wires cut flat at the end, cable length: 1 m

### Your advantages

- ✓ Innovative and time saving - QUICKON fast connection for time saving of up to 80 % for on-site connection
- ✓ Convenient: quick and easy assembly without special tools
- ✓ Robust throughout: housing with IP68/IP69K and IK07 protection for a wide range of applications
- ✓ Safer connection thanks to polarization against mismatching and touch-proof protection according to DIN EN 0105
- ✓ Efficient - by using panel feed-throughs, devices no longer need to be opened in order to connect cables

### Key Commercial Data

|              |   |
|--------------|---|
| Packing unit | 1 pc  |
| GTIN         | <br>4 046356 665018 |
| GTIN         | 4046356665018   |

### Technical data

#### General

|                                |                                      |
|--------------------------------|--------------------------------------|
| Type                           | QPD 5x2,5                            |
| Length of cable                | 1 m                                  |
| Color                          | black                                |
| Locking type                   | Screw locking                        |
| Connection method              | QUICKON connection<br>IDC connection |
| Number of positions            | 5                                    |
| Note number of positions       | 4+PE                                 |
| Wrench size, union nut         | 27 mm                                |
| Tightening torque, union nut   | 10 Nm                                |
| Tightening torque, counter nut | 5 Nm                                 |

# Panel feed-through - QPD W 4PE2,5 6-11 M20 1,0 BK - 1403727

## Technical data

### General

|                                       |                     |
|---------------------------------------|---------------------|
| Wrench size, counter nut              | 30 mm               |
| Number of connections                 | 10                  |
| Conductor cross section flexible min. | 1 mm <sup>2</sup>   |
| Conductor cross section flexible max. | 2.5 mm <sup>2</sup> |
| Conductor cross section solid min.    | 1 mm <sup>2</sup>   |
| Conductor cross section solid max.    | 2.5 mm <sup>2</sup> |
| Conductor cross section AWG min.      | 16                  |
| Conductor cross section AWG max.      | 14                  |

### Cabel

|   |  |
|---|--|
| Structure of individual litz in acc. with VDE 0295 / smallest wire diameter | VDE 0295 class 1 to 6/min. 0.15 mm     |
| Wire insulation material  | PVC/PE/TPE/rubber                      |
| Wire diameter including insulation  | 2 mm ... 3.8 mm                        |
| External cable diameter   | 6 mm ... 11 mm                         |
| Conductor cross section   | 2.5 mm <sup>2</sup>                    |
| Wire colors   | black, brown, gray, blue, green/yellow |
| Position marking  | 1, 2, 3, N, PE                         |
| Contact   Color (signal designation)   Contact (optional)                   | 1   BK                                 |
|   | 2   BN                                 |
|   | 3   GY                                 |
|   | N   BU                                 |
|   | PE   GN/YE                             |

### Ambient conditions

|   |                   |
|---|-------------------|
| Degree of protection                    | IP66              |
|   | IP68 (2 m / 24 h) |
|   | IP69K             |
| Ambient temperature (operation)         | -40 °C ... 100 °C |
| Ambient temperature (storage/transport) | -40 °C ... 80 °C  |
| Temperature when conductor connected    | -5 °C ... 50 °C   |

### Electrical characteristics

|                                |        |
|--------------------------------|--------|
| Nominal current I <sub>N</sub> | 20 A   |
| Rated current                  | 20 A   |
| Rated voltage (III/3)          | 690 V  |
| Rated voltage (III/2)          | 1000 V |
| Rated voltage (II/2)           | 1000 V |
| Rated surge voltage (III/3)    | 6 kV   |
| Rated surge voltage (III/2)    | 8 kV   |
| Rated surge voltage (II/2)     | 8 kV   |

### Mechanical characteristics

|                        |         |
|------------------------|---------|
| QUICKON connectability | max. 10 |
|------------------------|---------|

# Panel feed-through - QPD W 4PE2,5 6-11 M20 1,0 BK - 1403727

## Technical data

### Mechanical characteristics

|                          |      |
|--------------------------|------|
| Category of shock impact | IK07 |
|--------------------------|------|

### Material data

|  |               |
|--|---------------|
| Contact material                       | Cu            |
| Contact surface material               | silver-plated |
| Contact carrier material               | PA            |
| Insulating material                    | PA            |
| Flammability rating according to UL 94 | V0            |
| Overvoltage category                   | III           |
| Degree of pollution                    | 3             |

### Standards and Regulations

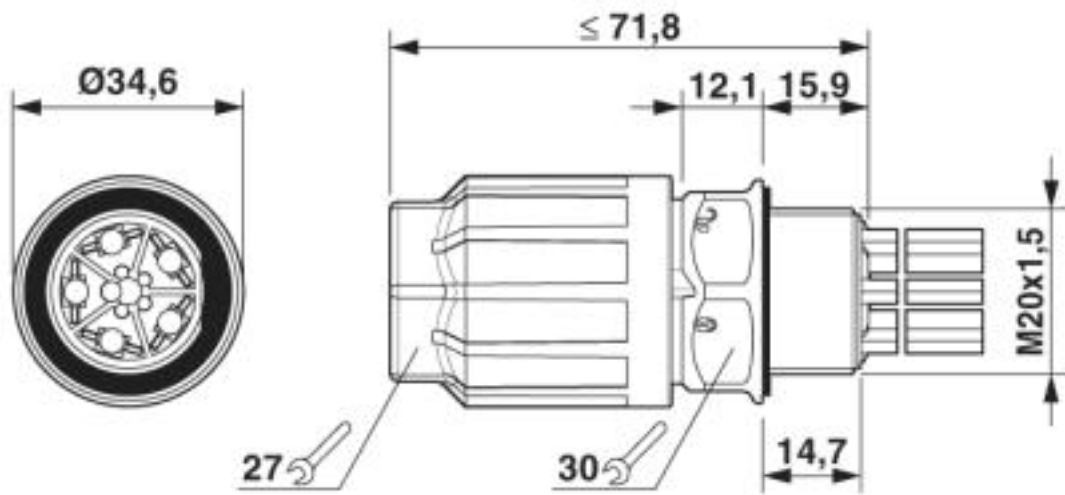
|  |    |
|--|----|
| Flammability rating according to UL 94 | V0 |
|--|----|

### Environmental Product Compliance

|            |   |
|------------|---|
| China RoHS | Environmentally Friendly Use Period = 50  |
|            | For details about hazardous substances go to tab "Downloads", Category "Manufacturer's declaration" |

## Drawings

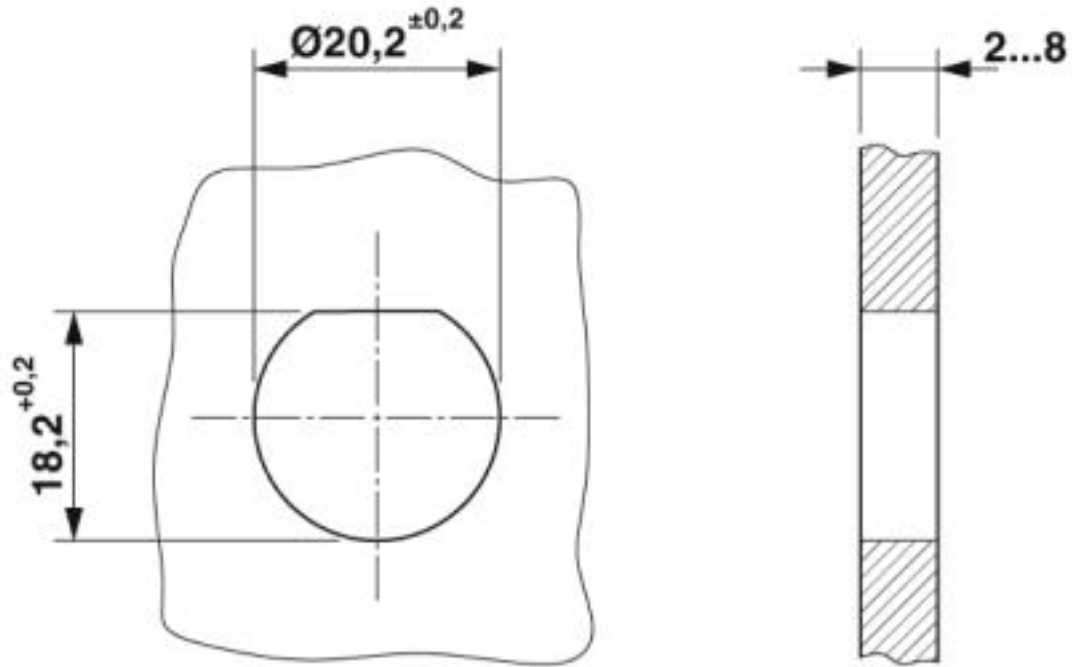
Dimensional drawing



Dimensional drawing of the QPD W 5x2,5 M20

# Panel feed-through - QPD W 4PE2,5 6-11 M20 1,0 BK - 1403727

Dimensional drawing



Housing cutout

## Approvals

Approvals

Approvals

UL Listed / IECCE CB Scheme / cUL Listed / VDE Zeichengenehmigung / EAC / DNV GL / cULus Listed

Ex Approvals

## Approval details

|                            |       |   |               |
|----------------------------|-------|---|---------------|
| UL Listed                  |       | <a href="http://database.ul.com/cgi-bin/XYV/template/LISEXT/1FRAME/index.htm">http://database.ul.com/cgi-bin/XYV/template/LISEXT/1FRAME/index.htm</a> | FILE E 221474 |
| Nominal voltage UN         | 600 V |   |               |
| Nominal current IN         | 10 A  |   |               |
| mm <sup>2</sup> /AWG/kcmil | 16    |   |               |

# Panel feed-through - QPD W 4PE2,5 6-11 M20 1,0 BK - 1403727

## Approvals

|                 |  |   |           |
|-----------------|--|---|-----------|
| IECEE CB Scheme |  | <a href="http://www.iecee.org/">http://www.iecee.org/</a> | DE1-61559 |
|-----------------|--|---|-----------|

|                            |       |   |               |
|----------------------------|-------|---|---------------|
| cUL Listed                 |       | <a href="http://database.ul.com/cgi-bin/XYVV/template/LISEXT/1FRAME/index.htm">http://database.ul.com/cgi-bin/XYVV/template/LISEXT/1FRAME/index.htm</a> | FILE E 221474 |
| Nominal voltage UN         | 600 V |   |               |
| Nominal current IN         | 10 A  |   |               |
| mm <sup>2</sup> /AWG/kcmil | 16    |   |               |

|                            |       |   |          |
|----------------------------|-------|---|----------|
| VDE Zeichengenehmigung     |       | <a href="http://www2.vde.com/de/Institut/Online-Service/VDE-gepruefteProdukte/Seiten/Online-Suche.aspx">http://www2.vde.com/de/Institut/Online-Service/VDE-gepruefteProdukte/Seiten/Online-Suche.aspx</a> | 40029149 |
| Nominal voltage UN         | 690 V |   |          |
| Nominal current IN         | 20 A  |   |          |
| mm <sup>2</sup> /AWG/kcmil | 1-2.5 |   |          |

|     |  |  |                          |
|-----|--|--|--------------------------|
| EAC |  |  | RU C-<br>DE.AI30.B.01102 |
|-----|--|--|--------------------------|

|        |  |   |            |
|--------|--|---|------------|
| DNV GL |  | <a href="https://approvalfinder.dnvgl.com/">https://approvalfinder.dnvgl.com/</a> | TAE00003J5 |
|--------|--|---|------------|

|              |  |  |  |
|--------------|--|--|--|
| cULus Listed |  |  |  |
|--------------|--|--|--|

Phoenix Contact 2019 © - all rights reserved  
<http://www.phoenixcontact.com>

PHOENIX CONTACT GmbH & Co. KG  
 Flachsmarktstr. 8  
 32825 Blomberg  
 Germany  
 Tel. +49 5235 300  
 Fax +49 5235 3 41200  
<http://www.phoenixcontact.com>