

MOLEX P/N	AWG	IMPEDANCE	LENGTH (mm)	TOLERANCE (+-mm)	DESCRIPTION	PINOUT
1002210100	30	85 OHM	152	10	CTRL TO BP	1
1002210101	30	85 OHM	300	10	CTRL TO BP	1
1002210102	30	85 OHM	500	10	CTRL TO BP	1
1002210103	30	85 OHM	600	10	CTRL TO BP	1
1002210104	30	85 OHM	1000	15	CTRL TO BP	1
1002210200	30	85 OHM	152	10	CTRL TO CTRL	2
1002210201	30	85 OHM	300	10	CTRL TO CTRL	2
1002210202	30	85 OHM	500	10	CTRL TO CTRL	2
1002210203	30	85 OHM	600	10	CTRL TO CTRL	2
1002210204	30	85 OHM	1000	15	CTRL TO CTRL	2
1002210300	30	85 OHM	152	10	PCIE	3
1002210301	30	85 OHM	300	10	PCIE	3
1002210302	30	85 OHM	500	10	PCIE	3
1002210303	30	85 OHM	600	10	PCIE	3
1002210304	30	85 OHM	1000	15	PCIE	3

NOTES:

- MATERIAL:
 HOUSING - NYLON, UL94-V0
 LATCH - MOLDED INTO HOUSING
 EXPANDO - PET
 CABLE - TWIN-AX SHIELD: ALUMINIZED POLYESTER FOIL
 SIGNAL AND DRAIN: SOLID COPPER
 PCB - FR4 (HALOGEN FREE)
- THIS PRODUCT CONFORMS TO THE MECHANICAL DIMENSIONING OF SFF-8643 AND ELECTRICAL PERFORMANCE REQUIREMENTS OF SAS 3.0
- RoHS COMPLIANT. NO EXEMPTIONS

SYMBOLS	THIS DRAWING CONTAINS INFORMATION THAT IS PROPRIETARY TO MOLEX ELECTRONIC TECHNOLOGIES, LLC AND SHOULD NOT BE USED WITHOUT WRITTEN PERMISSION		CURRENT REV DESC:		
	DIMENSION UNITS	SCALE			
▽ = 0	mm	1:1			4X INT. HD SHORT STR TO STR CBL ASSY 85 OHM
▽ = 0	GENERAL TOLERANCES (UNLESS SPECIFIED)				
▽ = 0	ANGULAR TOL ± 1.0°		EC NO: 631623		PRODUCT CUSTOMER DRAWING
▽ = 0	4 PLACES ±		DRWN: RCHEN34 2020/02/04		
▽ = 0	3 PLACES ±		CHK'D: VPENG01 2020/02/05		DOCUMENT NUMBER SD-100221-0100
▽ = 0	2 PLACES ± 0.13		APPR: VPENG01 2020/02/05		
▽ = 0	1 PLACE ± 0.25		INITIAL REVISION:		DOC TYPE PSD
▽ = 0	0 PLACES ±		DRWN: TPRATT 2014/02/26		
☒ = 0	DRAFT WHERE APPLICABLE MUST REMAIN WITHIN DIMENSIONS		APPR: CHIRSCHY 2014/03/21		DOC PART 001
☒ = 0	THIRD ANGLE PROJECTION		DRAWING		
☒ = 0	D-DRAWING		SERIES		REVISION E
☒ = 0	D-SIZE		100221		
MATERIAL NUMBER			CUSTOMER		SHEET NUMBER 1 OF 3
SEE P/N TABLE			GENERAL MARKET		

PINOUT 1

	P1		N/C	P2	
		GND		D9	B9
C O N T R O L L E R	TX2-	D8	→	B8	RX2-
	TX2+	D7	→	B7	RX2+
	GND	D6	———	B6	GND
	TX0-	D5	→	B5	RX0-
	TX0+	D4	→	B4	RX0+
	GND	D3	———	B3	GND
	SB6	D2	-----	D1	SB6
	SB5	D1	-----	D2	SB5
	SB4	C1	-----	C2	SB4
	SB2	C2	-----	C1	SB2
	GND	C3	———	A3	GND
	TX1+	C4	→	A4	RX1+
	TX1-	C5	→	A5	RX1-
	GND	C6	———	A6	GND
	TX3+	C7	→	A7	RX3+
	TX3-	C8	→	A8	RX3-
	GND	C9	N/C	A9	GND
	GND	B9	N/C	D9	GND
	RX2-	B8	←	D8	TX2-
	RX2+	B7	←	D7	TX2+
	GND	B6	———	D6	GND
	RX0-	B5	←	D5	TX0-
	RX0+	B4	←	D4	TX0+
	GND	B3	———	D3	GND
	SB1	B2	-----	B1	SB1
	SB3	B1	-----	B2	SB3
	SB7	A1	-----	A2	SB7
	SB0	A2	-----	A1	SB0
	GND	A3	———	C3	GND
	RX1+	A4	←	C4	TX1+
	RX1-	A5	←	C5	TX1-
	GND	A6	———	C6	GND
	RX3+	A7	←	C7	TX3+
	RX3-	A8	←	C8	TX3-
	GND	A9	N/C	C9	GND

B
A
C
K
P
L
A
N
E

PINOUT 2

	P1		N/C	P2	
		GND		D9	B9
C O N T R O L L E R	TX2-	D8	→	B8	RX2-
	TX2+	D7	→	B7	RX2+
	GND	D6	———	B6	GND
	TX0-	D5	→	B5	RX0-
	TX0+	D4	→	B4	RX0+
	GND	D3	———	B3	GND
	SB6	D2	-----	B2	SB1
	SB5	D1	-----	C2	SB2
	SB4	C1	-----	B1	SB3
	SB2	C2	-----	D1	SB5
	GND	C3	———	A3	GND
	TX1+	C4	→	A4	RX1+
	TX1-	C5	→	A5	RX1-
	GND	C6	———	A6	GND
	TX3+	C7	→	A7	RX3+
	TX3-	C8	→	A8	RX3-
	GND	C9	N/C	A9	GND
	GND	B9	N/C	D9	GND
	RX2-	B8	←	D8	TX2-
	RX2+	B7	←	D7	TX2+
	GND	B6	———	D6	GND
	RX0-	B5	←	D5	TX0-
	RX0+	B4	←	D4	TX0+
	GND	B3	———	D3	GND
	SB1	B2	-----	D2	SB6
	SB3	B1	-----	C1	SB4
	SB7	A1	-----	A2	SB0
	SB0	A2	-----	A1	SB7
	GND	A3	———	C3	GND
	RX1+	A4	←	C4	TX1+
	RX1-	A5	←	C5	TX1-
	GND	A6	———	C6	GND
	RX3+	A7	←	C7	TX3+
	RX3-	A8	←	C8	TX3-
	GND	A9	N/C	C9	GND

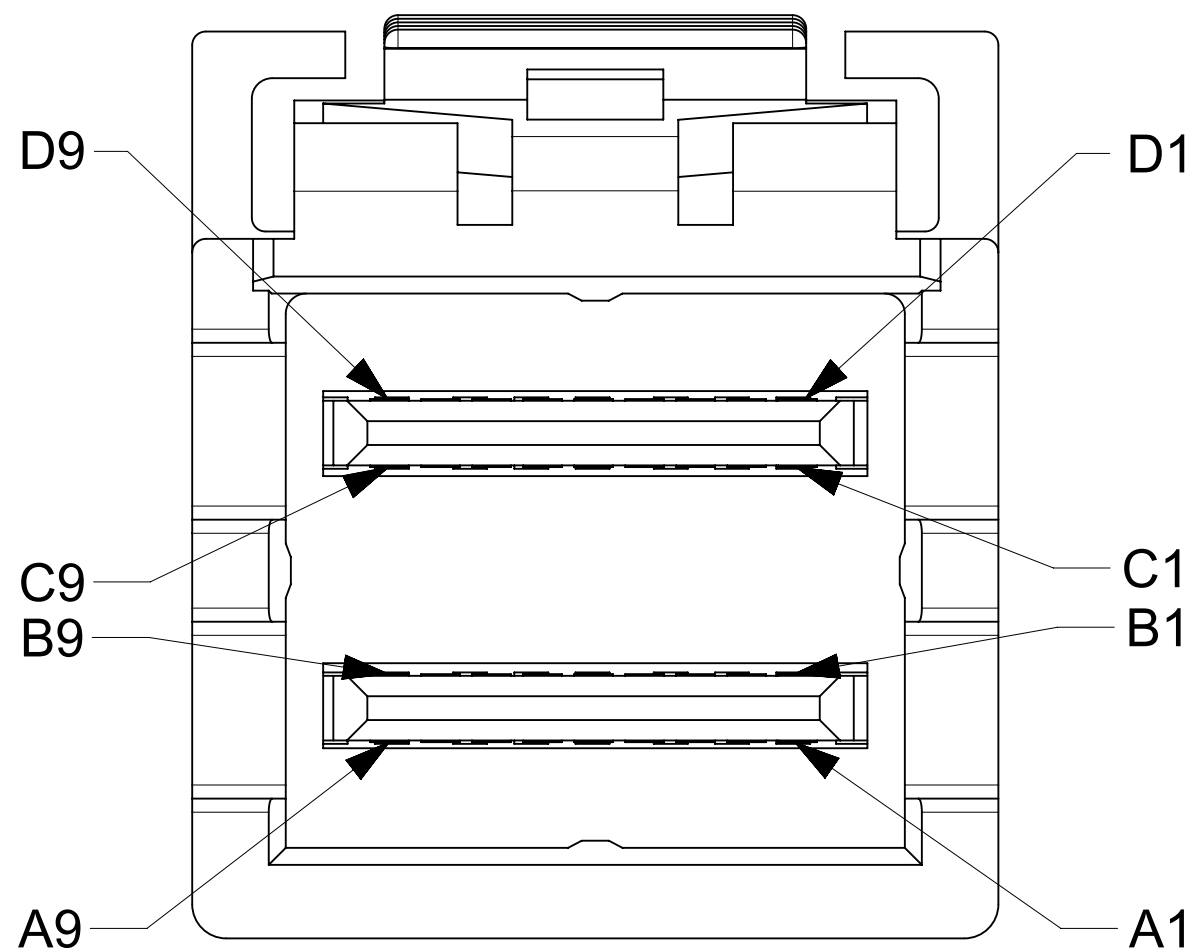
C
O
N
T
R
O
L
L
E
R

PINOUT 3

	P1		N/C	P2	
		GND		D9	B9
P C I E	TX2-	D8	→	B8	RX2-
	TX2+	D7	→	B7	RX2+
	GND	D6	———	B6	GND
	TX0-	D5	→	B5	RX0-
	TX0+	D4	→	B4	RX0+
	GND	D3	———	B3	GND
	SB6	D2	-----	D1	SB6
	SB5	D1	-----	D2	SB5
	WAKE _n	C1	-----	C2	CWAKE _n
	RST _n	C2	-----	C1	CPERST _n
	GND	C3	———	A6	GND
	TX1+	C4	→	A4	RX1+
	TX1-	C5	→	A5	RX1-
	GND	C6	———	A9	GND
	TX3+	C7	→	A7	RX3+
	TX3-	C8	→	A8	RX3-
	GND	C9	N/C	C9	GND
	GND	B9	N/C	D9	GND
	RX2-	B8	←	D8	TX2-
	RX2+	B7	←	D7	TX2+
	GND	B6	———	D6	GND
	RX0-	B5	←	D5	TX0-
	RX0+	B4	←	D4	TX0+
	GND	B3	———	D3	GND
	SB1	B2	-----	B1	SB1
	SB3	B1	-----	B2	SB3
	CLK+	A1	←	A2	CLK+
	CLK-	A2	←	A1	CLK-
	GND	A3	———	A3	GND
	RX1+	A4	←	C4	TX1+
	RX1-	A5	←	C5	TX1-
	GND	A6	———	C3	GND
	RX3+	A7	←	C7	TX3+
	RX3-	A8	←	C8	TX3-
	GND	A9	———	C6	GND

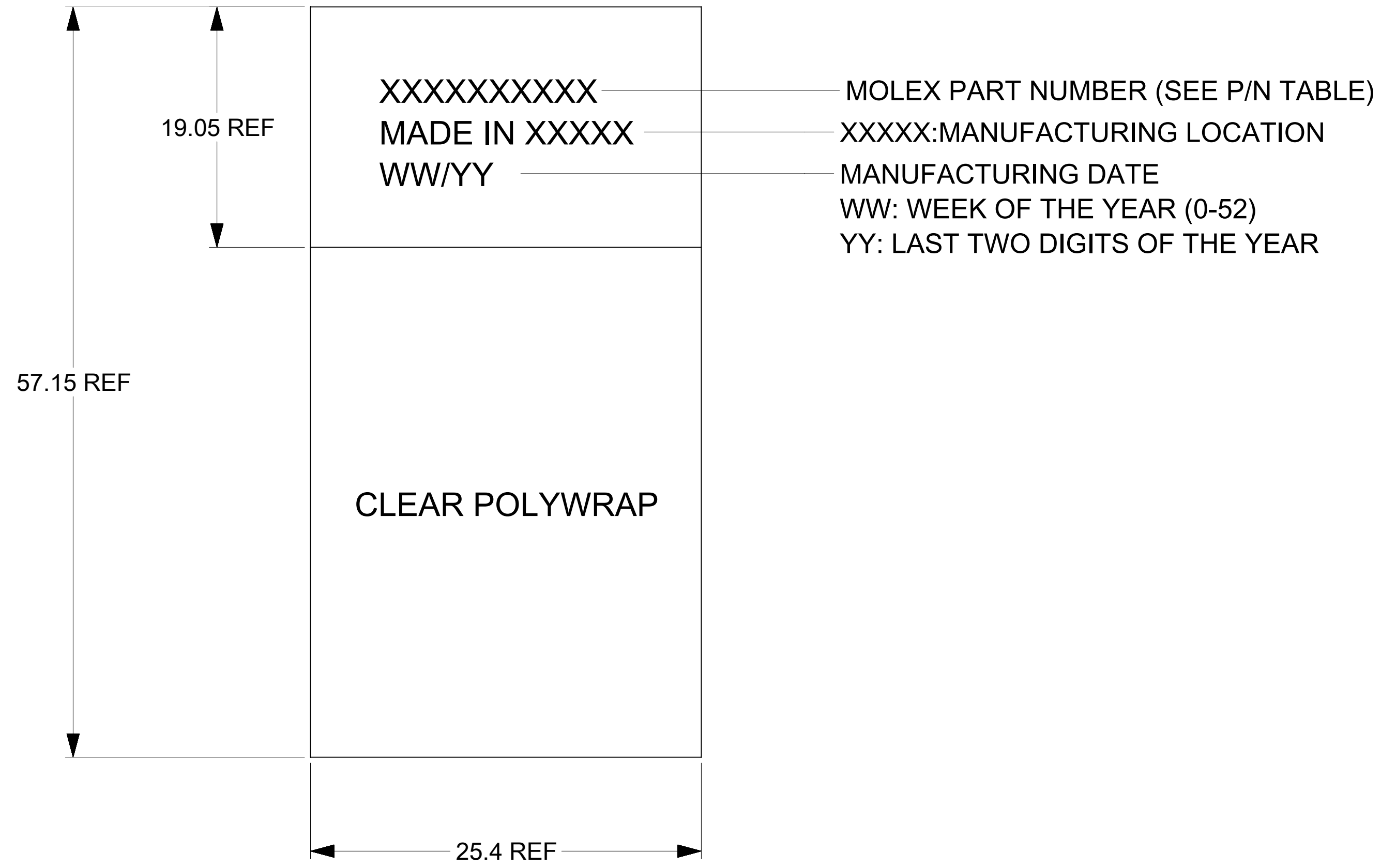
LEGEND:

- = GROUND LINES
- = THRU LINES
- = TRANSMIT TO RECEIVE ON HIGH SPEED CIRCUITS



SYMBOLS	THIS DRAWING CONTAINS INFORMATION THAT IS PROPRIETARY TO MOLEX ELECTRONIC TECHNOLOGIES, LLC AND SHOULD NOT BE USED WITHOUT WRITTEN PERMISSION		CURRENT REV DESC:		
	▽ = 0	DIMENSION UNITS: mm	SCALE: 20:1		
▽ = 0	GENERAL TOLERANCES (UNLESS SPECIFIED)		EC NO: 631623		4X INT. HD SHORT STR TO STR CBL ASSY 85 OHM
▽ = 0	ANGULAR TOL ± 1.0°		DRWN: RCHEN34 2020/02/04		
▽ = 0	4 PLACES ±		CHK'D: VPENG01 2020/02/05		PRODUCT CUSTOMER DRAWING
▽ = 0	3 PLACES ±		APPR: VPENG01 2020/02/05		
▽ = 0	2 PLACES ± 0.13		INITIAL REVISION:		DOCUMENT NUMBER: SD-100221-0100 DOC TYPE: PSD DOC PART: 001 REVISION: E
▽ = 0	1 PLACE ± 0.25		DRWN: TPRATT 2014/02/26		
▽ = 0	0 PLACES ±		APPR: CHIRSCHY 2014/03/21		MATERIAL NUMBER: SEE P/N TABLE CUSTOMER: GENERAL MARKET SHEET NUMBER: 2 OF 3
■ = 0	DRAFT WHERE APPLICABLE MUST REMAIN WITHIN DIMENSIONS		THIRD ANGLE PROJECTION		
▽ = 0			DRAWING: D-SIZE		SERIES: 100221

LABEL DETAIL



SYMBOLS	THIS DRAWING CONTAINS INFORMATION THAT IS PROPRIETARY TO MOLEX ELECTRONIC TECHNOLOGIES, LLC AND SHOULD NOT BE USED WITHOUT WRITTEN PERMISSION										
	DIMENSION UNITS		SCALE		CURRENT REV DESC:				molex		
	mm		1:1								
	= 0		GENERAL TOLERANCES (UNLESS SPECIFIED)				EC NO: 631623 DRWN: RCHEN34 2020/02/04 CHK'D: VPENG01 2020/02/05 APPR: VPENG01 2020/02/05				
	= 0		ANGULAR TOL ± 1.0°								
	= 0		4 PLACES ±				INITIAL REVISION: DRWN: TPRATT 2014/02/26 APPR: CHIRSCHY 2014/03/21				
	= 0		3 PLACES ±								
	= 0		2 PLACES ± 0.13				DOCUMENT NUMBER		DOC TYPE	DOC PART	REVISION
	= 0		1 PLACE ± 0.25				SD-100221-0100		PSD	001	E
	= 0		0 PLACES ±				SEE P/N TABLE		GENERAL MARKET		SHEET NUMBER
= 0		DRAFT WHERE APPLICABLE MUST REMAIN WITHIN DIMENSIONS		THIRD ANGLE PROJECTION	DRAWING	SERIES	MATERIAL NUMBER	CUSTOMER			
= 0		DRAFT WHERE APPLICABLE MUST REMAIN WITHIN DIMENSIONS	THIRD ANGLE PROJECTION	DRAWING	SERIES	MATERIAL NUMBER	CUSTOMER		SHEET NUMBER		