

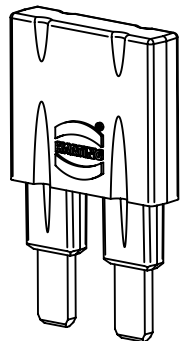
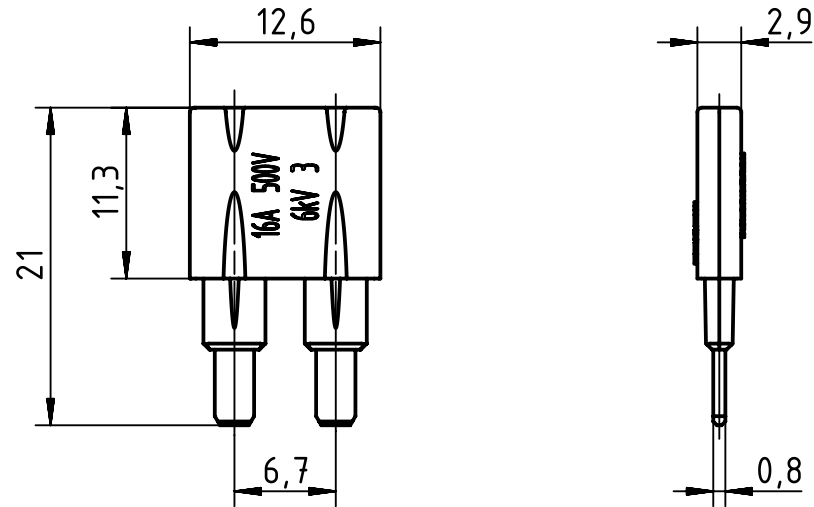
1 2 3 4 5 6

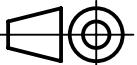

A

B

C

D



| | | | | | |
|--|---------------------------|----------------|-----------------|------------|-------------------------------------|
|  All Dimensions in mm Original Size DIN A4 | Scale | Free size tol. | | | Ref. |
| | 2:1 | | | | Sub. |
|  All rights reserved Department EL PD - DE | Created by | Inspected by | Standardisation | Date | State |
| | STICKFORTH | LOETKEMANN | RUETERA | 2017-02-14 | Final Release |
| HARTING Electric GmbH & Co. KG D-32339 Espelkamp | Title | | | | Doc-Key / ECM-Nr. |
| | Jumper Along 1x2 blue 16A | | | | 100680462/UGD/001/B 500000115576 |
| Type | | Number | | | Rev. |
| TB | | 09 33 000 9841 | | | B |
| | | | | | Page |
| | | | | | 1/1 |