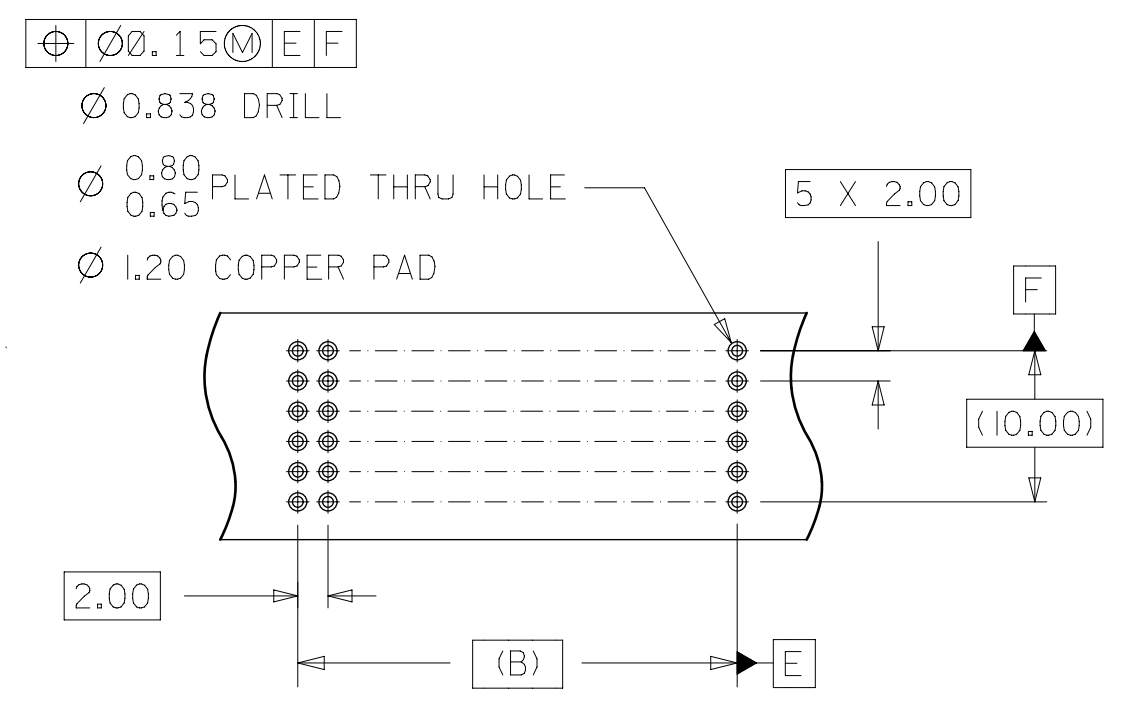
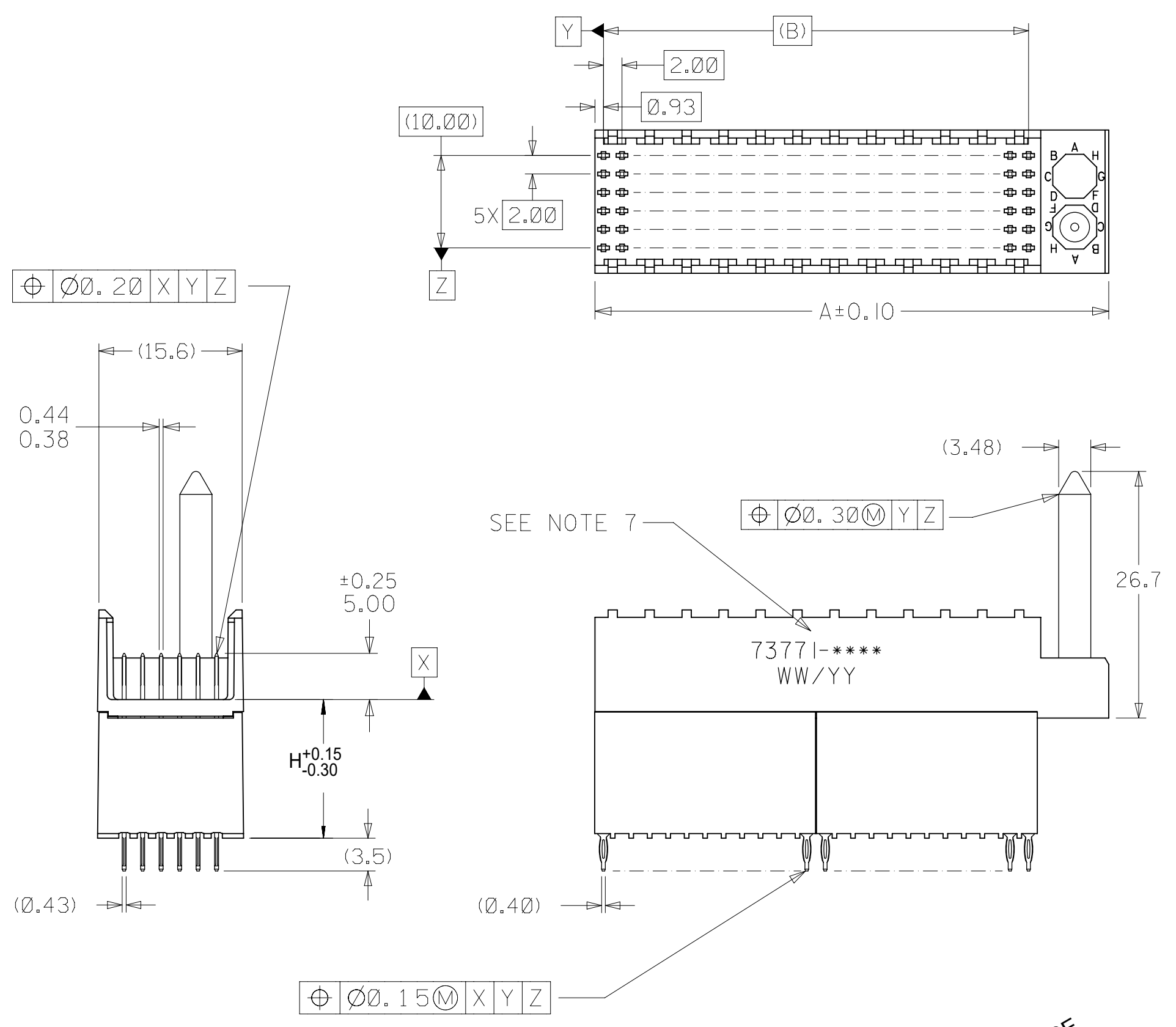


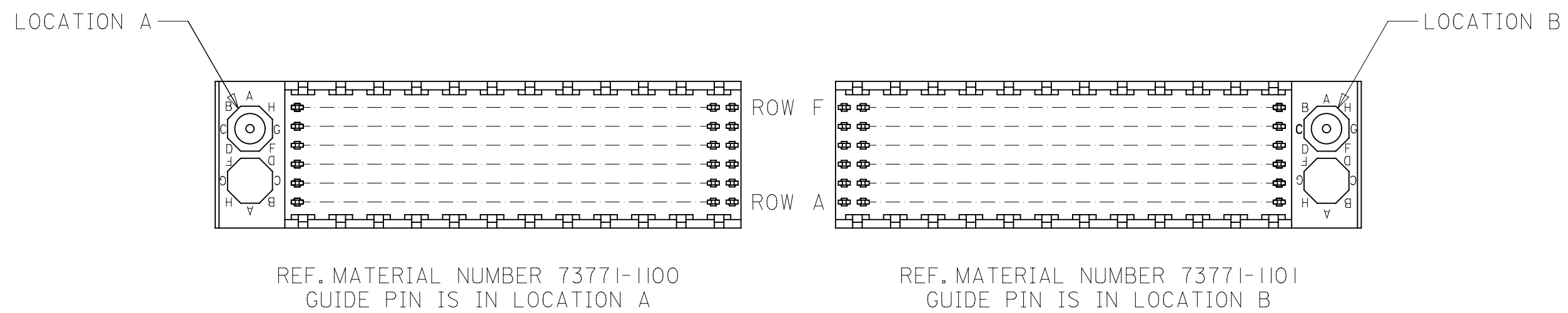
ASSEMBLY P/N	TOTAL NUMBER OF SIGNAL CONTACTS	DIM "A"	DIM "B"	DIM "H"
73771-02**	72	31.6	22.00	6.05
73771-03**	72	31.6	22.00	10.05
73771-11**	144	55.6	46.00	15.05
73771-12**	144	55.6	46.00	6.05
73771-13**	144	55.6	46.00	10.05



PRE-RELEASE
REFERENCE
USE ONLY

- NOTES:
1. MATERIALS: HOUSING-LIQUID CRYSTAL POLYMER (LCP), GLASS FILLED, UL 94V-0, COLOR: BLACK, TERMINAL-PHOSPHOR BRONZE
 2. FINISH: SELECTIVE GOLD (Au) IN CONTACT AREA, 0.00076 mm MINIMUM THICKNESS: SELECTIVE MATTE TIN (Sn) ON TAILS, NICKEL (Ni) OVERALL.
 3. THIS PART CONFORMS TO MOLEX PRODUCT SPECIFICATION PS-73780-999.
 4. THIS PART CONFORMS TO COSMETIC SPECIFICATION PS-45499-002 CLASS C.
 5. RECOMMENDED PCB THICKNESS: 2.50 MIN.
 6. PACKAGE PER PK-70873-0870, PK-70873-0871 OR PK-70873-0875.
 7. PART MARKED WITH PART NUMBER AND DATE CODE APPROXIMATELY WHERE SHOWN.

THIS DRAWING CONTAINS INFORMATION THAT IS PROPRIETARY TO MOLEX ELECTRONIC TECHNOLOGIES, LLC AND SHOULD NOT BE USED WITHOUT WRITTEN PERMISSION									
DIMENSION UNITS mm		SCALE 2:1		CURRENT REV DESC: REMOVED OBSOLETE PART NUMBER AS PER PCN#511698.			molex		
GENERAL TOLERANCES (UNLESS SPECIFIED)		EC NO: 742551			SALES ASSEMBLY HDM BACKPLANE STACKING MOD CLOSED END OPT PRESSFIT				
		MM	INCH	DRWN: SANTHN 2023/03/30			PRODUCT CUSTOMER DRAWING		
4 PLACES ±		±	±	CHK'D: GGA 2023/05/12			DOCUMENT NUMBER		
3 PLACES ±		±	±	APPR: GGA 2023/05/12			SD-73771-001		
2 PLACES ±		0.05	±	INITIAL REVISION:			DOC TYPE DOC PART REVISION		
1 PLACE ±		0.1	±	DRWN: JBINHAM 1997/03/07			PSD 001 J		
0 PLACES ±		±	±	APPR: CBIXLER 1997/03/07			MATERIAL NUMBER CUSTOMER SHEET NUMBER		
ANGULAR TOL ± 0.5°		THIRD ANGLE PROJECTION			DRAWING		SERIES		SEE TABLE
DRAFT WHERE APPLICABLE MUST REMAIN WITHIN DIMENSIONS		C-SIZE		73771		GENERAL MARKET		1 OF 2	



MATERIAL NUMBER ASSIGNMENT

73771- * * * *

0 = 72-CIRCUIT
1 = 144-CIRCUIT

1 = 15.05 STACKING HEIGHT
2 = 6.05 STACKING HEIGHT
3 = 10.05 STACKING HEIGHT

NUMBER	GUIDE POST LOCATION
00	A
01	B
02	N/A

PRE-RELEASE
REFERENCE
USE ONLY

THIS DRAWING CONTAINS INFORMATION THAT IS PROPRIETARY TO MOLEX ELECTRONIC TECHNOLOGIES, LLC AND SHOULD NOT BE USED WITHOUT WRITTEN PERMISSION									
DIMENSION UNITS mm		SCALE 1:1		CURRENT REV DESC: REMOVED OBSOLETE PART NUMBER AS PER PCN#511698.				molex	
GENERAL TOLERANCES (UNLESS SPECIFIED)				EC NO: 742551		SALES ASSEMBLY HDM BACKPLANE STACKING MOD CLOSED END OPT PRESSFIT			
4 PLACES ±		±		DRWN: SANTHN		2023/03/30		PRODUCT CUSTOMER DRAWING	
3 PLACES ±		±		CHK'D: GGA		2023/05/12			
2 PLACES ±		0.05 ±		APPR: GGA		2023/05/12		DOCUMENT NUMBER SD-73771-001	
1 PLACE ±		0.1 ±		INITIAL REVISION:		DOC TYPE PSD			
0 PLACES ±		±		DRWN: JBINGHAM		1997/03/07		REVISION J	
ANGULAR TOL ±		0.5 °		APPR: CBIXLER		1997/03/07		MATERIAL NUMBER SEE TABLE	
DRAFT WHERE APPLICABLE MUST REMAIN WITHIN DIMENSIONS		THIRD ANGLE PROJECTION		DRAWING C-SIZE		SERIES 73771		CUSTOMER GENERAL MARKET	
DOCUMENT STATUS		P1		RELEASE DATE		2023/05/12 06:17:04		SHEET NUMBER 2 OF 2	