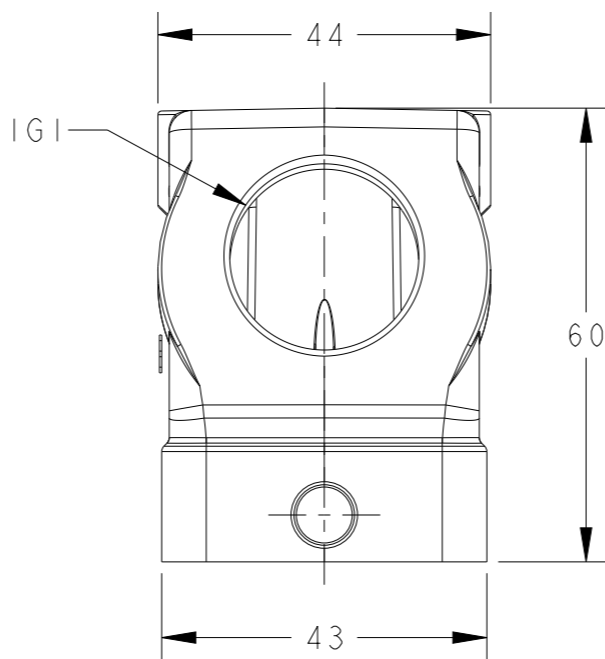
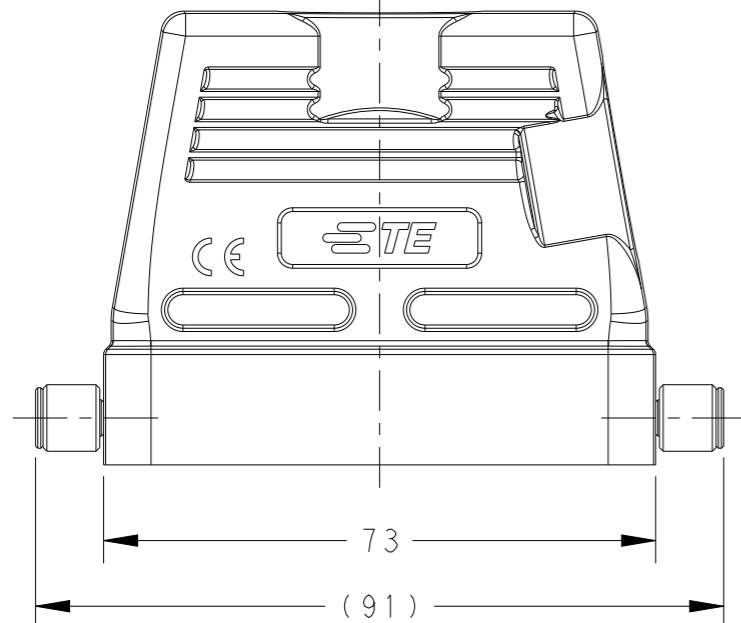


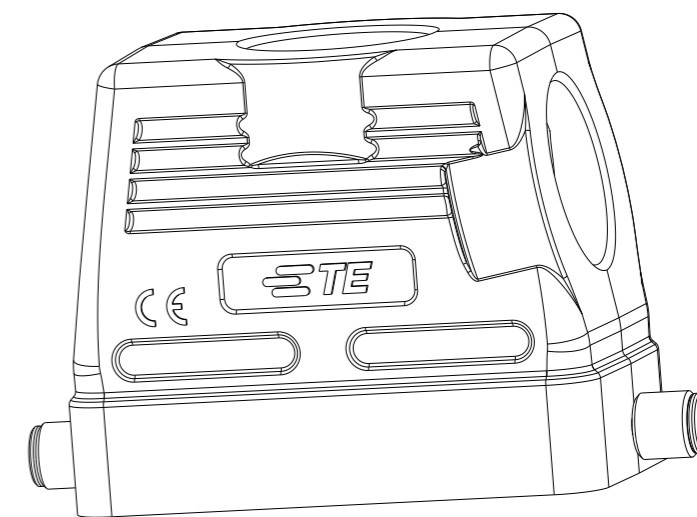
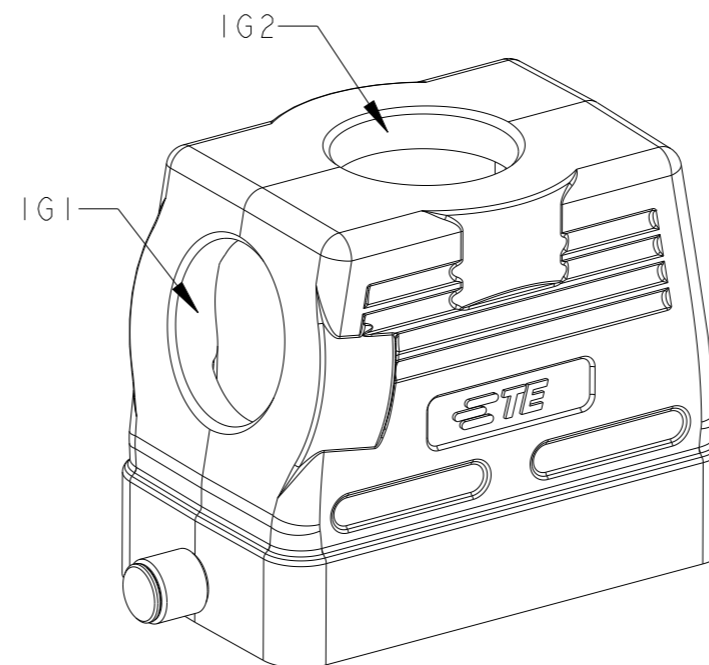
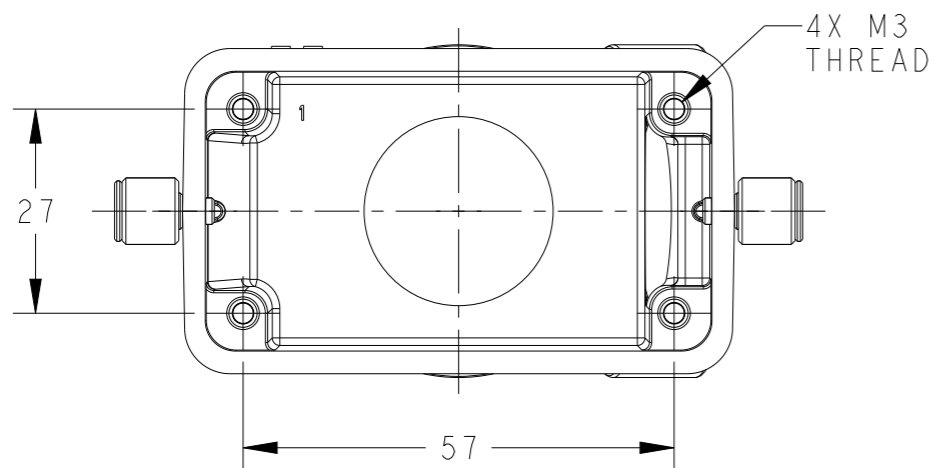
REVISIONS

P	LTR	DESCRIPTION	DATE	DWN	APVD
A		INITIAL	04JUN2015	DW	CW
B		ECR-20-008181	30JUN2020	WQR	CW
B1		ECR-21-103925	04JUN2021	WQR	CW




NOTES:
 1. TECHNICAL CHARACTERISTICS:
 HOOD MATERIAL: DIE CAST ALUMINIUM ALLOY
 SURFACE: POWDER COATED, GREY
 DEGREE OF PROTECTION: IP65 (MATED)

注释:
 1. 技术参数:
 上壳材料: 铝合金
 表面处理: 粉末涂层, 灰色
 防护等级: IP65 (配合)



T1300100225-000	H10B-TS/G-RO-2M25	M25	M25
PART NUMBER	DESCRIPTION	IG1	IG2

THIS DRAWING IS A CONTROLLED DOCUMENT.		DWN 04JUN2015 David Wang	 TE Connectivity	
DIMENSIONS: mm		CHK 04JUN2015 Chris Wang		
TOLERANCES UNLESS OTHERWISE SPECIFIED:		APVD 04JUN2015 Xiang Xu	NAME H10B-TS/G-RO-2M25	
0 PLC ±-		PRODUCT SPEC 108-137013	SIZE CAGE CODE DRAWING NO RESTRICTED TO	
1 PLC ±-		APPLICATION SPEC 114-137013	A300779 C-T1300100225000 -	
2 PLC ±-		WEIGHT -	SCALE 1:1 SHEET 1 OF 1 REV B1	
3 PLC ±-		Customer Drawing		
4 PLC ±-				
ANGLES ±-				
FINISH				
MATERIAL				