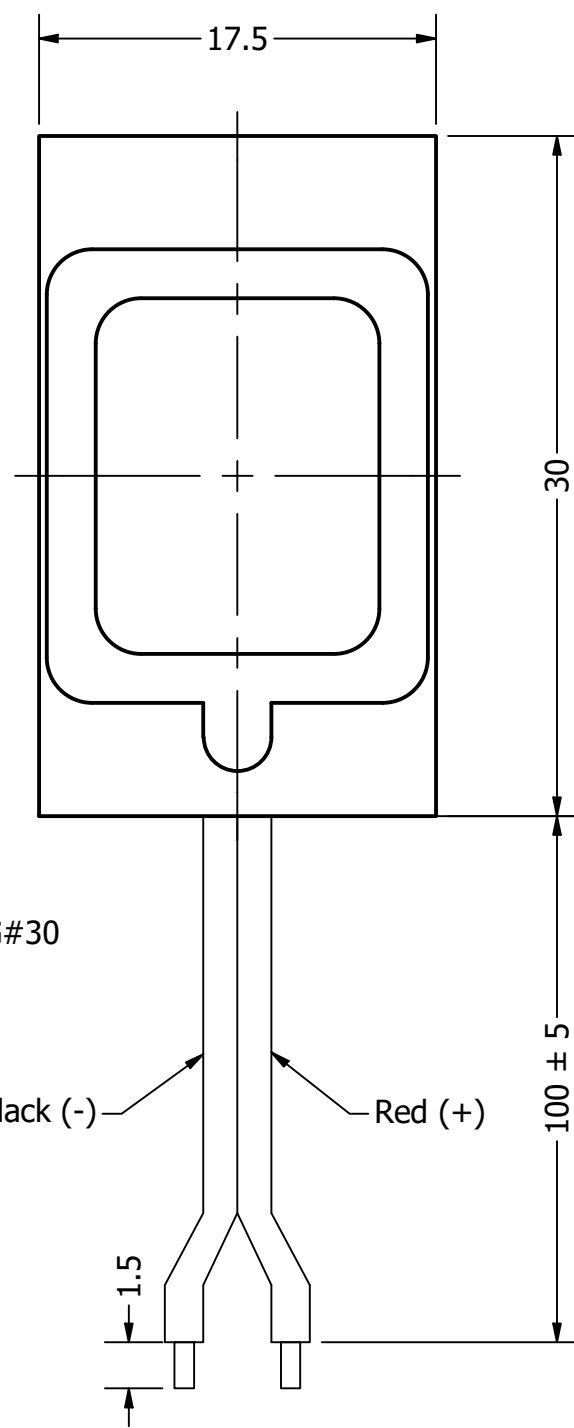
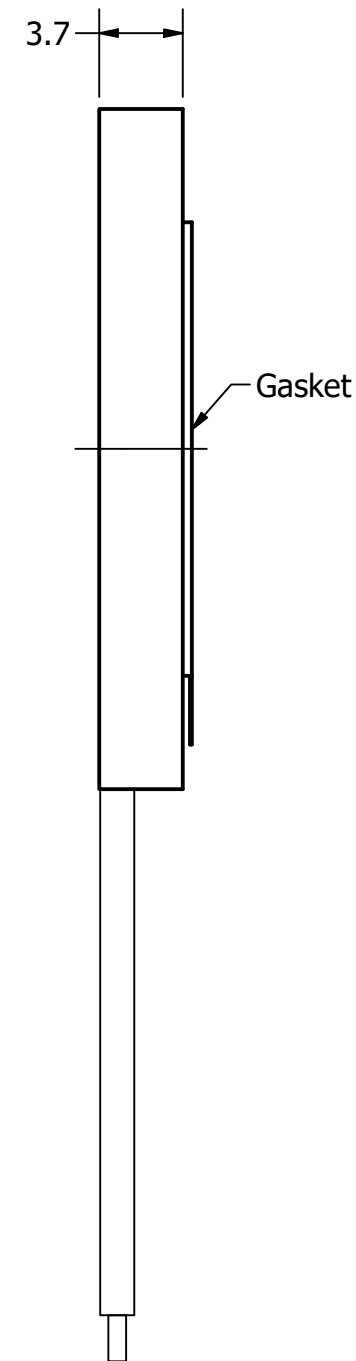


Part Number:	SW301008-1	
	DRAWN CJ	4/10/2021
Description:	Waterproof Speaker	
	CHECKED P.D.	4/22/2021
	APPROVED J.S.	4/22/2021
This document contains data proprietary to DB Unlimited. Any use or reproduction, in any form, without prior written permission of DB Unlimited is prohibited. All terms and conditions can be found at <a href="http://www.dbunlimitedco.com">www.dbunlimitedco.com</a>		

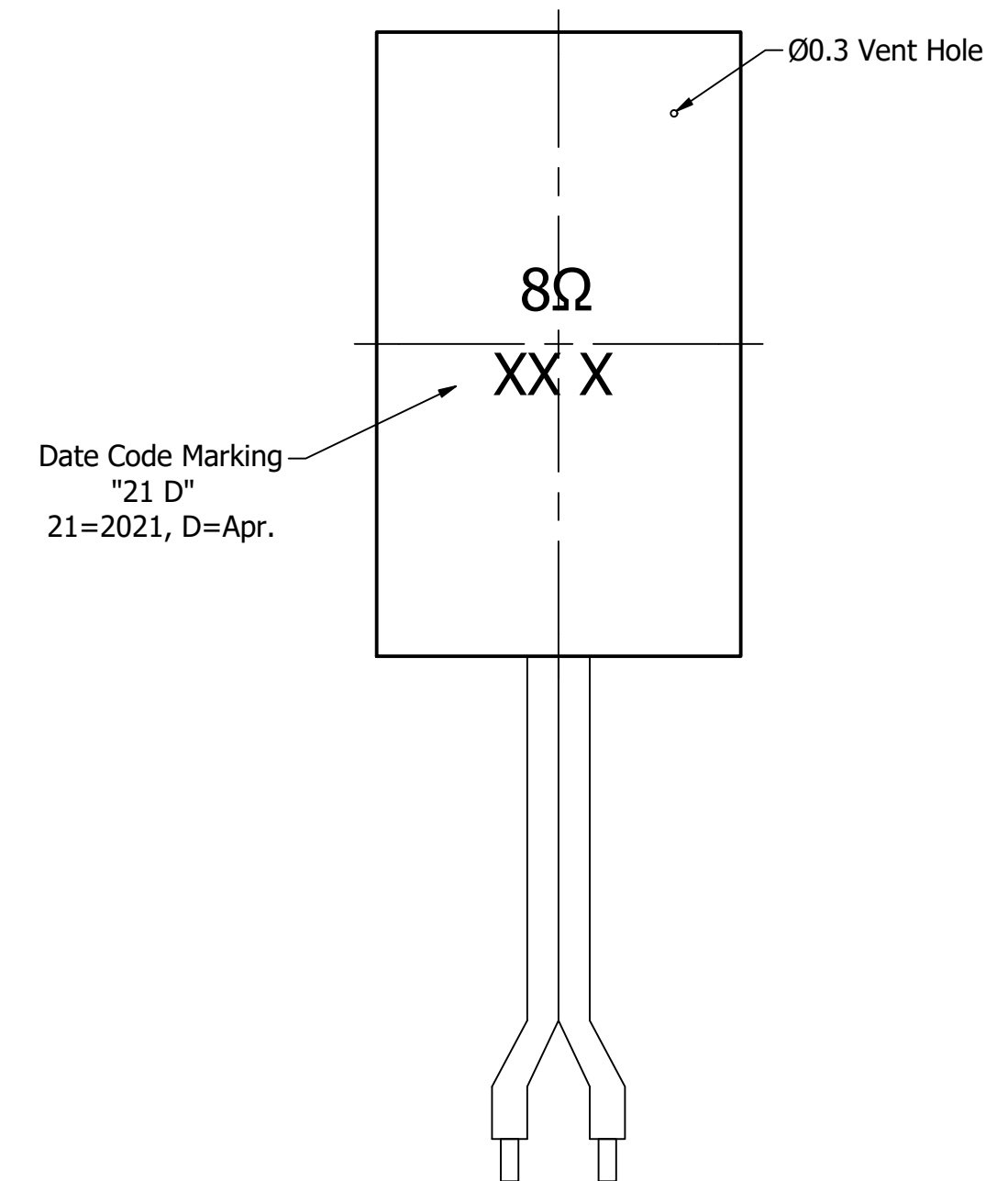
Top View



Side View



Bottom View



Items	Specifications	Conditions
Sound Pressure Level	95	dB (@ 1W/10cm)
Resonant Frequency	1,050	Hz
Frequency Range	1,050 ~ 20,000	Hz
Nominal Power	1	W
Max. Power	1.5	W
Impedance	8	Ω
Cone Material	PE	
Mount Type	Flush Mount	
IP Rating	IP67	
Storage Temperature	-20 ~ +60	°C
Operating Temperature	-20 ~ +60	°C

REVISION HISTORY

REV	DESCRIPTION	DATE	APPROVED
	Released from Engineering	4/22/2021	J.S.

NOTES

- 1) All dimensions are in mm unless otherwise noted
- 2) All tolerances are ± 0.2 mm unless otherwise noted
- 3) All parts meet RoHS
- 4) Subject to change or redrawn without notice