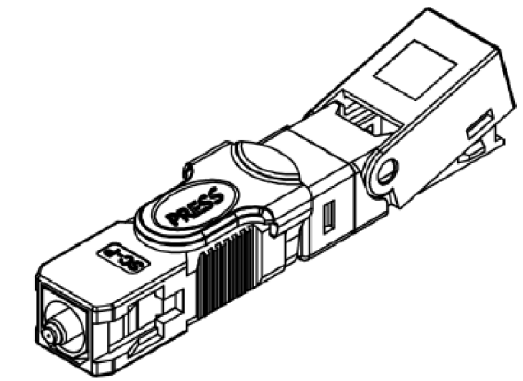
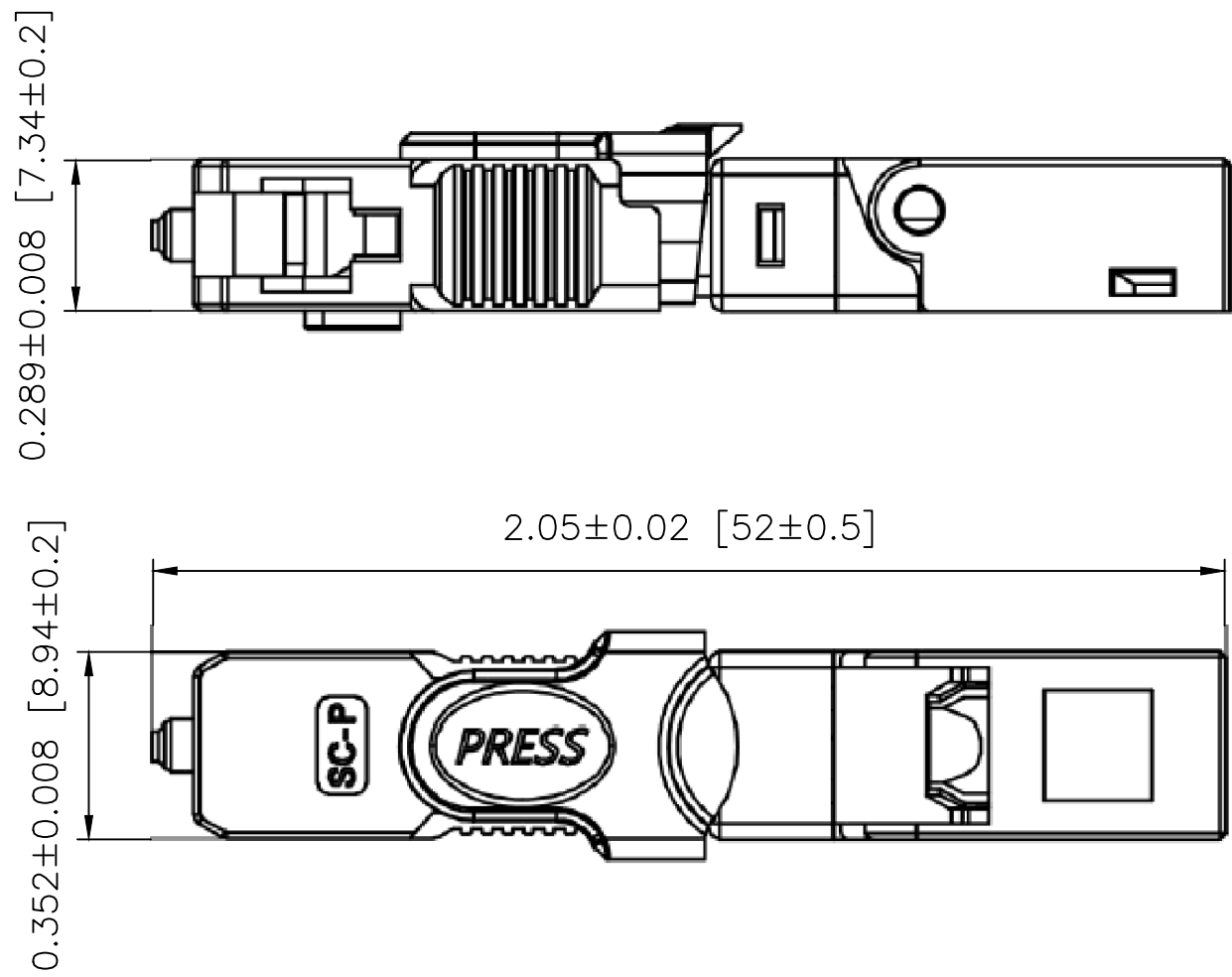


DATE	REV	ECN	APP'D. BY
6-7-22	A0	11995	GWL



NOTES

1. HOUSING COLOR: BLUE
2. COMPATIBLE WITH CABLE SIZE 3X2 MM OR 2X1.6 MM

SS-20000-001
PART NUMBER

THIRD ANGLE PROJECTION 		206 Van Vorst Street Jersey City, NJ 07302 +1 201 432 0463 http://www.belfuse.com
DO NOT SCALE DRAWING DRAWING IS SUBJECT TO CHANGE WITHOUT NOTICE	TITLE: FIELD TERMINABLE SC CONNECTOR UPC	
DIMENSIONS: METRIC	THIS DRAWING AND THE SUBJECT MATTER SHOWN THEREON ARE CONFIDENTIAL AND THE PROPRIETARY PROPERTY OF BEL FUSE, INC. AND SHALL NOT BE REPRODUCED, COPIED, OR USED IN ANY MANNER WITHOUT PRIOR WRITTEN CONSENT OF BEL FUSE, INC.	DRN BY: JMM DATE 6-7-22
UNLESS OTHERWISE SPECIFIED TOLERANCES ARE ±0.13 ANGLES ARE ± 1°		APPD BY: GWL DATE 6-7-22
SHEET NO. 1 OF 1		DWG NO. CT200001 REV. A0

