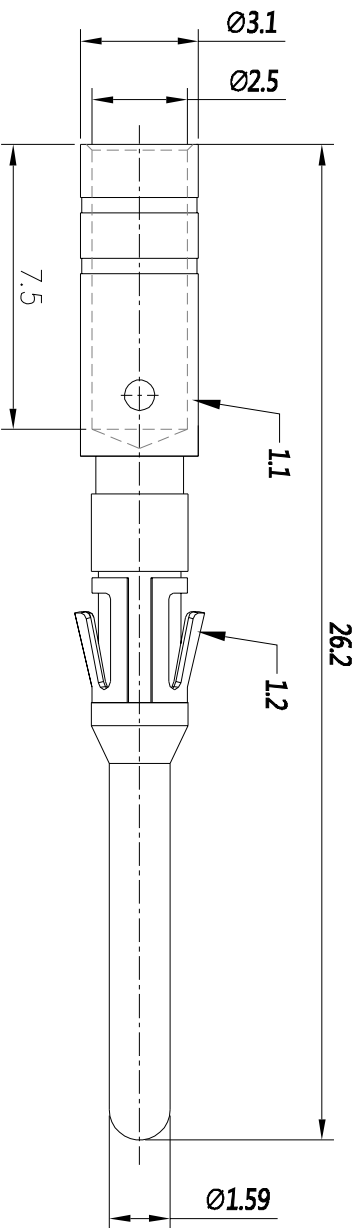


REVISIONS				
REV	ECO	DESCRIPTION	DATE	BY APPR
B1	-	RELEASED DRAWING	JULY-1-2014	BEN TOMMY



P/N	CONTACT PLATING(MATING AREA)
MP14M23T	TIN PLATING OVER NICKEL.
MP14M23S	SILVER PLATING OVER NICKEL.
MP14M23F	GOLD FLASH PLATING OVER NICKEL.
MP14M23G10	10µ" GOLD PLATING OVER NICKEL.
MP14M23G15	15µ" GOLD PLATING OVER NICKEL.
MP14M23G30	30µ" GOLD PLATING OVER NICKEL.

- NOTES : ( UNLESS OTHERWISE SPECIFIED )
- MATERIAL :
    - CONTACT BODY : COPPER ALLOY.
    - POSITIONING CLIP : COPPER ALLOY.
  - SPECIFICATIONS :
    - CURRENT RATING : 13A(MAX).
    - TERMINATION TYPE : CRIMPING.
    - WIRE RANGE : 16~14AWG.
  - SUITABLE SOCKET TYPE : MS14M23xx.
  - ROHS COMPLIANT.
  - ALL DIMENSIONS ARE FOR REFERENCE USE ONLY.

QUANTITY	PART NUMBER	DESCRIPTION	ITER
<b>MATERIALS LIST</b>			
UNLESS OTHERWISE SPECIFIED		SIGNATURES DATE	
1) All dimensions are in millimeters.		DRAWN: BBI	JULY-2014
2) Tolerances are as follows:		DESIGNER:	
1 Pk. DEC 50-50		ENGINEER:	
3 Pk. DEC 50-50		APPROVAL:	
3) Note reference =		CUSTOMER:	
MATERIAL SPECIFICATIONS:		THIS DRAWING IS SUPPLIED FOR SPECIFICATIONS AND PERFORMANCE DATA. THE DRAWING IS NOT TO BE USED FOR REPRODUCTION AND ALL RIGHTS OF REPRODUCTION ARE RESERVED. ALL MANUFACTURING VARIATIONS.	
PROCESS SPECIFICATIONS:		SCALE: NONE	
NEXT ASST:		SHEET 1 OF 1	

**Amphenol**

Sine Systems - [www.amphenol-sine.com](http://www.amphenol-sine.com)  
 44724 Monkey Drive  
 Clinton Township, MI 48038

ECO-MATE PIN CONTACT,  
 MACHINE, 16-14AWG, SIZE 16