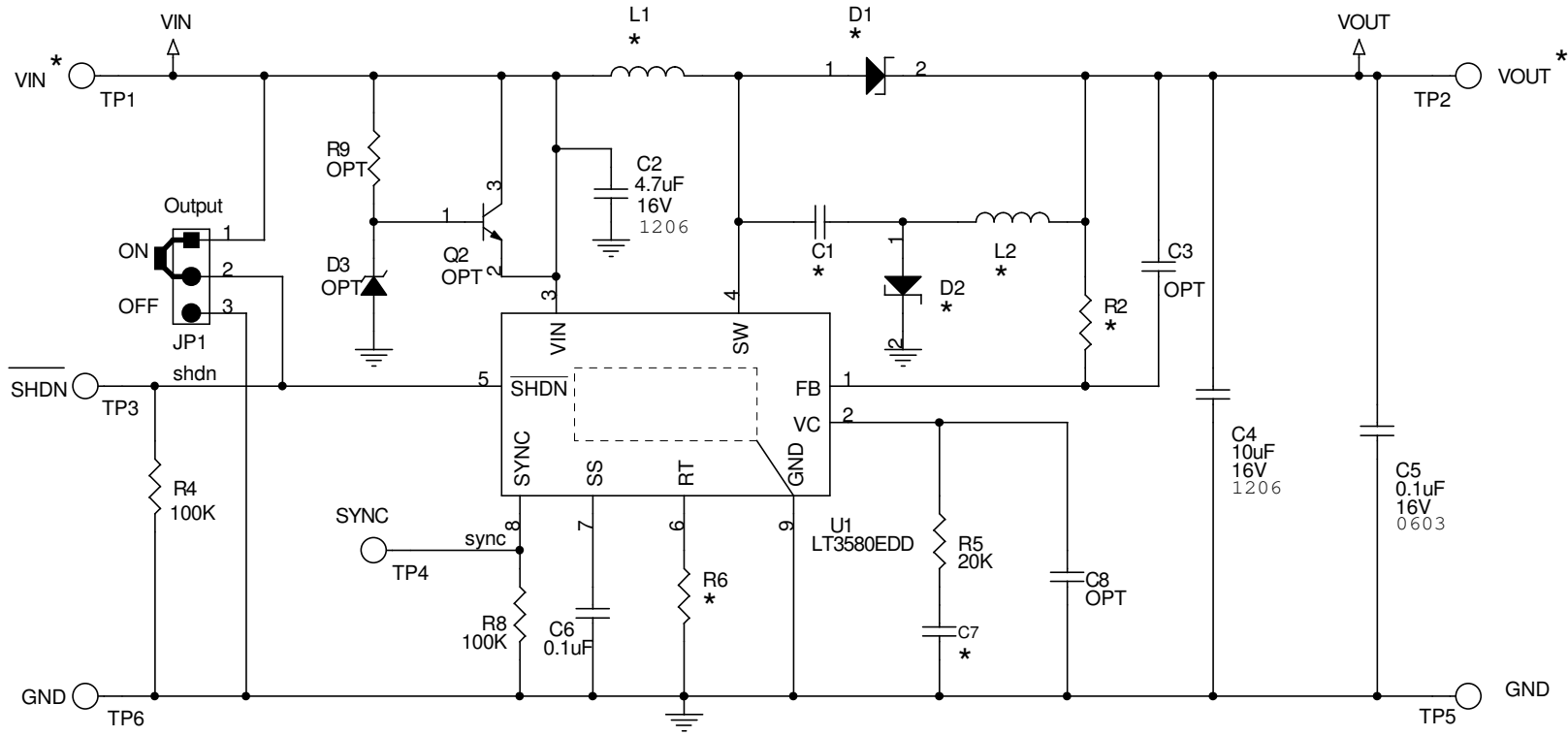


REVISION HISTORY				
ECO	REV	DESCRIPTION	DATE	APPROVED
	A	DEMO BOARD PRODUCTION RELEASE		



VERSION TABLE \*

ASSEMBLY TYPE	VIN	VOUT	D1	D2	C1	C7	L1	L2	R2	R6
DC1144A-A	3V to 10V	12V@300mA	DFLS220L	NOT USED	NOT USED	1nF	CDRH5D16-6R8	NOT USED	130K	84.5K
DC1144A-B	5V to 12V	-12V@350mA	NOT USED	DFLS130L	1uF, 25V	2.2nF	SD25-8R2	SD14-150	143K	42.2K

**CUSTOMER NOTICE**  
 LINEAR TECHNOLOGY HAS MADE A BEST EFFORT TO DESIGN A CIRCUIT THAT MEETS CUSTOMER-SUPPLIED SPECIFICATIONS; HOWEVER, IT REMAINS THE CUSTOMER'S RESPONSIBILITY TO VERIFY PROPER AND RELIABLE OPERATION IN THE ACTUAL APPLICATION. COMPONENT SUBSTITUTION AND PRINTED CIRCUIT BOARD LAYOUT MAY SIGNIFICANTLY AFFECT CIRCUIT PERFORMANCE OR RELIABILITY. CONTACT LINEAR TECHNOLOGY APPLICATIONS ENGINEERING FOR ASSISTANCE.  
 THIS CIRCUIT IS PROPRIETARY TO LINEAR TECHNOLOGY AND SUPPLIED FOR USE WITH LINEAR TECHNOLOGY PARTS.

CONTRACT NO.	
APPROVALS	DATE
DRAWN A. Karpova	08/10/06
CHECKED	
APPROVED	
ENGINEER J. Rosales	08/10/06
DESIGNER	
Monday, July 16, 2007	



1630 McCarthy Blvd.  
 Milpitas, CA 95035  
 Phone: (408)432-1900  
 Fax: (408)434-0507

TITLE		LT3580EDD BOOST/ INVERTING REGULATOR	
SIZE	CAGE CODE	DWG NO	REV
		DC1144A	2
SCALE:	FILENAME:	SHEET 1	OF 1