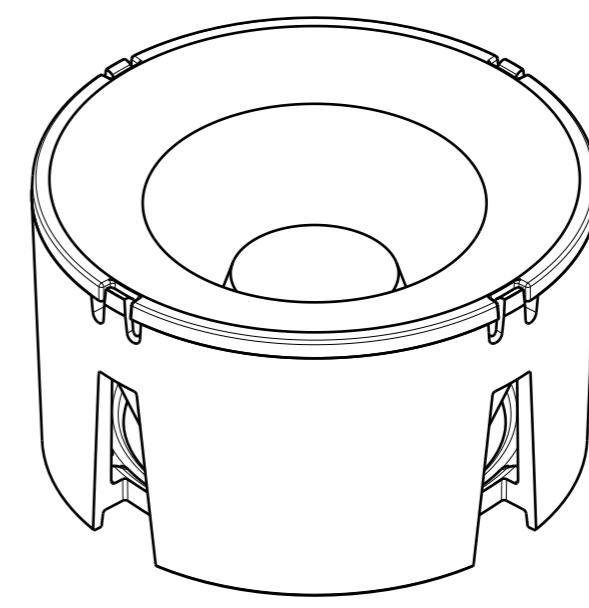
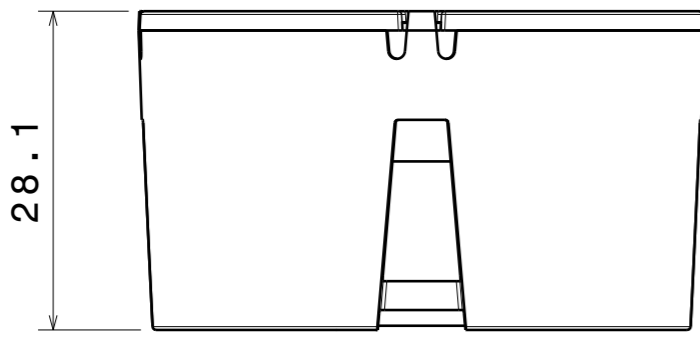


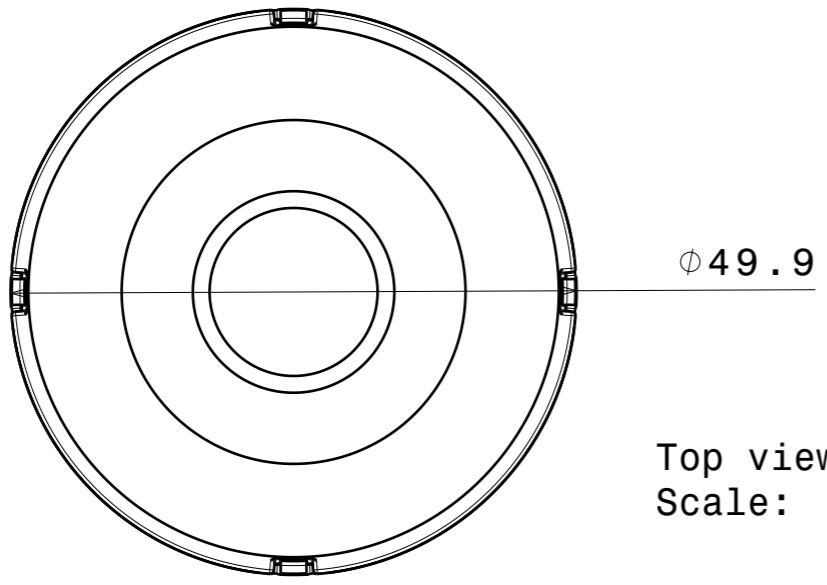
Bottom view
Scale: 3:2



Isometric view
Scale: 3:2



Front view
Scale: 3:2



Top view
Scale: 3:2

CP17402_YASMEEN-50-W-C
COMPONENTS

INDEX	PART	TYPE	MATERIAL	COLOR / COATING
1	C17397_YASMEEN-50-HLD-C	HOLDER	PC	black
2	C17236_Yasmeen-50-W	LENS	PMMA	CLEAR

MECHANICAL DRAWING		LEDiL®
PRODUCT YASMEEN		
Plastic moulding general tolerances according to DIN 16901-130 and applies if not otherwise shown in the drawing. Silicone moulding general tolerances according to ISO 3302-1 Class M3 and applies if not otherwise shown in the drawing.	FIRST ANGLE PROJECTION: 	This drawing is the property of LEDiL Oy. It may not be copied or otherwise distributed without prior written permission from LEDiL Oy.
SCALE 3:2	WEIGHT 27.774 g	A3 SHEET 1/1

Notes

	PCB or heatsink level.
	LED location
	Ensure LED fitting from a product specific 3D model available from www.ledil.com
	For more details about installation please see LEDiL Installation Guide on www.ledil.com