

1

2

3

4

5

6

7

A

A

B

B

C

C

D

D

E

E

F

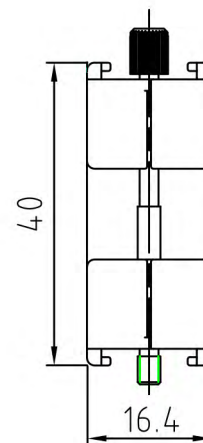
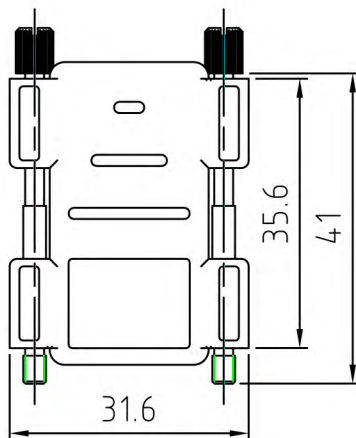
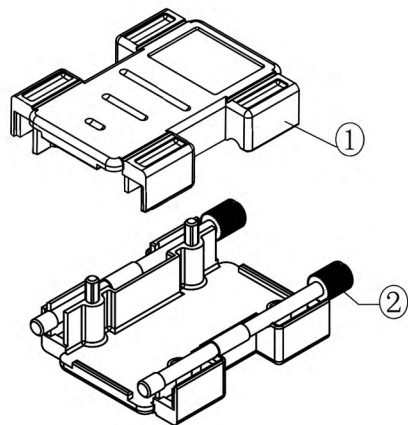
F

G

G

H

H



TECHNICAL SPECIFICATIONS

Material: ABS Plastic, UL94 V-0
 Plating: Nickel over Copper
 Operating Temperature: -30°C to +110°C
 Jackscrews: UNC 4-40

No. of contacts: 09-15-25

Item	QTY	Part description
1	2	Cover Halves
2	2	UNC 4-40x47 Jackscrew

RoHS compliant
 Unit: mm

Scale	Free				Date	Name	Customer-No.	
TOLERANCE					Drawn	17.08.2017	S.Bölling	
0~6	±0.10				Approved	17.08.2017	S.Bölling	
6~30	±0.20							
30~120	±0.30							
120~400	±0.50							
DIM	Tol							
Angle	±1°	Ⓞ	Drawn	17.08.2017				S.Bölling
Angle	Tol	Id.	Modification	Date				Name
						Drawing-No. ASS_5246_CO Replace	ASSMANN WSW-No. ACOV-SUB-09MB5 rev00 Sheet 1/3	

1

2

3

4

5

6

7

SV4382

1

2

3

4

5

6

7

A

B

C

D

E

F

G

H

A

B

C

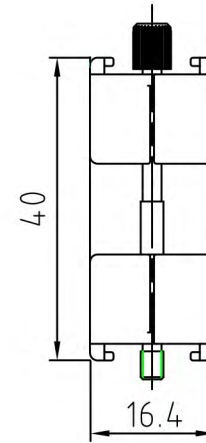
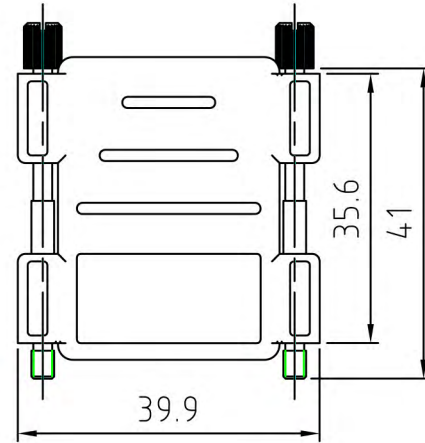
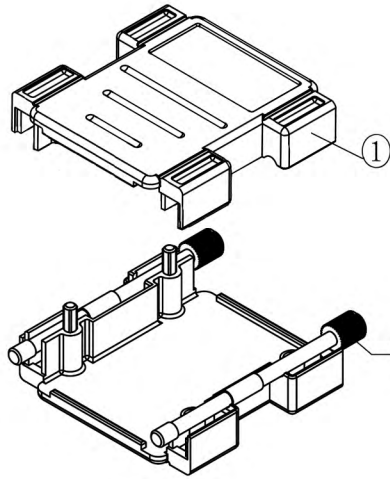
D

E

F

G

H



TECHNICAL SPECIFICATIONS

Material: ABS Plastic, UL94 V-0
 Plating: Nickel over Copper
 Operating Temperature: -30°C to +110°C
 Jackscrews: UNC 4-40

No. of contacts: 09-15-25

Item	QTY	Part description
1	2	Cover Halves
2	2	UNC 4-40x47 Jackscrew

RoHS compliant
 Unit: mm

Scale	Free					Date	Name	
TOLERANCE						Drawn	17.08.2017	S.Bölling
0~6	±0.10					Approved	17.08.2017	S.Bölling
6~30	±0.20							
30~120	±0.30							
120~400	±0.50							
DIM	Tol							
Angle	±1°	Ⓢ	Drawn			17.08.2017	S.Bölling	
Angle	Tol	Id.	Modification			Date	Name	



Customer-No.
 ASSMANN WSW-No.
ACOV-SUB-15MB5

Drawing-No.
ASS_5246_CO rev00
 Replace
 Sheet 2/3

1

2

3

4

5

6

7

SV4382

1

2

3

4

5

6

7

A

B

C

D

E

F

G

H

A

B

C

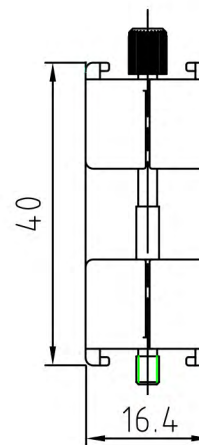
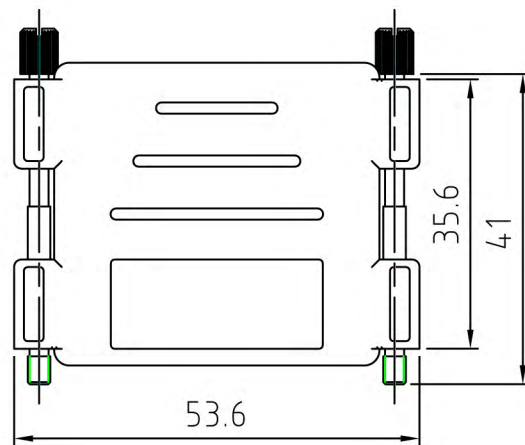
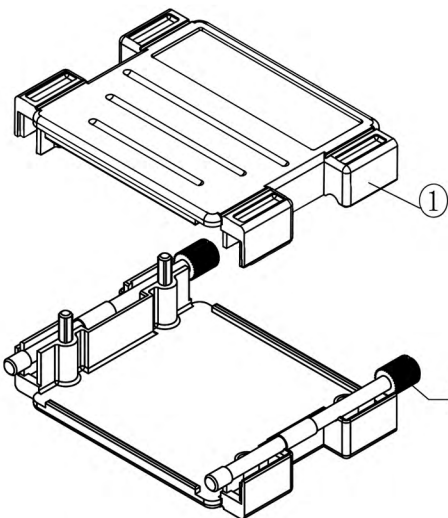
D

E

F

G

H



TECHNICAL SPECIFICATIONS

Material: ABS Plastic, UL94 V-0
 Plating: Nickel over Copper
 Operating Temperature: -30°C to +110°C
 Jackscrews: UNC 4-40

No. of contacts: 09-15-25

Item	QTY	Part description
1	2	Cover Halves
2	2	UNC 4-40x47 Jackscrew

RoHS compliant
 Unit: mm

Scale	Free						Date	Name	Customer-No.	
TOLERANCE							Drawn	17.08.2017	S.Bölling	ASSMANN WSW-No. ACOV-SUB-25MB5
0~6	±0.10						Approved	17.08.2017	S.Bölling	
6~30	±0.20									
30~120	±0.30									
120~400	±0.50									Drawing-No.
DIM	Tol									ASS_5246_CO
Angle	±1°	©	Drawn	17.08.2017	S.Bölling					rev00
Angle	Tol	Id.	Modification	Date	Name					Sheet 3/3

ASSMANN
 WSW components

Drawing-No.

ASS_5246_CO

Replace

rev00

Sheet 3/3

1

2

3

4

5

6

7

SV4382