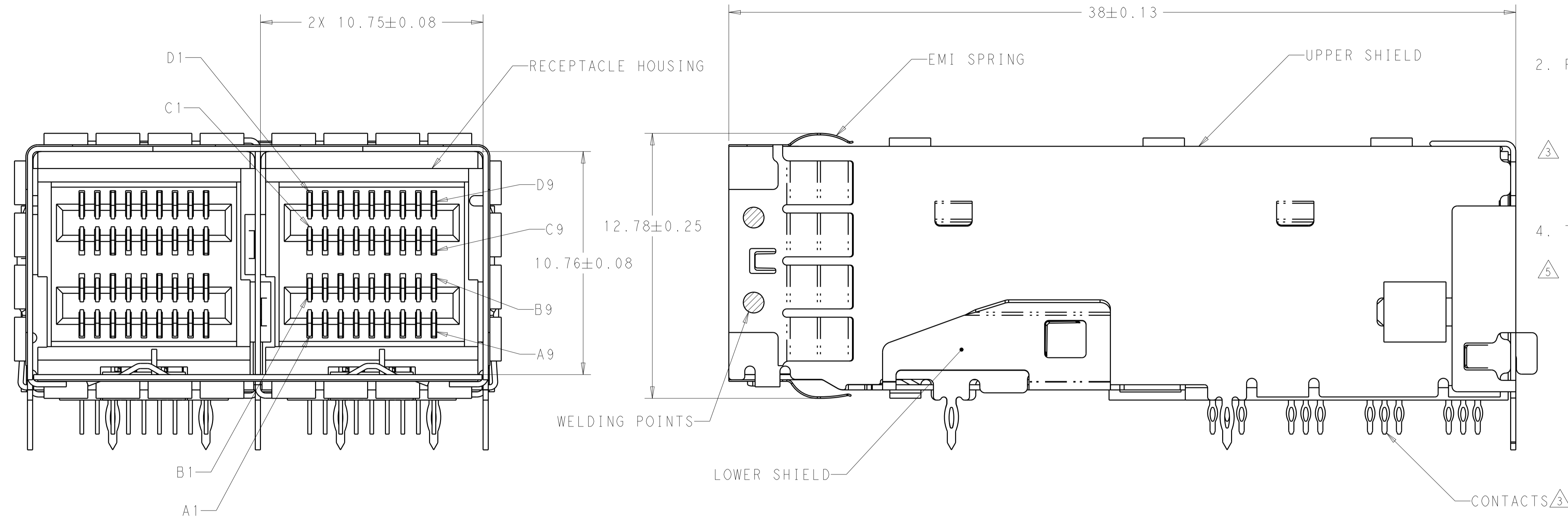
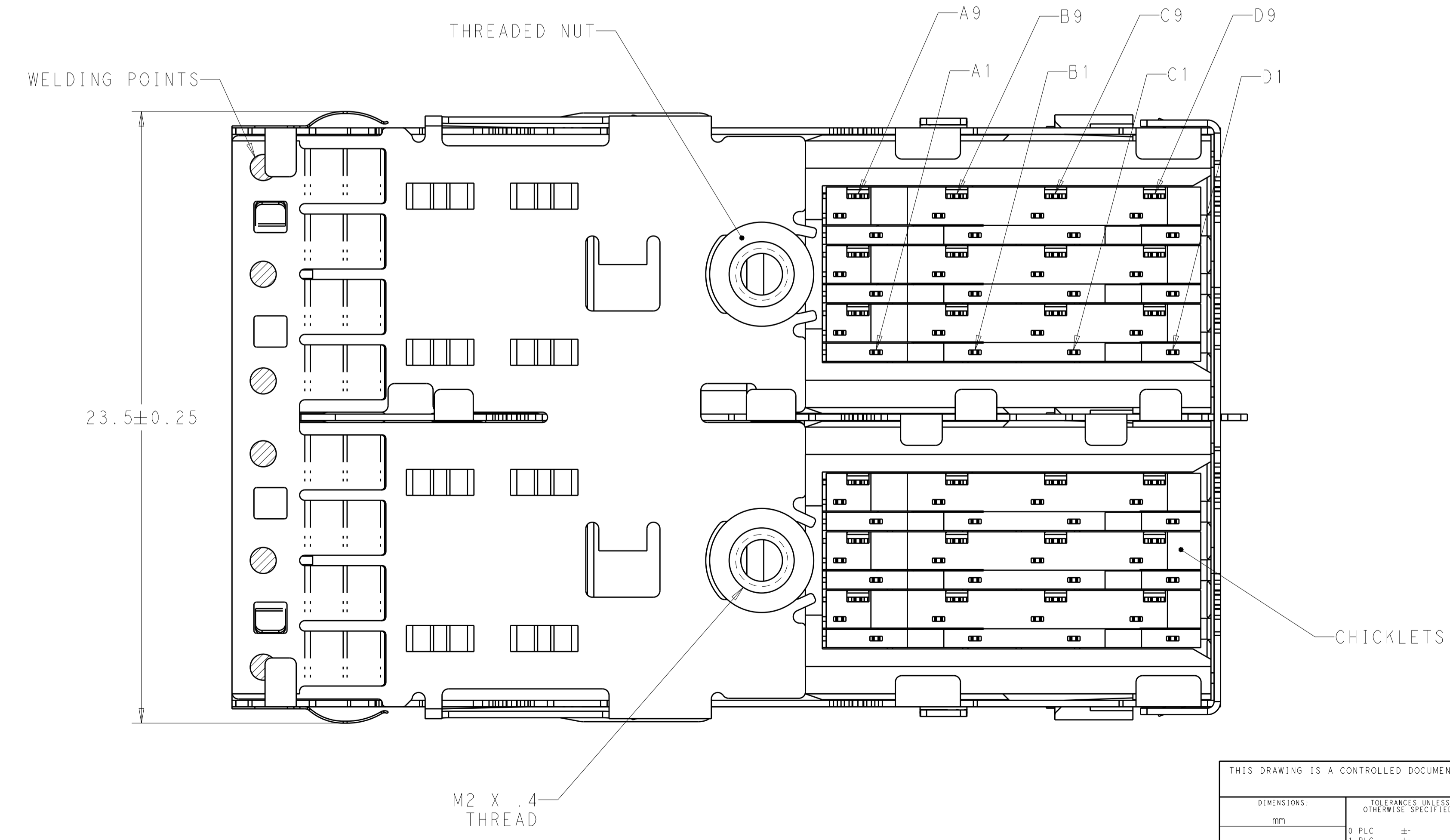


LOC	DIST	REVISIONS			
P	LTN	DESCRIPTION	DATE	DMN	APVD
A		REVISED PER ECO-14-018497	17DEC2014	AP	DG
B		REVISED PER ECO-15-013876	16MAY2016	JY	SH



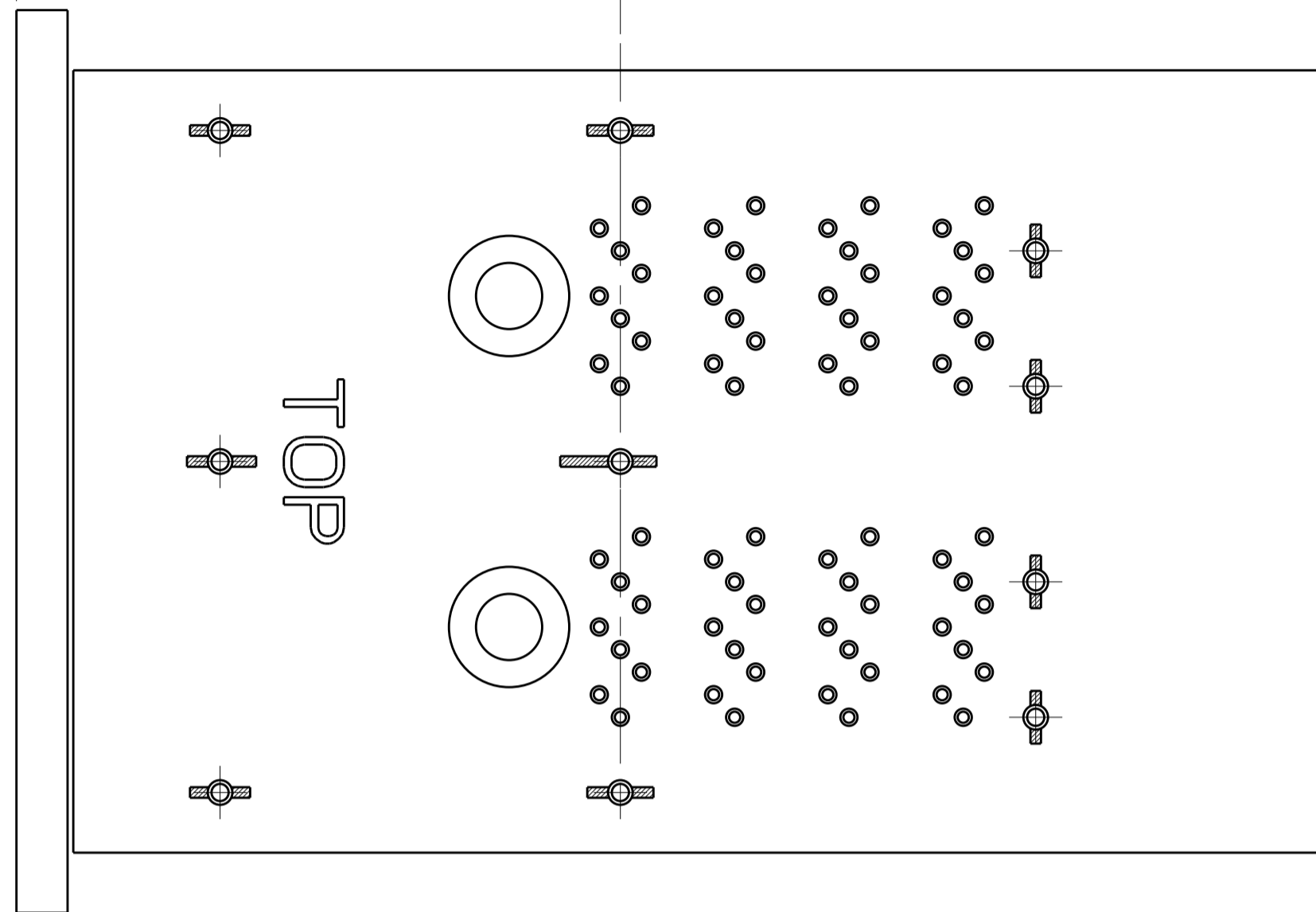
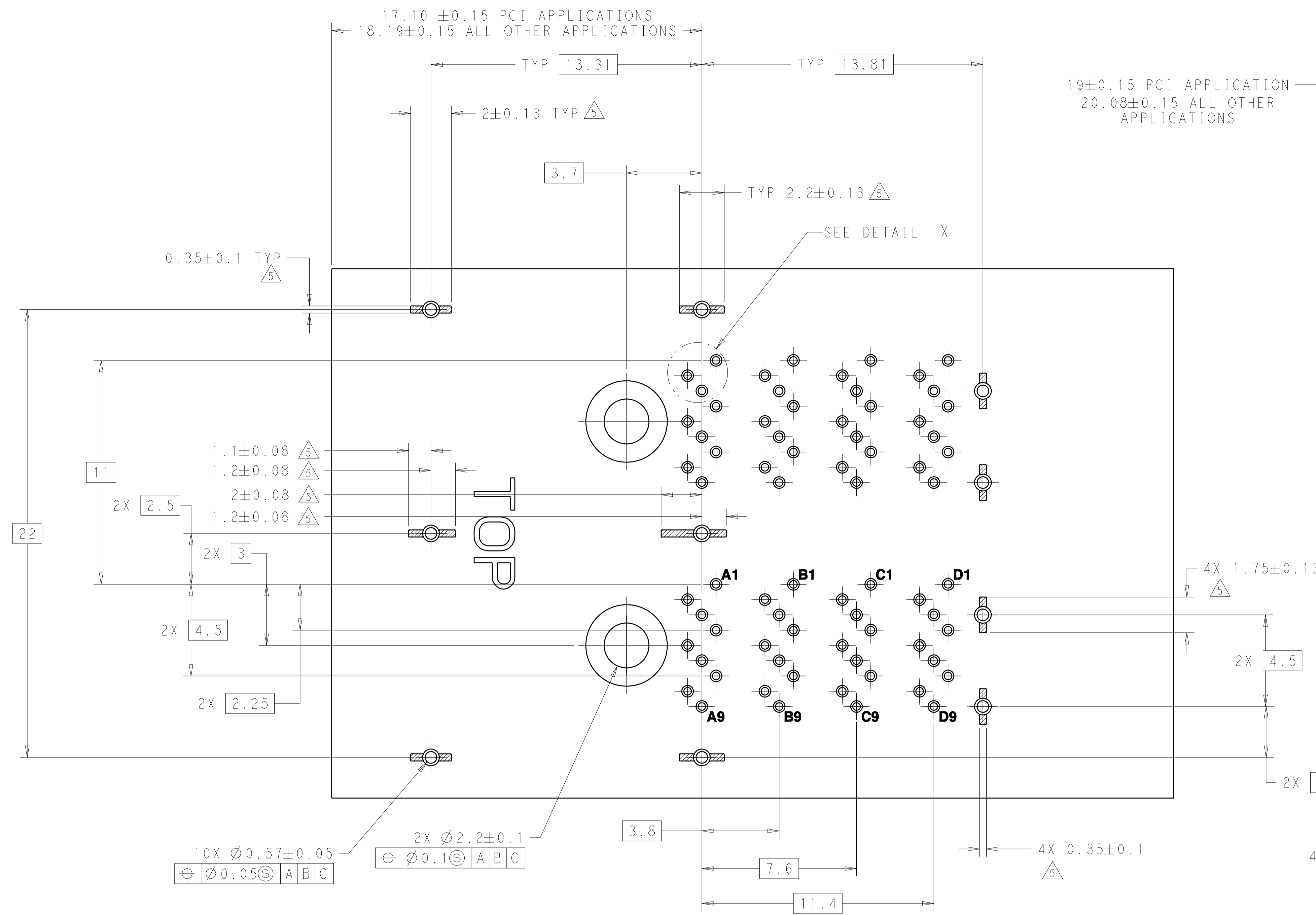
1. MATERIALS
 RECEPTACLE HOUSING, LCP, BLACK, UL94V-0 RATED
 SHIELD ASSY: NICKEL SILVER COPPER ALLOY
 CONTACTS: COPPER ALLOY
 EMI SPRING: COPPER ALLOY
 THREADED NUT: BRASS
 CHICKLETS: LCP, BLACK, UL 94V-0 RATED
 2. FINISH
 EMI SPRING: TIN PLATE OVER NICKEL PLATE
 NON-PLATED EDGES PERMISSABLE
 THREADED NUT: NICKEL PLATE
 3. CONTACT FINISH: CONFORMS TO THE REQUIREMENTS OF TE PRODUCT SPECIFICATION, 108-2462. BASED ON EIA/ECA-364-1000.01A. (CONTROLLED ENVIRONMENT APPLICATIONS) ON MATING END. TIN PLATED ON PCB TAIL
 4. THREAD LENGTH OF FASTENER = PCB THICKNESS + 1.45 MAX
- RECOMMENDED TRACE KEEP OUT ZONE



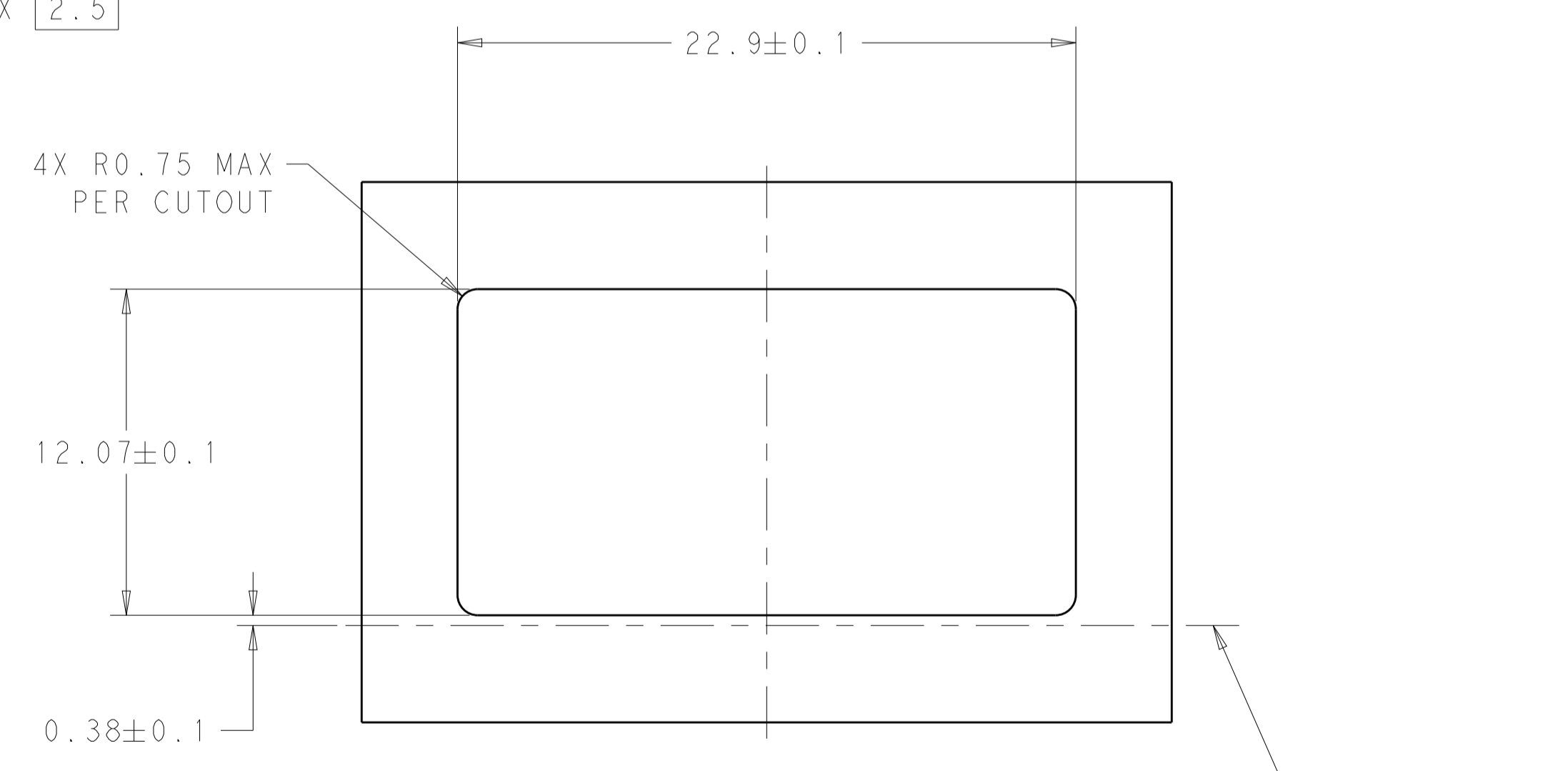
2214869-1
PART NUMBER

THIS DRAWING IS A CONTROLLED DOCUMENT.		DMN J. SECHRIST 26MAR2012	
DIMENSIONS: mm		CHK J. SECHRIST 26MAR2012	
TOLERANCES UNLESS OTHERWISE SPECIFIED:		APVD -	NAME
0 PLC ±		PRODUCT SPEC	RECEPTACLE ASSEMBLY, MINI-SAS HD, 2X
1 PLC ±		108-2462	
2 PLC ±		APPLICATION SPEC	
3 PLC ±		114-13316	
4 PLC ±		WEIGHT	
ANGLES ±		MATERIAL	
FINISH		Customer Drawing	

LOC	DIST	REVISIONS			
P	LTN	DESCRIPTION	DATE	DWN	APVD
-	-	SEE SHEET 1	-	-	-



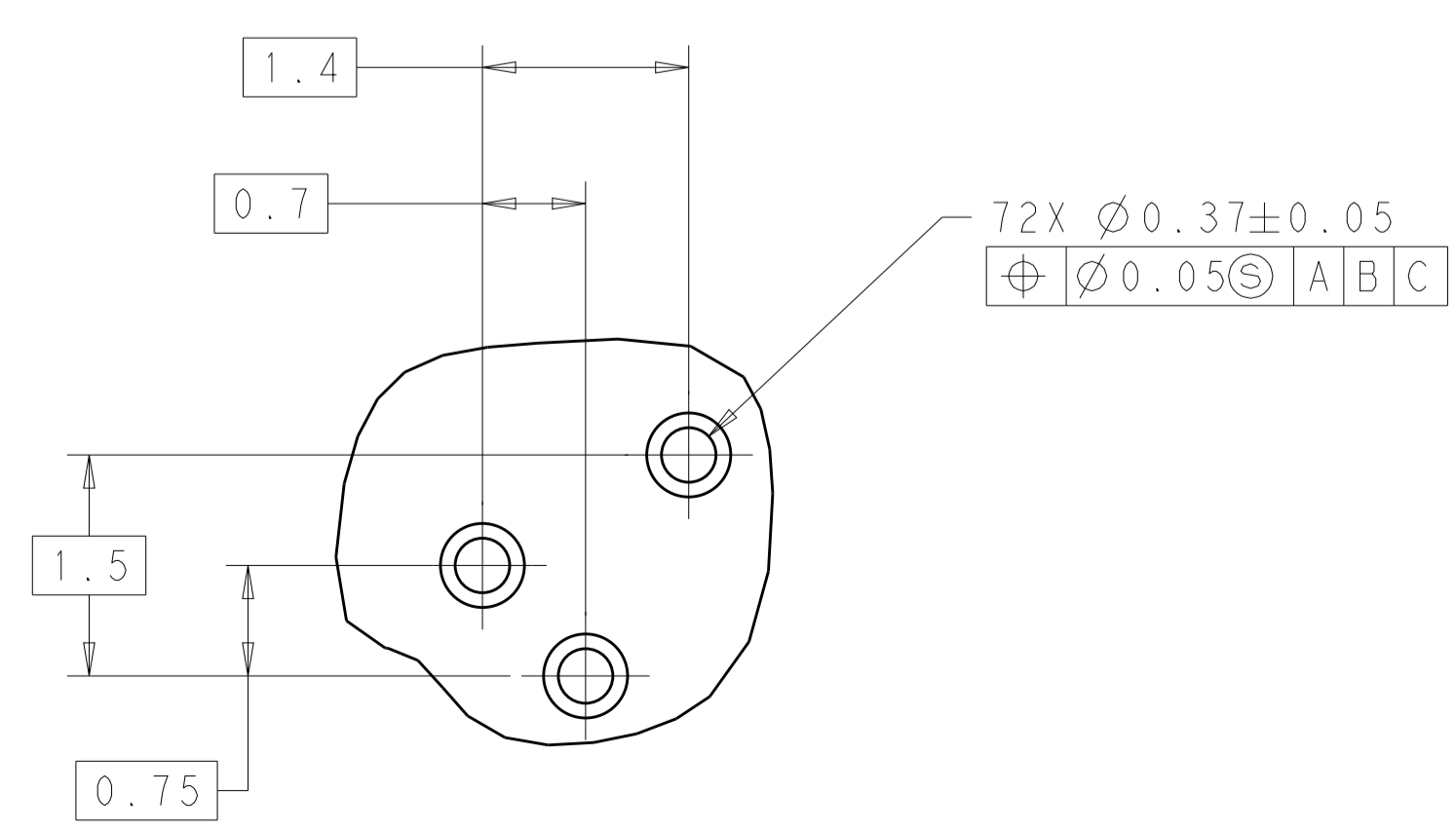
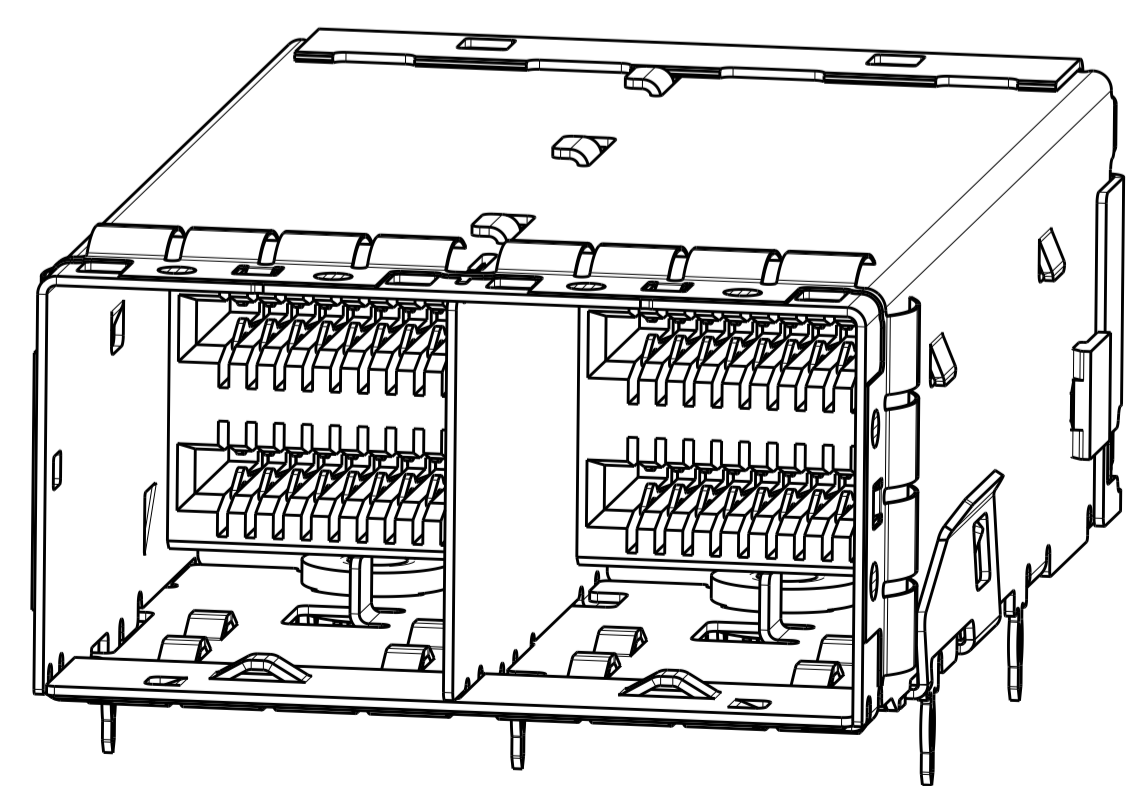
PANEL/PCB ASSEMBLY
SCALE=5:1



RECOMMENDED I/O PANEL CUTOUT
SCALE=5:1

TOP SURFACE OF PCB

RECOMMENDED PCB LAYOUT



DETAIL X
SCALE 20:1

THIS DRAWING IS A CONTROLLED DOCUMENT.		DWN: J. SECHRIST 26MAR2012	TE Connectivity
DIMENSIONS:		CHK: J. SECHRIST 26MAR2012	
mm	0 PLC ±	PRODUCT SPEC	RECEPTACLE ASSEMBLY, MINI-SAS HD, 2X
	1 PLC ±	108-2462	SIZE: CAGE CODE DRAWING NO: RESTRICTED TO
	2 PLC ±	APPLICATION SPEC	A100779C=2214869
	3 PLC ±	114-13316	SCALE: 8:1 SHEET 2 OF 2 REV B
	4 PLC ±	FINISH	Customer Drawing
MATERIAL:		WEIGHT	