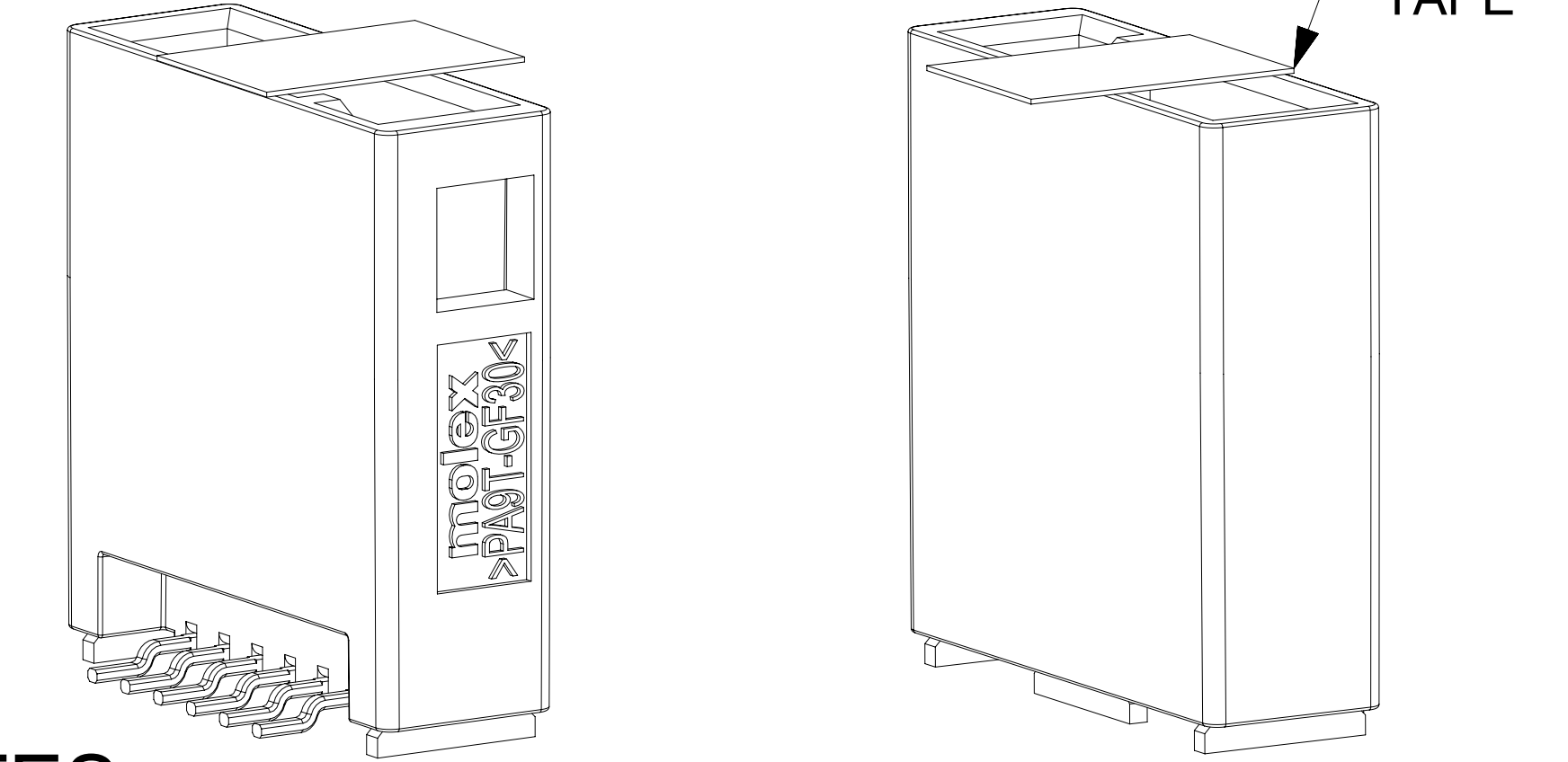


EXAMPLE:

PN 2080353041
 208035 - SERIES NUMBER: SINGLE ROW VERTICAL SMT HEADER - STD. PERF.
 3 - TYPE OF COMPONENT: V0 MATERIAL; WITH TAPE; FULLY POPULATED
 04 - 4 USABLE CIRCUITS
 1 - POL A

FINAL PART: 4CKT SINGLE ROW STANDARD PERFORMANCE VERTICAL SMT HEADER WITH TAPE - KEY A

CONNTAK50 SINGLE ROW VERTICAL SMT HEADERS (6CKT SHOWN)



| | SERIES NUMBERS (AAAAAA) | TYPE OF COMPONENT (B) | USABLE CIRCUITS (CC) | KEY (D) |
|-------------------|---|--|----------------------|-----------|
| MATING COMPONENTS | 205827 - SR TANG RECEPTACLE | 2 - V0 MATL; NO TAPE; FULLY POPULATED 3 - V0 MATL; WITH TAPE; FULLY POPULATED | 02 - 2 Circuits | 1 - KEY A |
| ON DRAWING | 208037 - SR CLEAN BODY RECEPTACLE | | ... | 2 - KEY B |
| OTHER | 208035 - SR VERTICAL SMT HEADER - STANDARD PERF. | | ... | 3 - KEY C |
| | 208033 - SR RIGHT ANGLE SMT HEADER - STANDARD PERF. | | 11 - 11 Circuits | 4 - KEY D |

NOTES:

VALID UNLESS OTHERWISE SPECIFIED

- GENERAL:
 - APPLICATION SPECIFICATION SEE: 2046310000-AS
 - PRODUCT SPECIFICATION SEE: 2046310000-PS
 - PACKAGING SPECIFICATION PER MOLEX DRAWING: 2080333021-PK
 - PACKAGING IS TAPE & REEL
 - COMPATIBLE WITH STANDARD AK INTERFACE C-114-94000-20 REV A1
 - CONFORMS TO MOLEX AK INTERFACE 2046310001 REV A
 - MOLEX AK INTERFACE IS PART OF PPAP
 - TRACEABILITY MARKED IN AREA SHOWN. MARK IS CODED AS FOLLOWS:
 - ROW 1 ("XXXXXXXXXX" OR "XXXXXXXXXX-X");
 - "XXXXXXXXXX" IS MOLEX PART NUMBER ("X" INDICATES ASSEMBLY LINE NUMBER IF APPLICABLE)
 - ROW 2 (HHDDYY Z)"
 - 1ST & 2ND DIGITS (HH): HOUR OF ASSEMBLY (24 HOUR CLOCK) (EXAMPLE: 15:00 --> "15", 7:00 --> "07")
 - 3RD THRU 5TH DIGITS (DDD): JULIAN DATE (EXAMPLE: FEBRUARY 3RD --> "034")
 - 6TH & 7TH DIGITS (YY): LAST 2 DIGITS OF CALENDAR YEAR (EXAMPLE: 2013 --> "13")
 - 8TH DIGIT (Z): PERFORMANCE MARKING.
- DESIGN - MATERIALS:
 - SHROUD (PLASTIC HOUSING): PA9T-GF30%
 - PINS:
 - STANDARD PERFORMANCE PINS
 - BASE MATERIAL: C26000 BRASS
 - UNDERPLATING (CONTACT REGION): NICKEL 1.0 -1.8 μm
 - OVERPLATING (CONTACT REGION): MATTE TIN: 1.0 - 3.0 μm
- DESIGN - GEOMETRY:
 - GEOMETRIC DIMENSIONS AND TOLERANCES PER ASME Y14.5M-2009

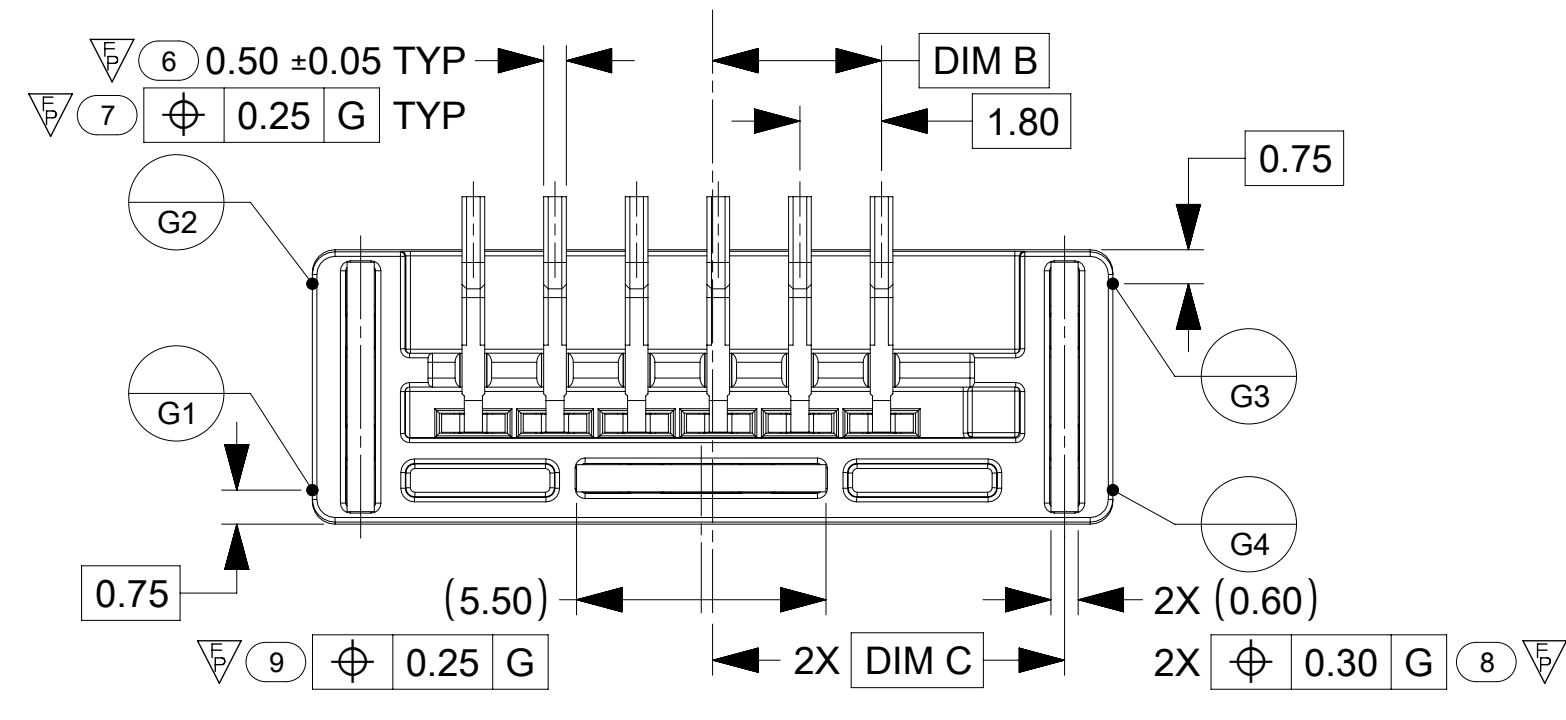
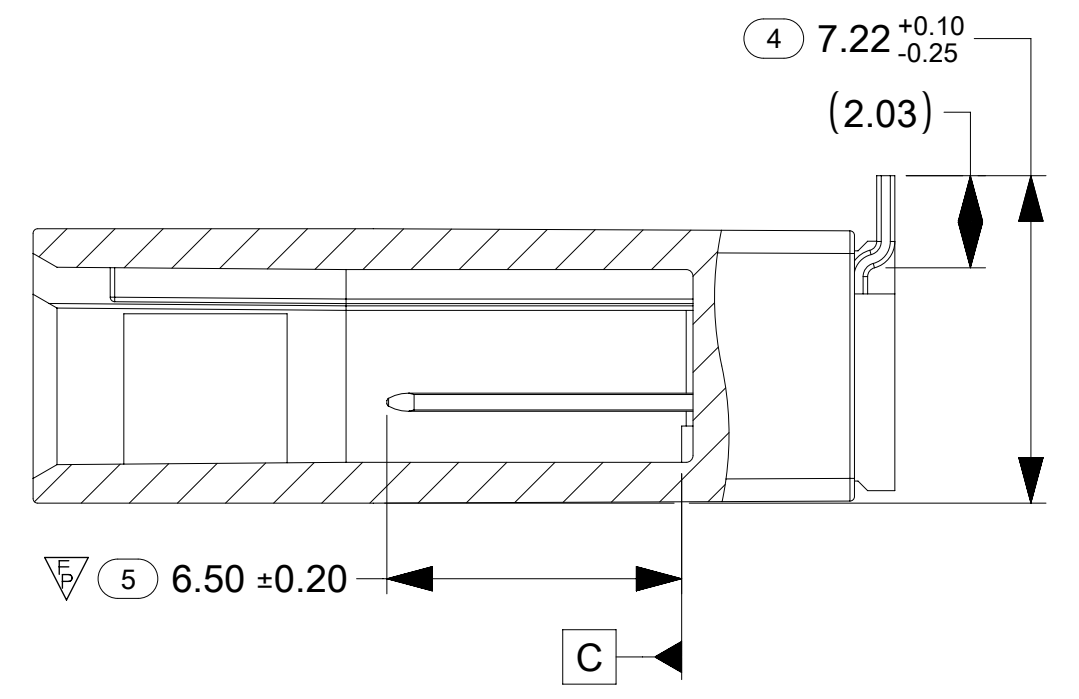
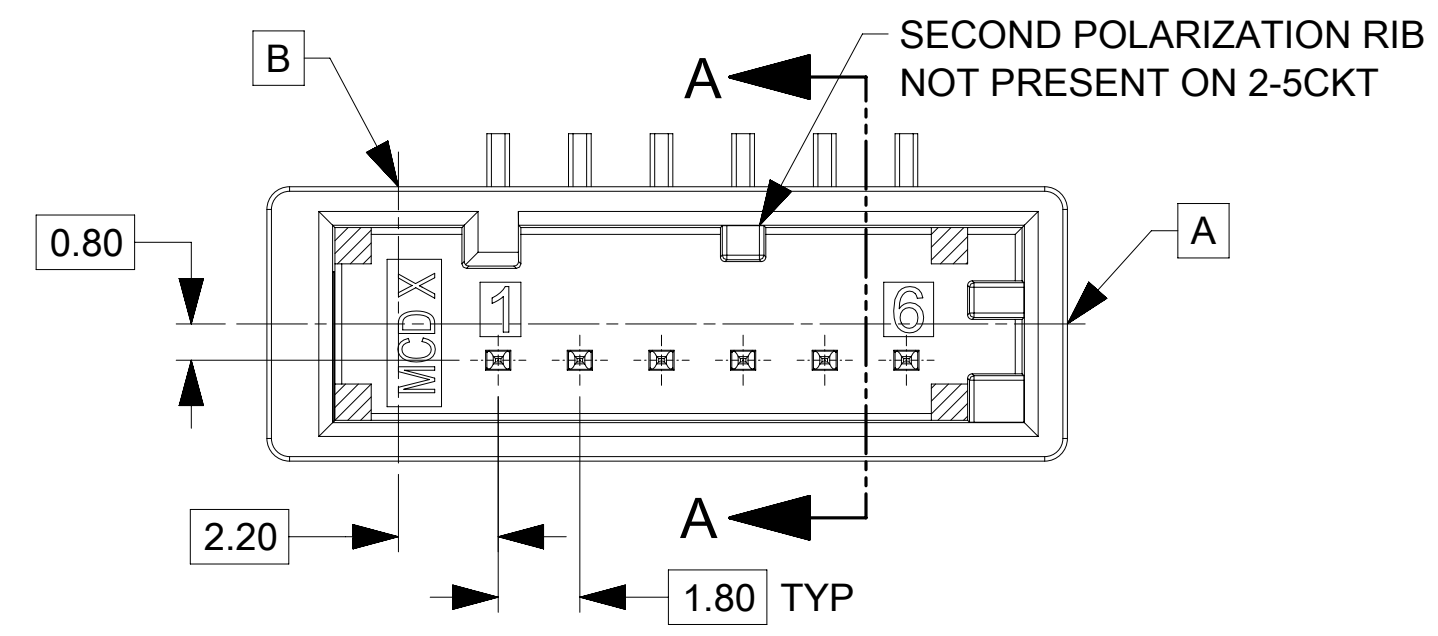
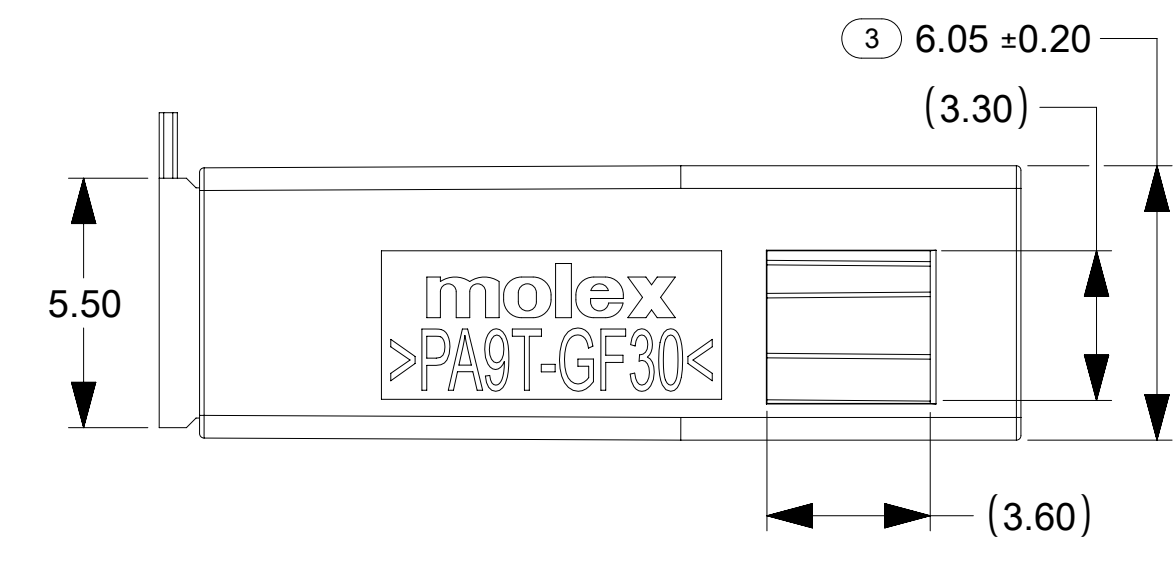
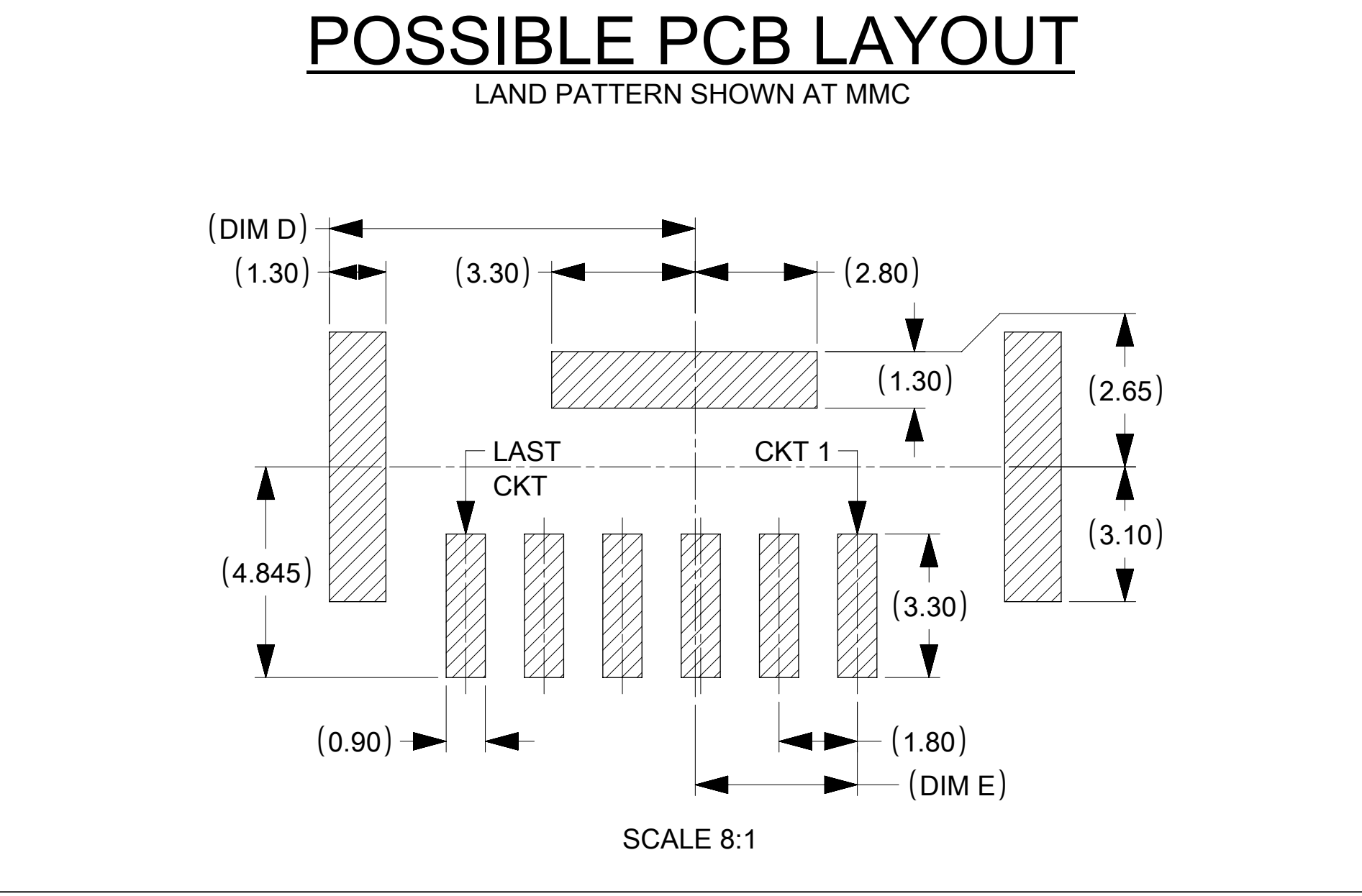
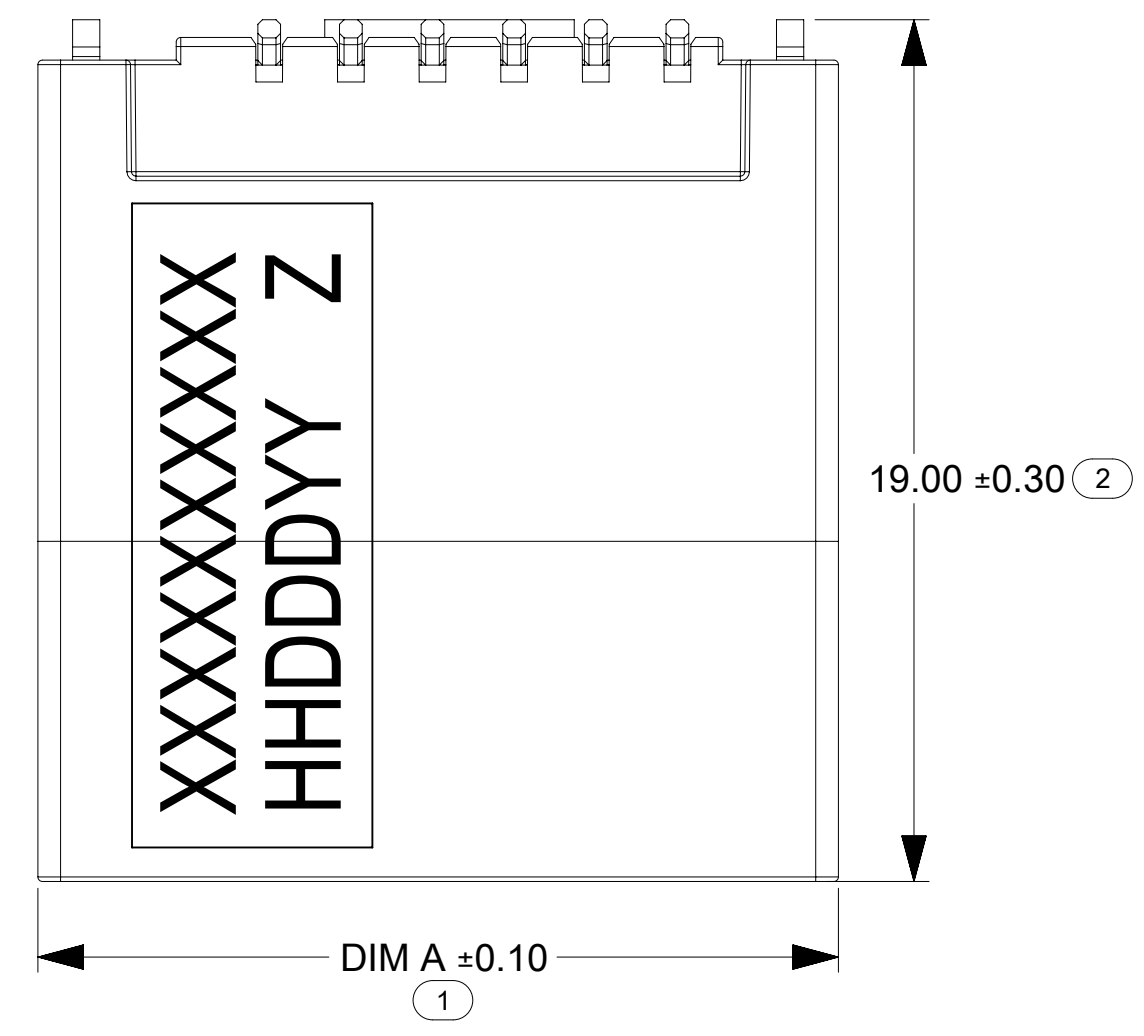
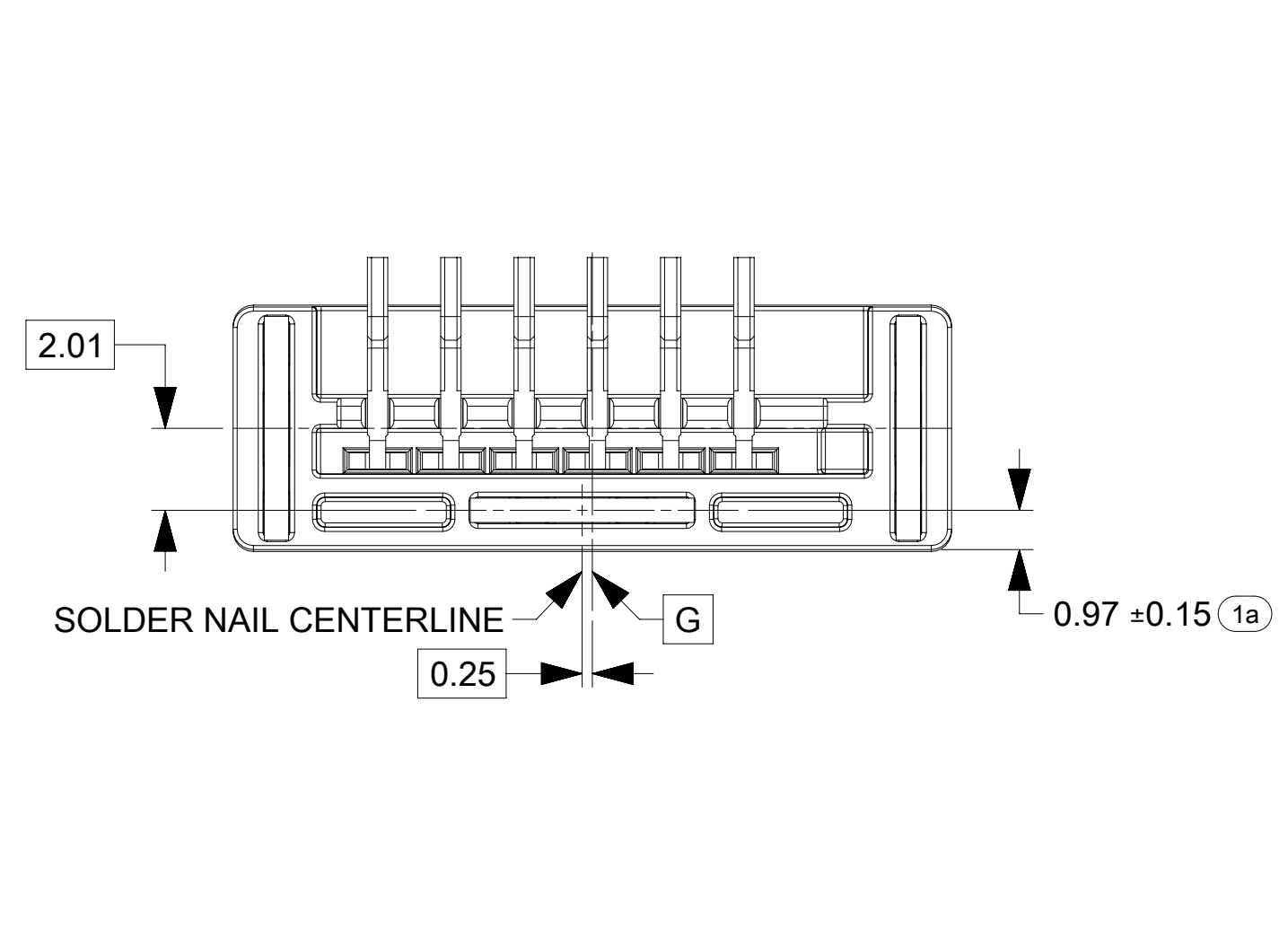
| INTERFACE | INTERFACE CKT SIZE | DIM A | DIM B | DIM C | DIM D | DIM E | KEY | COLOR | STANDARD PERFORMANCE VERTICAL V0 SMT HEADER | | TOOLING STATUS |
|-----------|--------------------|-------|-------|-------|-------|-------|-----|---------|---|-----------------------|--------------------------|
| | | | | | | | | | NO TAPE PART NUMBER | WITH TAPE PART NUMBER | |
| | 2 | 10.45 | 0.125 | 4.16 | 4.81 | 0.125 | A | BLACK | 2080352021 | 2080353021 | AVAILABLE |
| | | | | | | | B | NATURAL | 2080352022 | 2080353022 | |
| | | | | | | | C | BLUE | 2080352023 | 2080353023 | |
| | | | | | | | D | VIOLET | 2080352024 | 2080353024 | |
| | 3 | 12.25 | 1.025 | 5.06 | 5.71 | 1.025 | A | BLACK | 2080352031 | 2080353031 | AVAILABLE |
| | | | | | | | B | NATURAL | 2080352032 | 2080353032 | |
| | | | | | | | C | BLUE | 2080352033 | 2080353033 | |
| | | | | | | | D | VIOLET | 2080352034 | 2080353034 | |
| | 4 | 14.05 | 1.925 | 5.96 | 6.61 | 1.925 | A | BLACK | 2080352041 | 2080353041 | AVAILABLE |
| | | | | | | | B | NATURAL | 2080352042 | 2080353042 | |
| | | | | | | | C | BLUE | 2080352043 | 2080353043 | |
| | | | | | | | D | VIOLET | 2080352044 | 2080353044 | |
| | 5 | 15.85 | 2.825 | 6.86 | 7.51 | 2.825 | A | BLACK | 2080352051 | 2080353051 | AVAILABLE |
| | | | | | | | B | NATURAL | 2080352052 | 2080353052 | |
| | | | | | | | C | BLUE | 2080352053 | 2080353053 | |
| | | | | | | | D | VIOLET | 2080352054 | 2080353054 | |
| | 6 | 17.65 | 3.725 | 7.76 | 8.41 | 3.725 | A | BLACK | 2080352061 | 2080353061 | AVAILABLE |
| | | | | | | | B | NATURAL | 2080352062 | 2080353062 | |
| | | | | | | | C | BLUE | 2080352063 | 2080353063 | |
| | | | | | | | D | VIOLET | 2080352064 | 2080353064 | |
| | 7 | 19.45 | 4.625 | 8.66 | 9.31 | 4.625 | A | BLACK | 2080352071 | 2080353071 | INQUIRE FOR AVAILABILITY |
| | | | | | | | B | NATURAL | 2080352072 | 2080353072 | |
| | | | | | | | C | BLUE | 2080352073 | 2080353073 | |
| | | | | | | | D | VIOLET | 2080352074 | 2080353074 | |
| | 8 | 21.25 | 5.525 | 9.56 | 10.21 | 5.525 | A | BLACK | 2080352081 | 2080353081 | INQUIRE FOR AVAILABILITY |
| | | | | | | | B | NATURAL | 2080352082 | 2080353082 | |
| | | | | | | | C | BLUE | 2080352083 | 2080353083 | |
| | | | | | | | D | VIOLET | 2080352084 | 2080353084 | |
| | 9 | 23.05 | 6.425 | 10.46 | 11.11 | 6.425 | A | BLACK | 2080352091 | 2080353091 | INQUIRE FOR AVAILABILITY |
| | | | | | | | B | NATURAL | 2080352092 | 2080353092 | |
| | | | | | | | C | BLUE | 2080352093 | 2080353093 | |
| | | | | | | | D | VIOLET | 2080352094 | 2080353094 | |
| | 10 | 24.85 | 7.325 | 11.36 | 12.01 | 7.325 | A | BLACK | 2080352101 | 2080353101 | INQUIRE FOR AVAILABILITY |
| | | | | | | | B | NATURAL | 2080352102 | 2080353102 | |
| | | | | | | | C | BLUE | 2080352103 | 2080353103 | |
| | | | | | | | D | VIOLET | 2080352104 | 2080353104 | |
| | 11 | 26.65 | 8.225 | 12.26 | 12.91 | 8.225 | A | BLACK | 2080352111 | 2080353111 | INQUIRE FOR AVAILABILITY |
| | | | | | | | B | NATURAL | 2080352112 | 2080353112 | |
| | | | | | | | C | BLUE | 2080352113 | 2080353113 | |
| | | | | | | | D | VIOLET | 2080352114 | 2080353114 | |

PERFORMANCE MARK: S

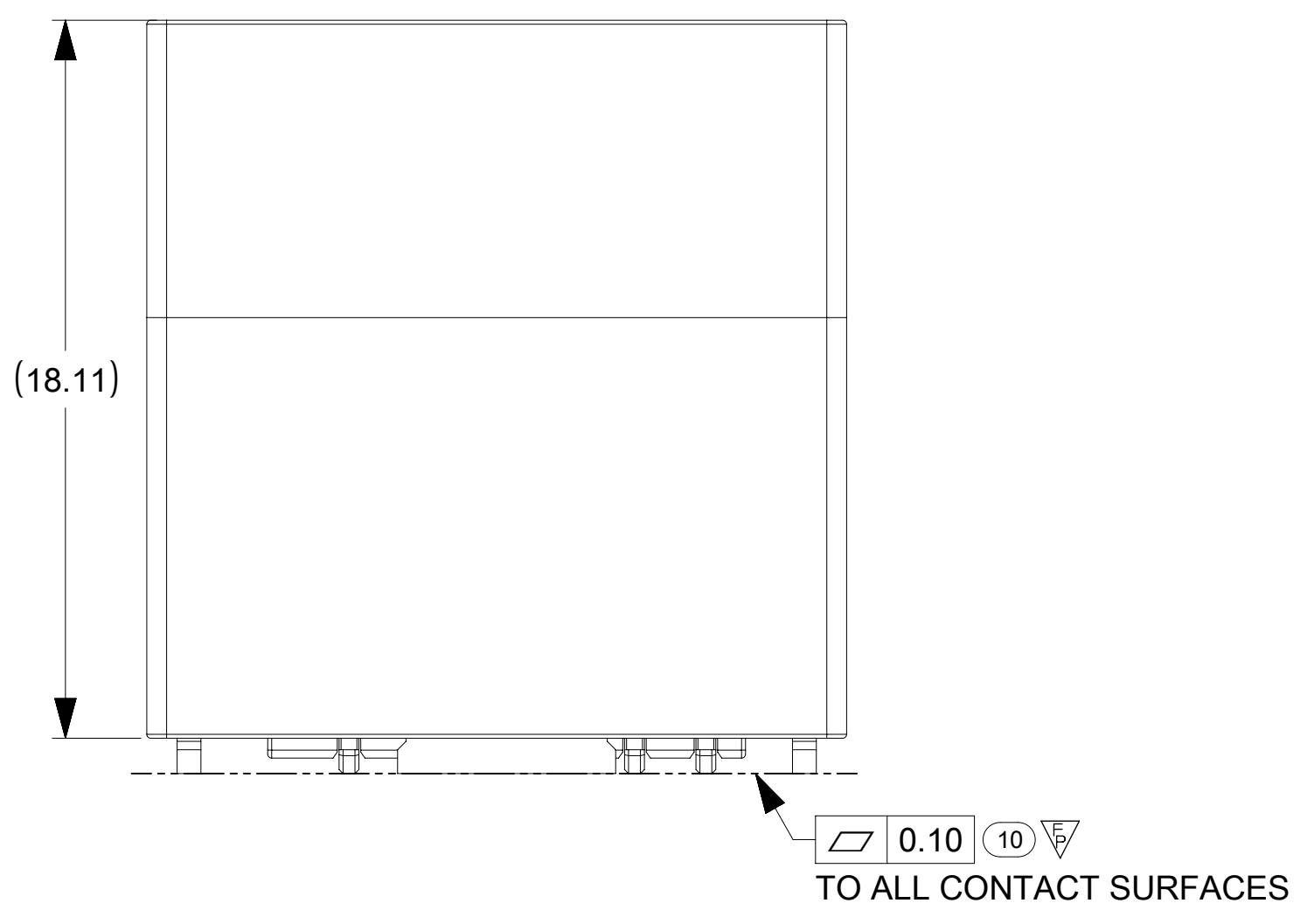
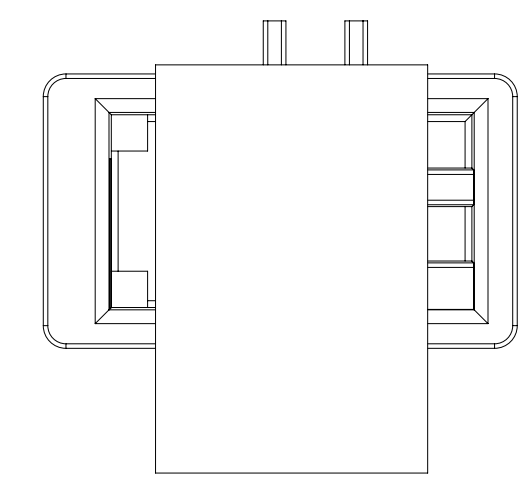
| | |
|-----|--|
| B5 | UPDATE: VIEWS FOR SWITCH TO PICKUP TAPE FROM CAP; POL B COLOR FROM GREY TO NATURAL |
| B4 | NO CHANGE TO SALES DRAWING, CHANGED ENGINEERING AND ASSEMBLY DRAWING |
| B3 | UPDATED TOLERANCE ON DIM 3 FROM 0.10 TO 0.20MM |
| B2 | CHANGED CLEANBODY SERIES NUMBER IN THE TABLE |
| B1 | ADDED DIM 1a |
| B | REMOVED DATUMS D, E, & F; ADDED DATUM G; UPDATED PCB LAYOUT; REMOVED HIGH PERFORMANCE PART NUMBERS; ADDED "NO CAP" PART NUMBERS; UPDATED STANDARD PERFORMANCE PLATING; RENUMBERED DIMENSIONS |
| A3 | UPDATED TOLERANCE ON DIMS 1 & 5 FROM 0.20 TO 0.25MM; UPDATED DIM A; ADDED DIM 8 |
| A2 | UPDATED DIM B (LATCH AREA WALL THICKNESS INCREASED BY 0.5MM), C, D & E |
| A1 | ADDED NOTE TO PCB LAYOUT |
| REV | DESCRIPTION |

| | | | | | |
|---|--|---------------------------------------|-----------|---|--|
| INSPECTION BALLOON LOG | | CURRENT REV DESC: | | | |
| PER DRAWING REVISION: B5 | | GENERAL TOLERANCES (UNLESS SPECIFIED) | | | |
| LAST BALLOON USED: 10 | | mm | SCALE 5:1 | EC NO: 672688 DRWN: KHEWITT 2021/05/13 CHK'D: VBALASUBRAMA 2021/08/09 APPR: JDUNAJ 2021/08/09 INITIAL REVISION: DRWN: VBALASUBRAMA 2018/11/29 APPR: JDUNAJ 2019/04/15 | |
| ADDED BALLOON NUMBERS: 1a | | ANGULAR TOL ± ° | | | |
| REMOVED BALLOON NUMBERS: | | 4 PLACES ± 0.0 | | | |
| THIS DRAWING CONTAINS INFORMATION THAT IS PROPRIETARY TO MOLEX ELECTRONIC TECHNOLOGIES, LLC AND SHOULD NOT BE USED WITHOUT WRITTEN PERMISSION | | 3 PLACES ± 0.0 | | | |
| DIMENSION UNITS | | 2 PLACES ± 0.0 | | | |
| SCALE | | 1 PLACE ± 0.0 | | | |
| mm | | 0 PLACES ± 0.0 | | DOCUMENT NUMBER: 2080350003 DOC TYPE: PSD DOC PART: 000 REVISION: B5 | |
| DRAFT WHERE APPLICABLE MUST REMAIN WITHIN DIMENSIONS | | THIRD ANGLE PROJECTION | | PRODUCT CUSTOMER DRAWING MATERIAL NUMBER: SEE TABLE CUSTOMER: GENERAL MARKET SHEET NUMBER: 1 OF 2 | |

6CKT KEY A (2080353061) SHOWN EXCEPT WHERE NOTED
 REFER TO 2046310001 FOR INTERFACE DIMENSIONS



2CKT WITH TAPE SHOWN FOR REFERENCE



KEYING OPTIONS

| KEY A (BLACK) | KEY B (NATURAL) | KEY C (BLUE) | KEY D (VIOLET) |
|------------------|--------------------|-----------------|-------------------|
| | | | |

THIS DRAWING CONTAINS INFORMATION THAT IS PROPRIETARY TO MOLEX ELECTRONIC TECHNOLOGIES, LLC AND SHOULD NOT BE USED WITHOUT WRITTEN PERMISSION

| | | | | | | |
|--|---------------------|--------------------------------|---------------------------------------|----------------|----------|-------------------------------------|
| DIMENSION UNITS mm | SCALE 6:1 | CURRENT REV DESC: | molex | | | |
| GENERAL TOLERANCES (UNLESS SPECIFIED) | | EC NO: 672688 | | | | CONNTAK50 SR VERT HDR SALES DRAWING |
| ANGULAR TOL ± ° | | DRWN: KHEWITT 2021/05/13 | PRODUCT CUSTOMER DRAWING | | | |
| 4 PLACES ± 0.0 | | CHK'D: VBALASUBRAMA 2021/08/09 | DOCUMENT NUMBER | DOC TYPE | DOC PART | REVISION |
| 3 PLACES ± 0.0 | | APPR: JDUNAJ 2021/08/09 | 2080350003 | PSD | 000 | B5 |
| 2 PLACES ± 0.0 | | INITIAL REVISION: | MATERIAL NUMBER CUSTOMER SHEET NUMBER | | | |
| 1 PLACE ± 0.0 | | DRWN: VBALASUBRAMA 2018/11/29 | SEE TABLE | GENERAL MARKET | 2 OF 2 | |
| 0 PLACES ± 0.0 | | APPR: JDUNAJ 2019/04/15 | | | | |
| DRAFT WHERE APPLICABLE MUST REMAIN WITHIN DIMENSIONS | | THIRD ANGLE PROJECTION | DRAWING | SERIES | | |
| | | | D-SIZE | 208035 | | |