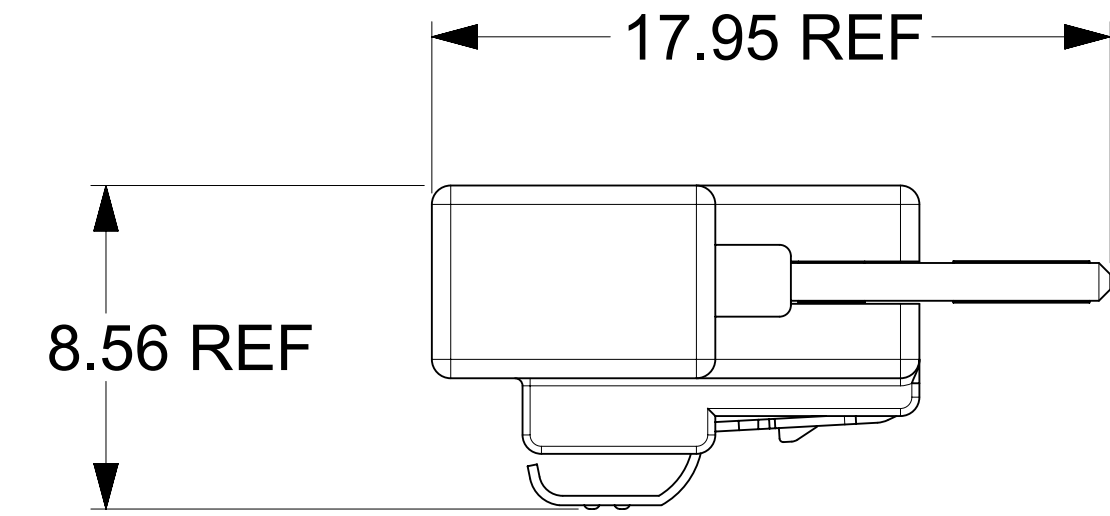
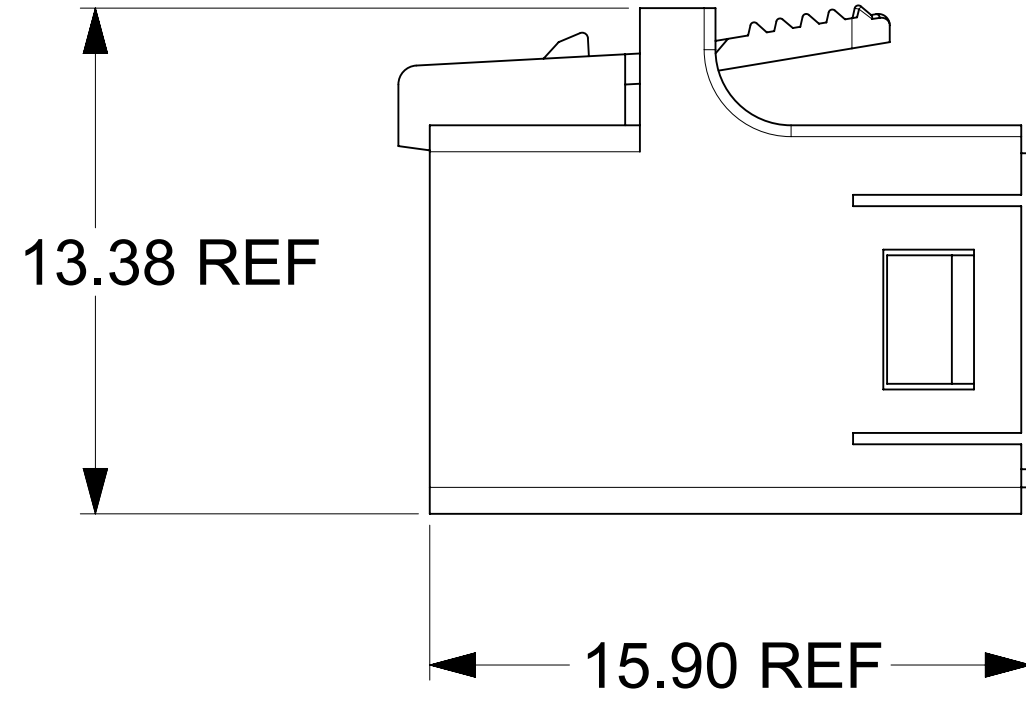
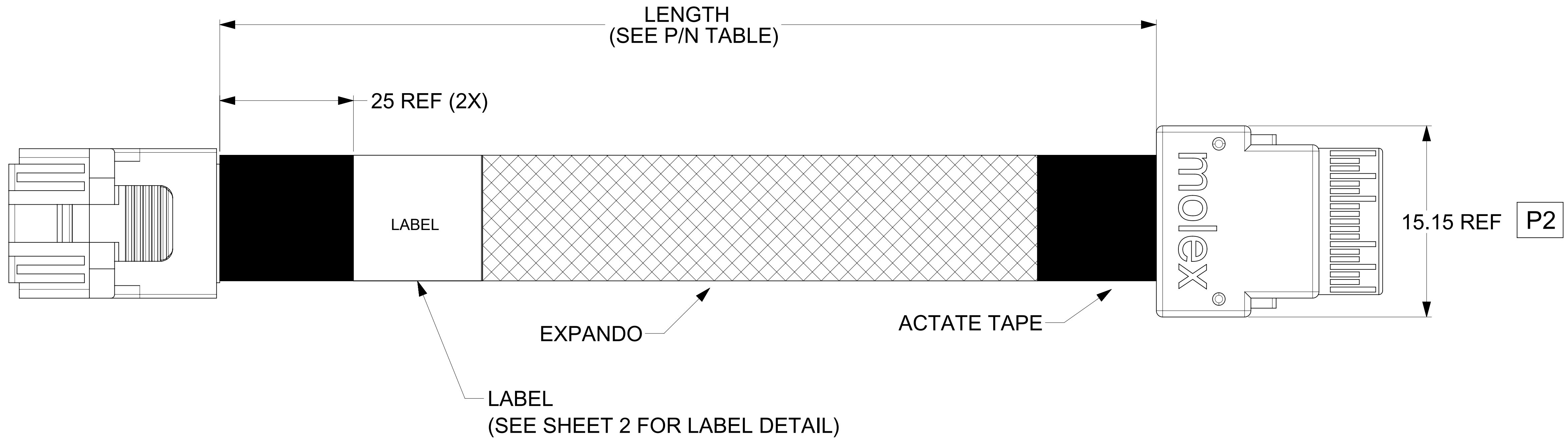


P1



MOLEX P/N	LENGTH	TOLERANCE (mm)	AWG	IMPEDANCE	EE SPEC
2073681102	810mm	±10	32	100 OHMS	SAS 3.0

- NOTES:
- MATERIAL:
 - HOUSING - MINISAS HD: 30% GLASS FILLED NYLON, UL94-V0
 - SLIMSAS: PC 94V-0 BLACK
 - LATCH - MINISAS HD: MOLDED INTO HOUSING
 - SLIMSAS: STAINLESS STEEL
 - EXPANDO - PET
 - CABLE - TWIN-AX SHIELD: ALUMNINIZED POLYESTER FOIL
 - SIGNAL PAIR : SILVER-COATED COPPER
 - DRAIN: TIN-COATED COPPER
 - CONFORMS TO VW1
 - PCB - FR4 (HALOGEN FREE)
 - THIS PRODUCT CONFORMS TO THE MECHANICAL DIMENSIONING OF SFF-8654 AND SFF-8643
 - RoHS COMPLIANT. NO EXEMPTIONS

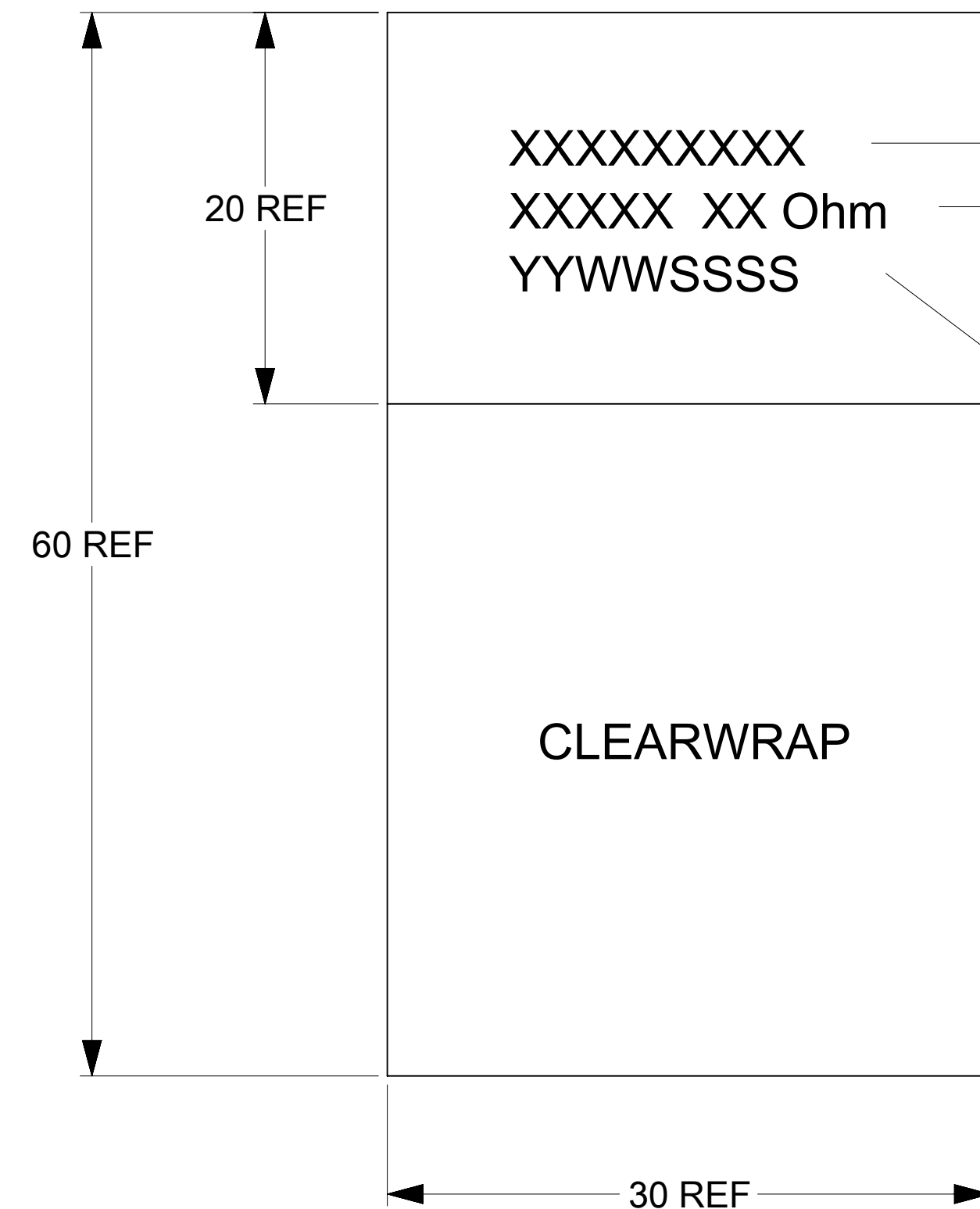
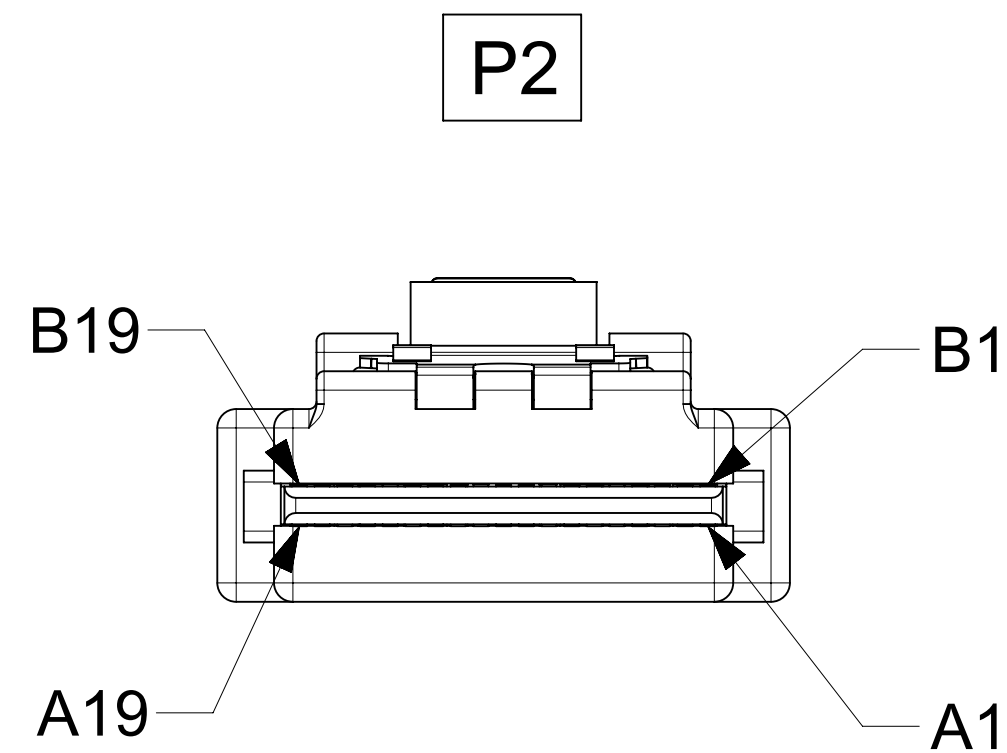
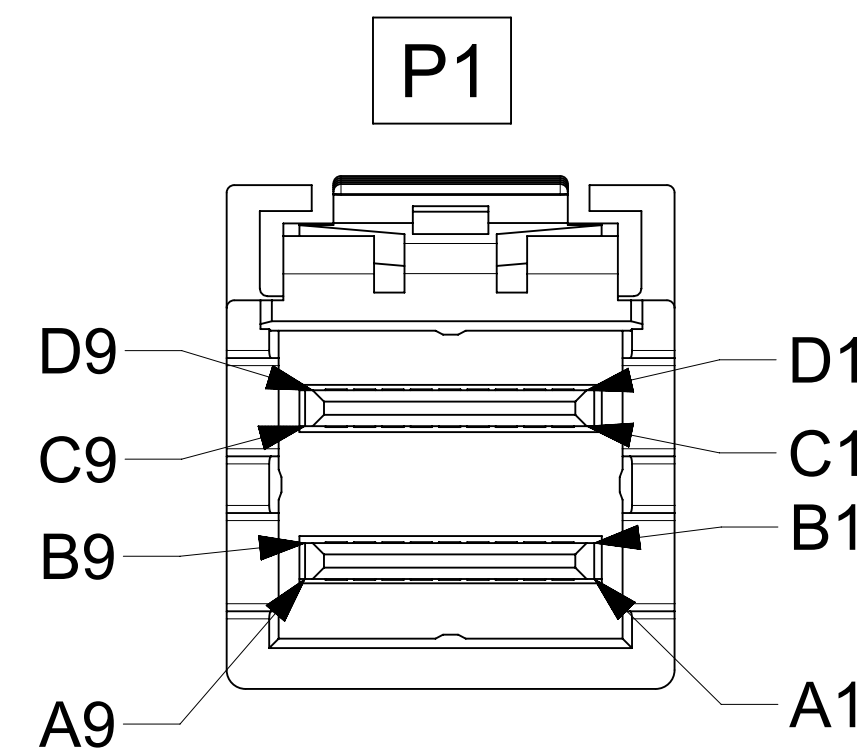
FUNCTIONAL SYMBOLS $\nabla_A = 0$ $\nabla_C = 0$ $\nabla_P = 0$ DIVISIONAL SYMBOLS	THIS DRAWING CONTAINS INFORMATION THAT IS PROPRIETARY TO MOLEX ELECTRONIC TECHNOLOGIES, LLC AND SHOULD NOT BE USED WITHOUT WRITTEN PERMISSION		CURRENT REV DESC:		
	DIMENSION UNITS	SCALE	EC NO: 651563		
	mm	5:1	DRWN: SHOU 2020/12/16		
	GENERAL TOLERANCES (UNLESS SPECIFIED)		CHK'D: VPENG01 2020/12/16		
ANGULAR TOL ± 3.0°		APPR: VPENG01 2020/12/16		PRODUCT CUSTOMER DRAWING	
4 PLACES ±		INITIAL REVISION:		DOCUMENT NUMBER	
3 PLACES ± 0.2		DRWN: YYEH 2019/08/30		2073681102	
2 PLACES ± 0.3		APPR: VPENG01 2020/12/16		PSD 000 A	
1 PLACE ± 0.4		DRAFT WHERE APPLICABLE MUST REMAIN WITHIN DIMENSIONS		SHEET NUMBER	
0 PLACES ±		THIRD ANGLE PROJECTION		1 OF 3	
		DRAWING		MATERIAL NUMBER	
		D-SIZE		SEE P/N TABLE	
		SERIES		CUSTOMER	
		207368			

PINOUT DIAGRAM

P1		SIGNAL TYPE	P2	
GND	B3	—	B1	GND
RX0+	B4	<—	B2	TX0+
RX0-	B5	<—	B3	TX0-
GND	B6/A3	—	B4	GND
RX1+	A4	<—	B5	TX1+
RX1-	A5	<—	B6	TX1-
GND	A6	—	B7	GND
SB	A1	<—>	B8	SB
SB	B1	<—>	B9	SB
SB			B10	SB
SB	C1	<—>	B11	SB
SB	D1	<—>	B12	SB
GND	B6	—	B13	GND
RX2+	B7	<—	B14	TX2+
RX2-	B8	<—	B15	TX2-
GND	B9/A6	—	B16	GND
RX3+	A7	<—	B17	TX3+
RX3-	A8	<—	B18	TX3-
GND	A9	—	B19	GND
GND	D3	—	A1	GND
TX0+	D4	—>	A2	RX0+
TX0-	D5	—>	A3	RX0-
GND	D6/C3	—	A4	GND
TX1+	C4	—>	A5	RX1+
TX1-	C5	—>	A6	RX1-
GND	C6	—	A7	GND
SB	A2	<—>	A8	SB
SB	B2	<—>	A9	SB
SB			A10	SB
SB	C2	<—>	A11	SB
SB	D2	<—>	A12	SB
GND	D6	—	A13	GND
TX2+	D7	—>	A14	RX2+
TX2-	D8	—>	A15	RX2-
GND	D9/C6	—	A16	GND
TX3+	C7	—>	A17	RX3+
TX3-	C8	—>	A18	RX3-
GND	C9	—	A19	GND

—> = TRANSMIT TO RECEIVE ON HIGH SPEED CIRCUITS
 — = GND
 <—> = SIDEBAND
 NOTE: ALL SIGNAL GROUND ARE BUSSED IN PCB.

LABEL DETAIL



XXXXXXXXXX — MOLEX P/N
 XXXXX XX Ohm — EE SPEC IMPEDANCE
 (SEE "LABEL CONTEXT" ON P/N TABLE)
 YY - LAST TWO DIGITS OF THE YEAR
 WW - WEEK OF THE YEAR
 SSSS - PRODUCTION BATCH OF THE WEEK
 FONT: ARIAL
 HEIGHT: 2mm Min.

FUNCTIONAL SYMBOLS $\nabla_A = 0$ $\nabla_C = 0$ $\nabla_P = 0$	DIMENSION UNITS: mm SCALE: 1:1	CURRENT REV DESC:					
	GENERAL TOLERANCES (UNLESS SPECIFIED)		EC NO: 651563 DRWN: SHOU 2020/12/16				
	ANGULAR TOL $\pm 3.0^\circ$		CHK'D: VPENG01 2020/12/16 APPR: VPENG01 2020/12/16				
	DIVISIONAL SYMBOLS 4 PLACES \pm 3 PLACES ± 0.2 2 PLACES ± 0.3 1 PLACE ± 0.4 0 PLACES \pm		INITIAL REVISION: DRWN: YYEH 2019/08/30 APPR: VPENG01 2020/12/16				
DRAFT WHERE APPLICABLE MUST REMAIN WITHIN DIMENSIONS		THIRD ANGLE PROJECTION	DRAWING: D-SIZE	SERIES: 207368	MATERIAL NUMBER: SEE P/N TABLE	CUSTOMER:	SHEET NUMBER: 2 OF 3

DOCUMENT STATUS: P1	RELEASE DATE: 2020/12/16	10:52:59
---------------------	--------------------------	----------

DOCUMENT NUMBER: 2073681102	DOC TYPE: PSD	DOC PART: 000	REVISION: A
-----------------------------	---------------	---------------	-------------

REVISION HISTORY		
DATE	REV	DESCRIPTION
2019/08/15	1	INITIAL RELEASE
2019/09/19	2	SHEET 1: CHANGE THE AWG FROM 34 TO 32 ON P/N TABLE
2019/09/27	3	SHEET 2: UPDATED THE PIN OUT
2020/12/16	4	SHEET 1: UPDATE NOTE

FUNCTIONAL SYMBOLS FA = 0 FC = 0 FP = 0	THIS DRAWING CONTAINS INFORMATION THAT IS PROPRIETARY TO MOLEX ELECTRONIC TECHNOLOGIES, LLC AND SHOULD NOT BE USED WITHOUT WRITTEN PERMISSION	DIMENSION UNITS: mm SCALE: 1:1	CURRENT REV DESC:	 4X SLIMSAS STR TO 4X HD STR
	GENERAL TOLERANCES (UNLESS SPECIFIED) ANGULAR TOL ± 3.0° 4 PLACES ± 3 PLACES ± 0.2 2 PLACES ± 0.3 1 PLACE ± 0.4 0 PLACES ±	EC NO: 651563 DRWN: SHOU 2020/12/16 CHK'D: VPENG01 2020/12/16 APPR: VPENG01 2020/12/16	INITIAL REVISION: DRWN: YYEH 2019/08/30 APPR: VPENG01 2020/12/16	
DIVISIONAL SYMBOLS	DRAFT WHERE APPLICABLE MUST REMAIN WITHIN DIMENSIONS	THIRD ANGLE PROJECTION	DRAWING: D-SIZE SERIES: 207368	DOCUMENT NUMBER: 2073681102 DOC TYPE: PSD DOC PART: 000 REVISION: A
DOCUMENT STATUS P1 RELEASE DATE 2020/12/16 10:52:59	MATERIAL NUMBER: SEE P/N TABLE CUSTOMER:	SHEET NUMBER: 3 OF 3		