

CUSTOMER PRINT

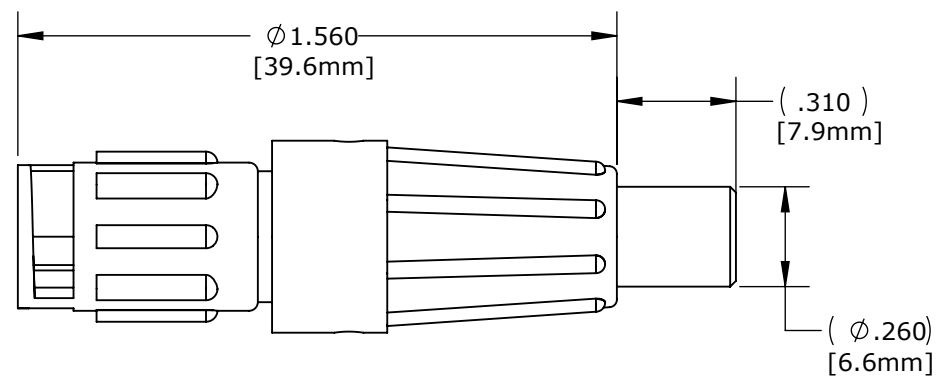
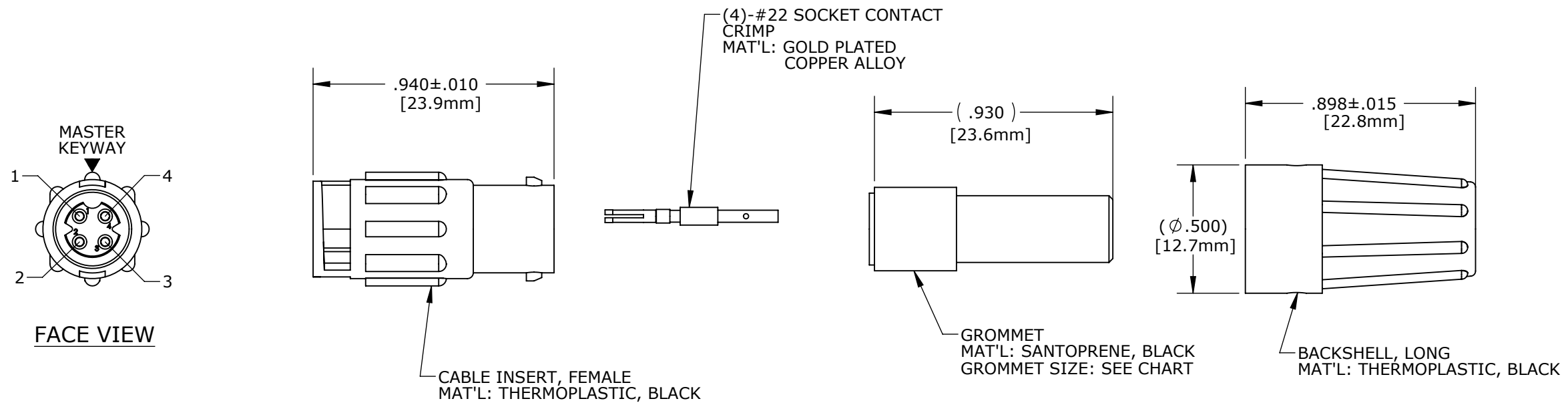
PART NUMBER: 18880-4SG-5XX

NOTES:

1. PARTS ARE TO BE BULK PACKED.
2. PARENTHESIS () INDICATE REFERENCE DIMENSION.
3. BRACKETS [] INDICATE METRIC DIMENSIONS.

ASS'Y P/N	CABLE O.D.
18880-4SG-518	0.175 - 0.185 [4.4-4.7]
18880-4SG-521	0.205 - 0.215 [5.2-5.5]
18880-4SG-522	0.215 - 0.225 [5.5-5.7]

GROMMET SIZE



ASSEMBLED KIT VIEW
FOR CUSTOMER REFERENCE ONLY

CUSTOMER APPROVAL

THIS DOCUMENT CONTAINS CONFIDENTIAL INFORMATION PROPRIETARY TO CONXALL CORPORATION. ANY REPRODUCTION, DISCLOSURE, OR USE OF THIS DOCUMENT /INFORMATION IS EXPRESSLY PROHIBITED UNLESS AUTHORIZED IN WRITING BY CONXALL CORPORATION.

APPROVED BY: _____

DATE: _____

RoHS COMPLIANT

REV.	INIT.	DATE	DESCRIPTION
B	AN	01-15-14	DRAWING NO. WAS 18880-4SG-XXX, REMOVED SHORT BACKSHELL ASSEMBLIES, ADDED TOLERANCES AND MATERIALS. PER ECR 8074
		08/09/10	CHANGED CONTACT CRIMP BARREL FROM 20AWG TO 22AWG
A	PAK	04/01/10	DRAWING CREATED PER DOR 06-E168CS

ALL INFORMATION ILLUSTRATED IS THE PROPERTY OF "CONXALL CORPORATION." UNAUTHORIZED DUPLICATION OR DISTRIBUTION OF THIS DOCUMENT IS PROHIBITED.		ORIG. DRAWN BY: PAK DATE: 03/24/10	601 E. WILDWOOD VILLA PARK, IL 60181
ALL UNITS ARE IN FEET, INCHES, FRACTION OF INCHES AND DECIMALS.		CHECKED BY:	
SCALE: NTS	SIZE: B	SHEET: 1 OF 1	TITLE: IN-LINE CONNECTOR KIT (4) #22 SOCKET CONTACT, CRIMP MICRO-CON-X STANDARD PRODUCT
FILE: 18880-4SG-5XX	DIRECTORY: SLW	PART NUMBER: 18880-4SG-5XX	REV: B