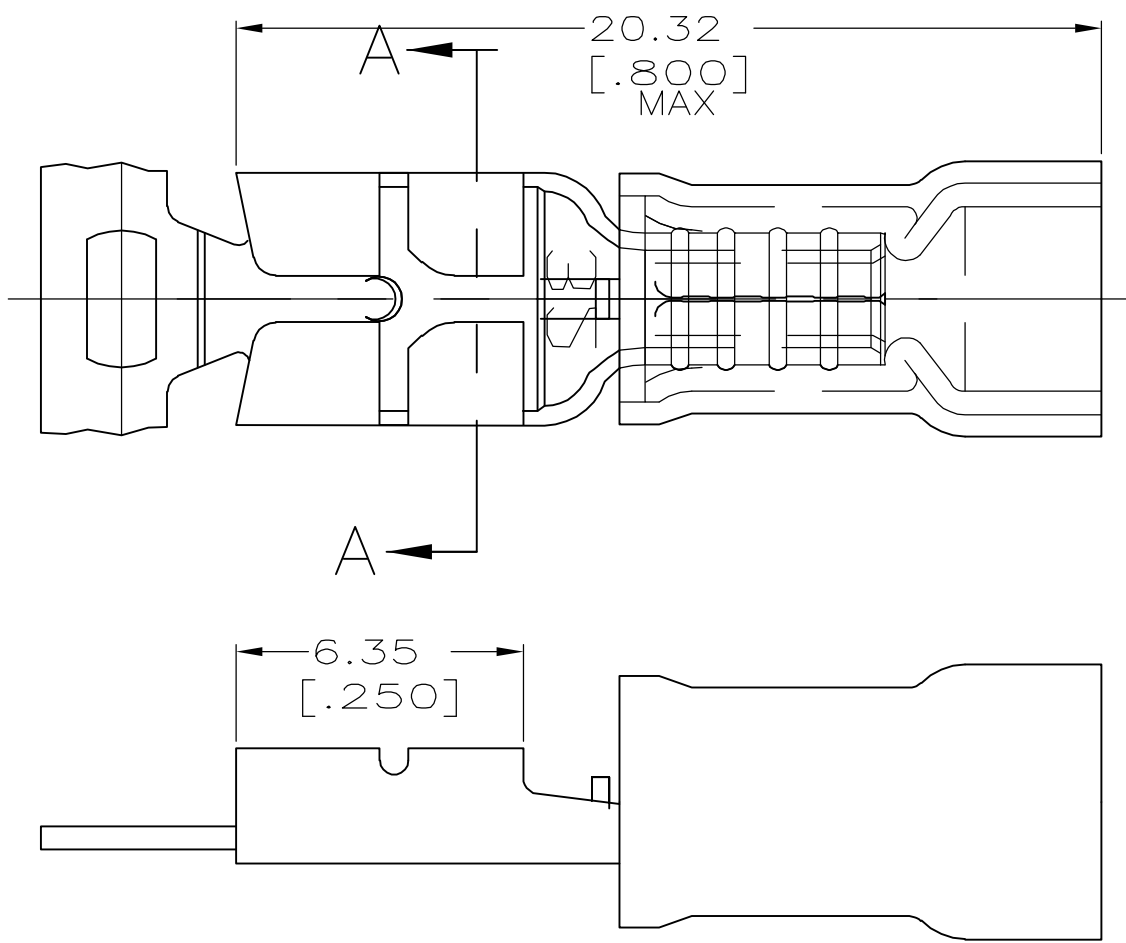


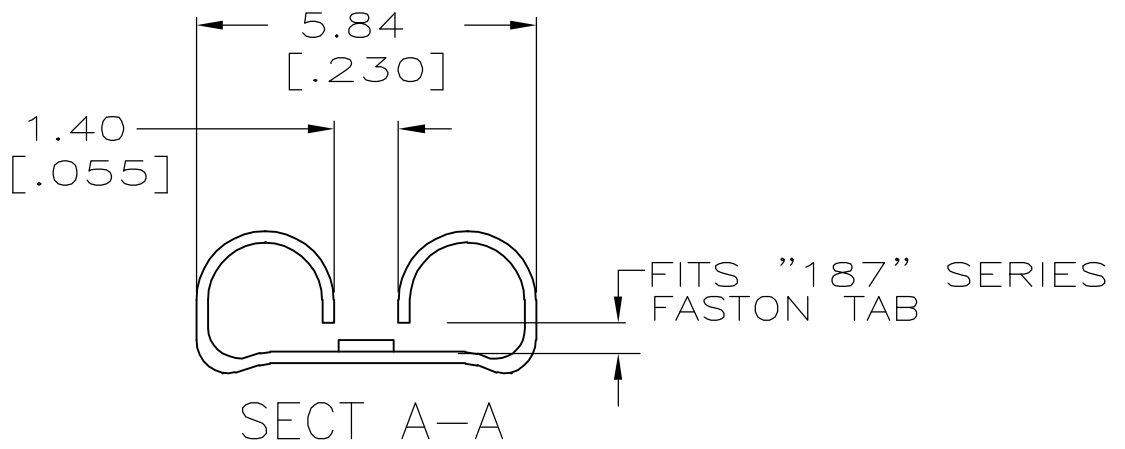
THIS DRAWING IS UNPUBLISHED. RELEASED FOR PUBLICATION  
 © COPYRIGHT BY TYCO ELECTRONICS CORPORATION. ALL RIGHTS RESERVED.

LOC	DIST	REVISIONS					
G	14	P	LTR	DESCRIPTION	DATE	DWN	APVD
			D1	REV PER ECR 06-001686	20JAN06	JR	TM

**AMP**  
 WIRE SIZE  
 22-18 AWG  
 STRANDED



- 1. INSULATION DIA 3.43 [.135] MAX
- 2. FITS TAB 0.81 [.032] THK
- 3 EASIER INSERTION
- 4 PRELIMINARY - NOT FOR PRODUCTION



QTY	SLEEVE MATL./COLOR	PACKAGE TYPE	PART NO
3500	NYLON, RED	ON STRIP, REEL	4 1-184267-1
3500	PVC, BLACK	ON STRIP, REEL	4 2-184267-1
3500	NYLON, RED	ON STRIP, REEL	184267-1

THIS DRAWING IS A CONTROLLED DOCUMENT.		DWN L OLMEDA 29MAY96	Tyco Electronics Corporation Harrisburg, PA 17105-3608	
DIMENSIONS: mm		CHK M ELLIS 29MAY96		
TOLERANCES UNLESS OTHERWISE SPECIFIED:		APVD B BARE 29MAY96	NAME RECEPTACLE, .187 SERIES, LOW INSERTION FORCE, FASTON, PIDG WIRE SIZE: 22-18 AWG	
0 PLC ± - 1 PLC ± - 2 PLC ± 0.38 [.015] 3 PLC ± - 4 PLC ± - ANGLES ± -		PRODUCT SPEC -	SIZE A3	CAGE CODE 00779
MATERIAL BODY, BRASS .016		FINISH BODY, TIN	DRAWING NO C-184267	RESTRICTED TO -
CUSTOMER DRAWING			SCALE 1:1	SHEET 1 of 1
			REV D1	