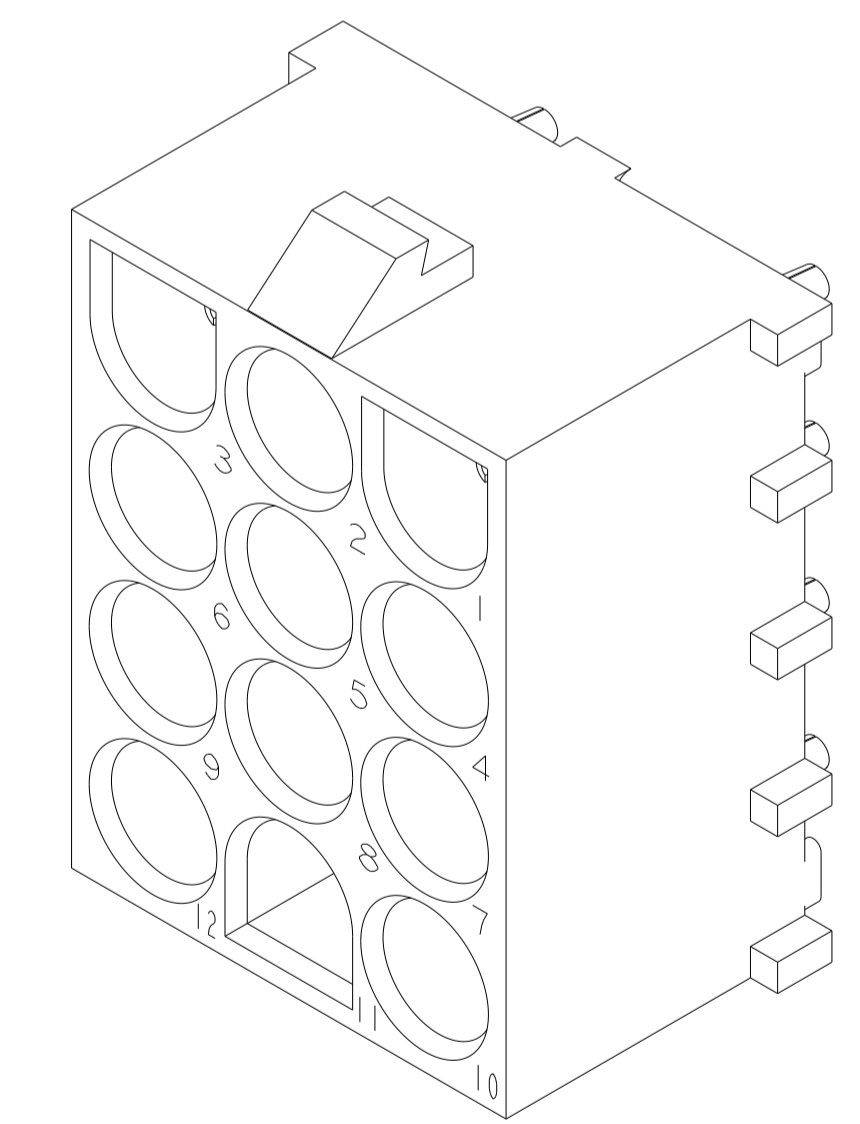
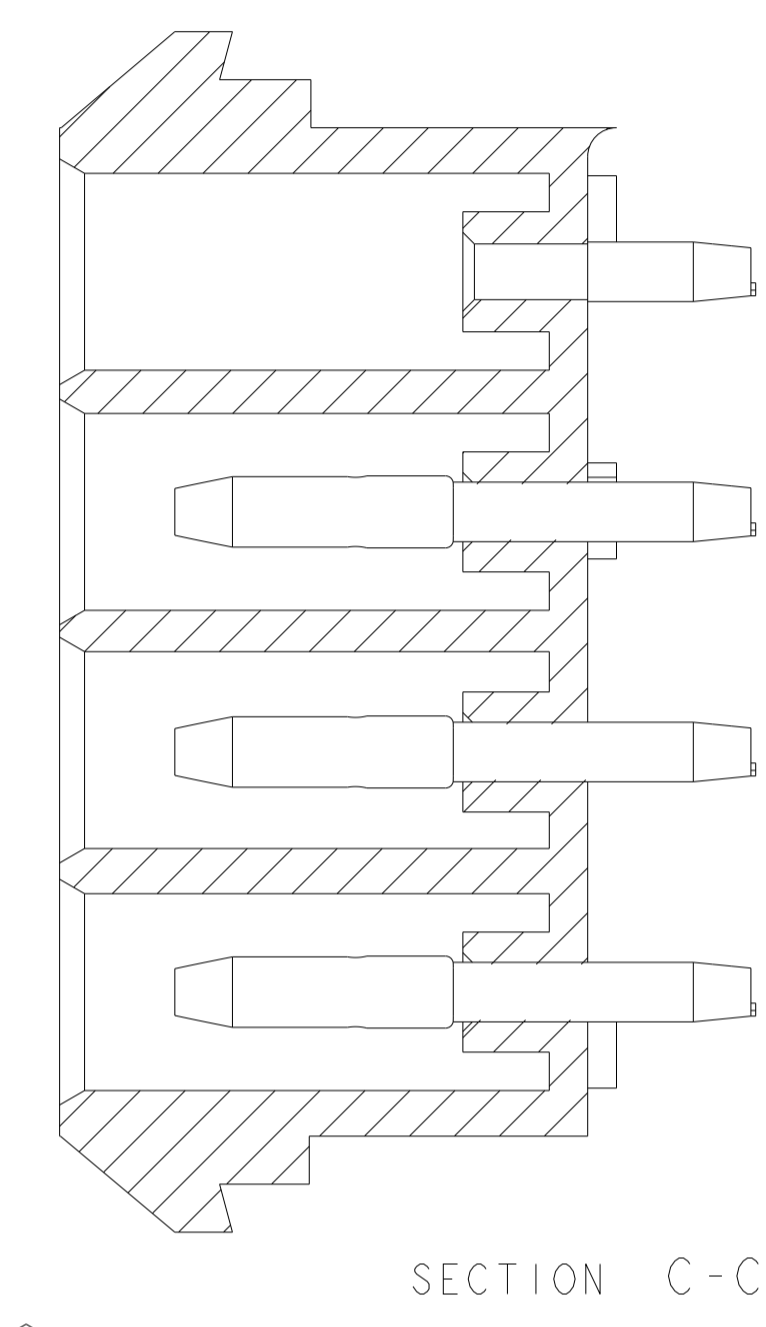
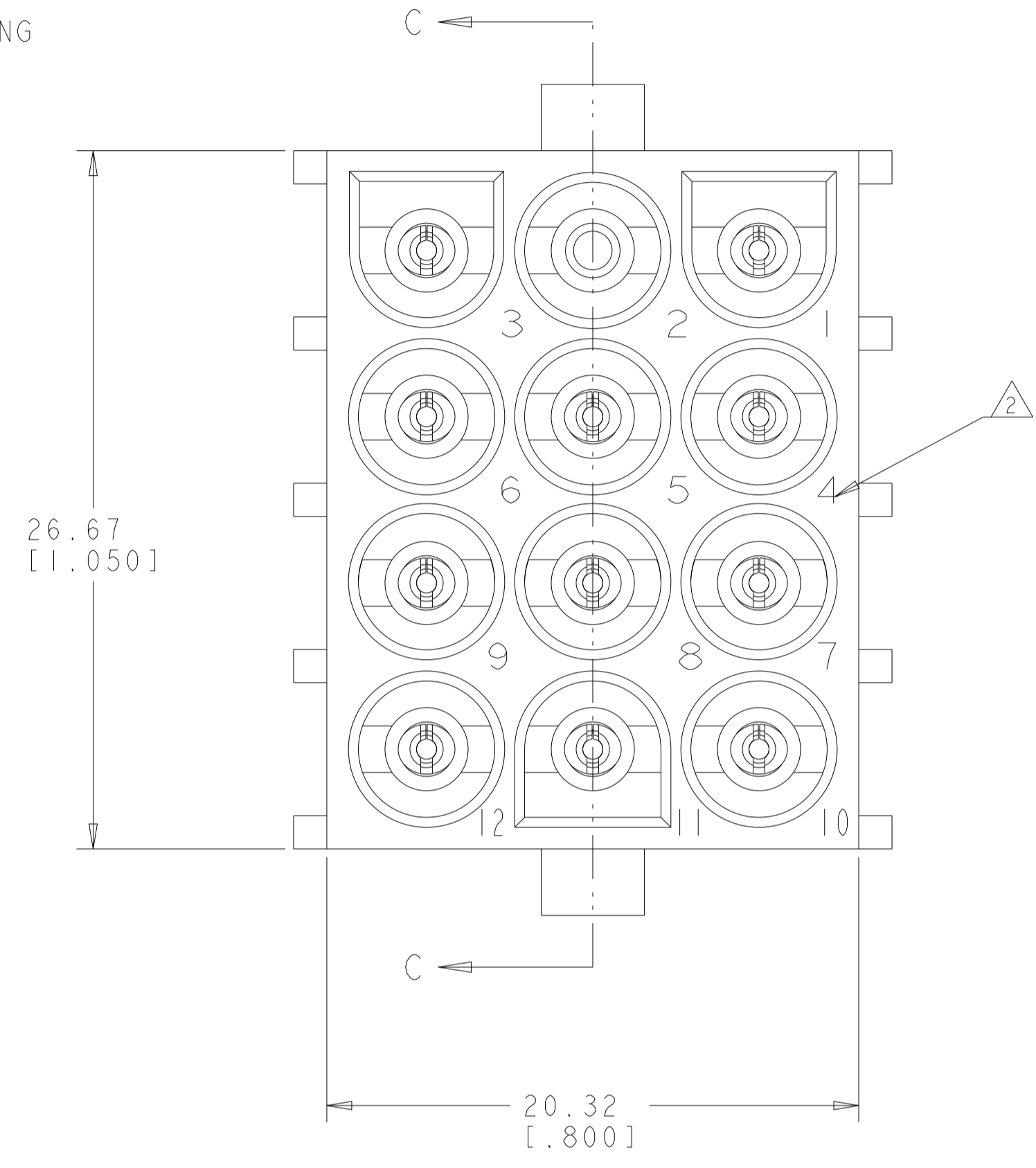
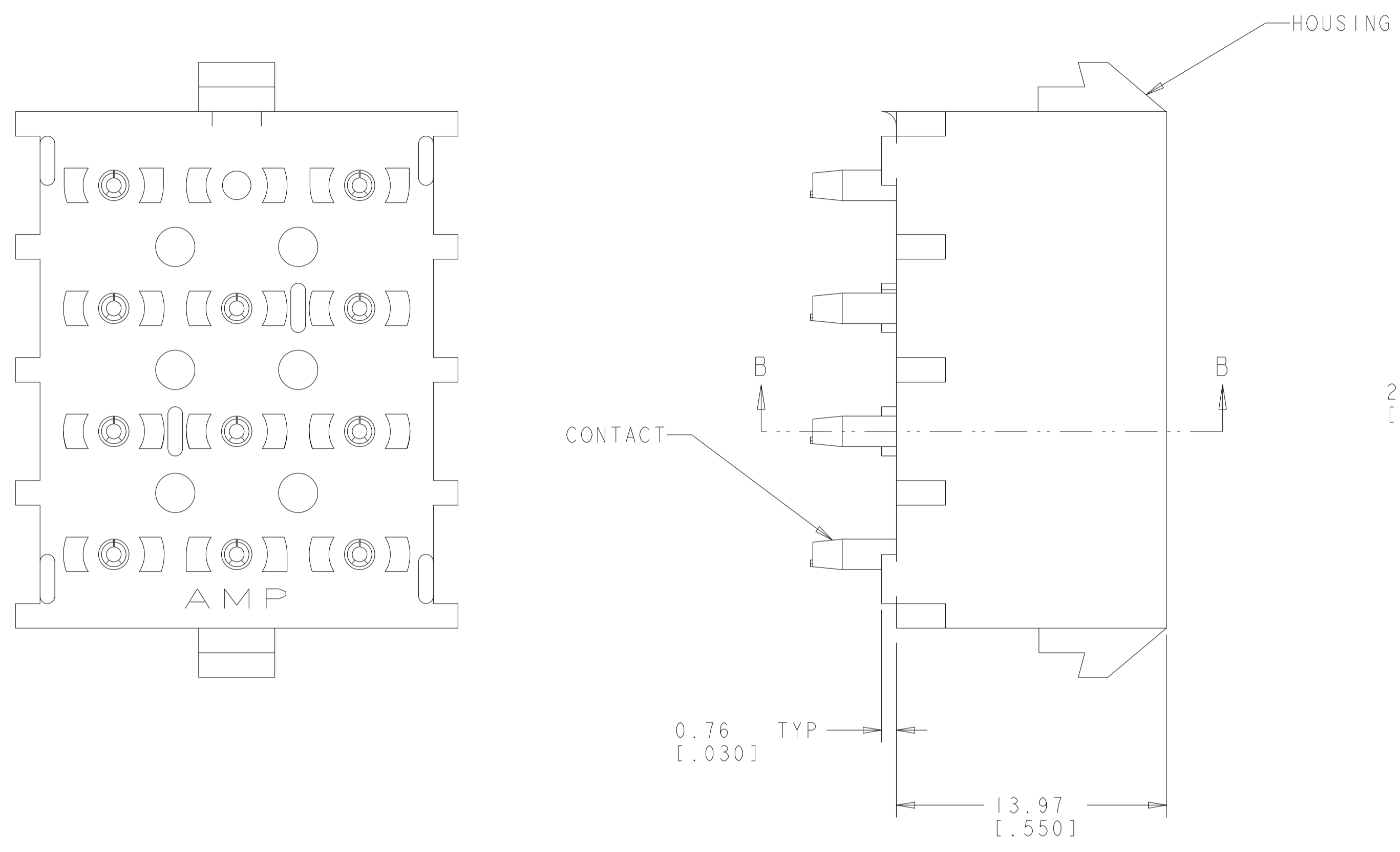
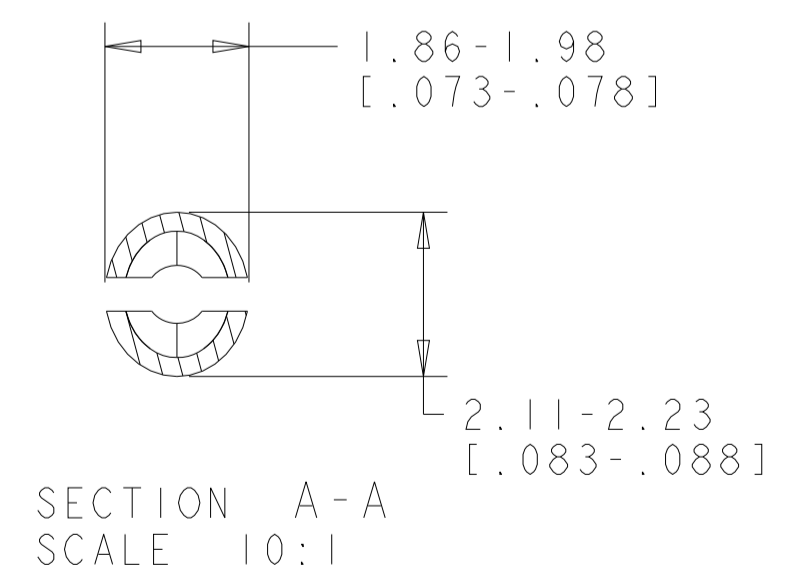
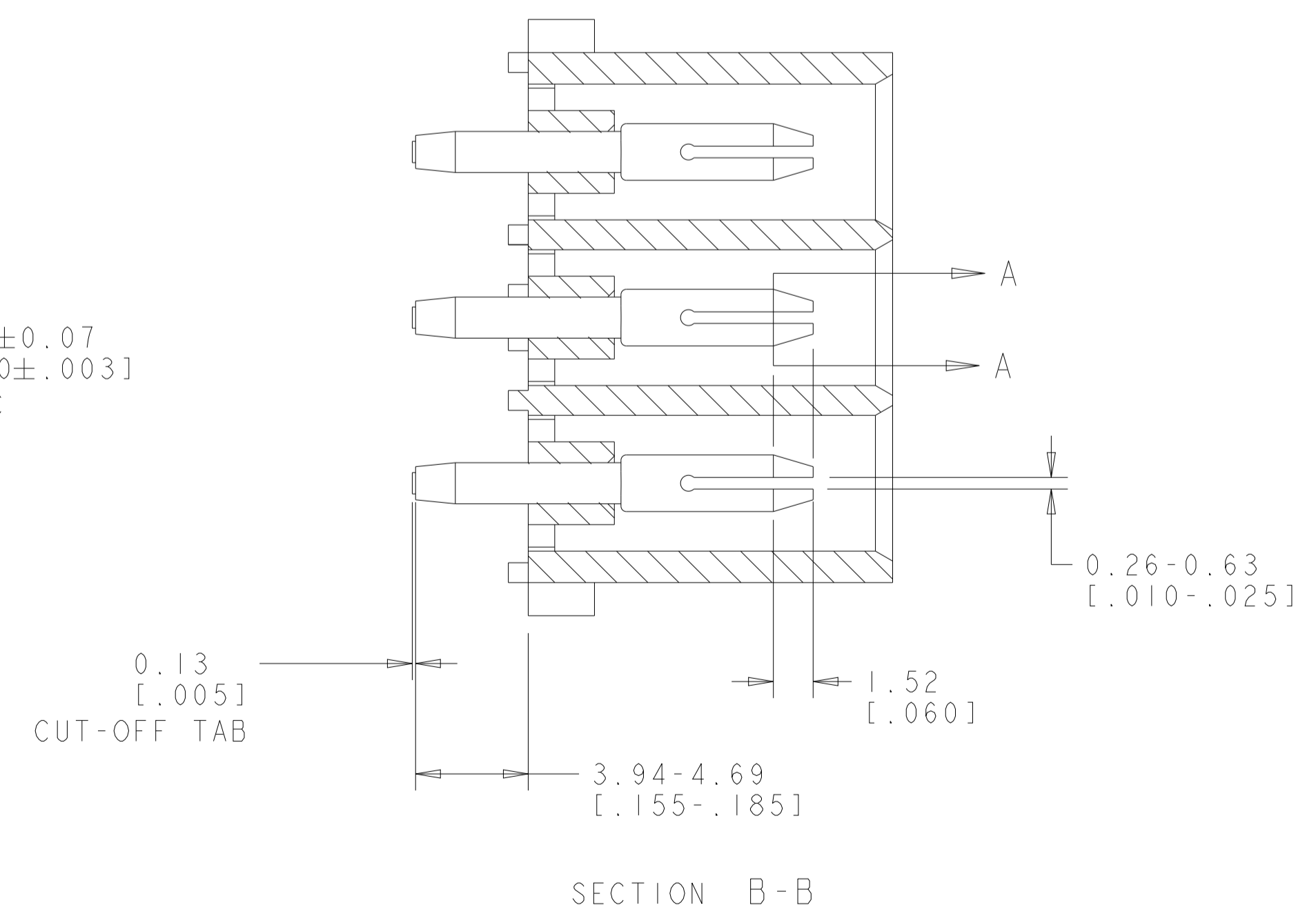
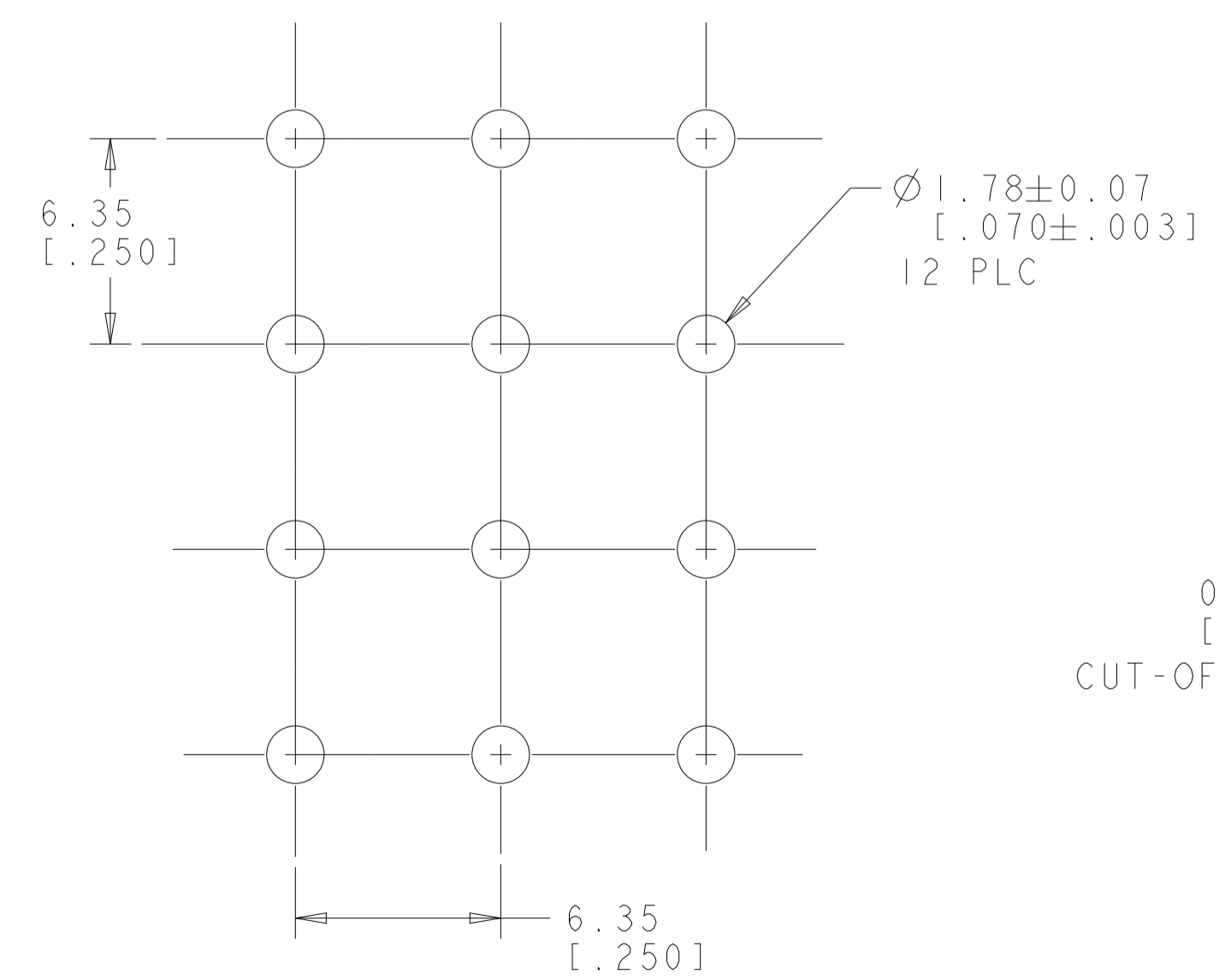


LOC		DIST		REVISIONS			
P	LTN	DESCRIPTION	DATE	DWN	APVD		
A		RELEASED PER WR-05-27	04MAY05	KW	SR		
A1		REVISED PER ECR-21-119230	05NOV2021	SS	VS		

- PARTS COMPLY TO AMP SOLDERABILITY SPECIFICATION 109-11-3.
- CIRCUIT IDENTIFICATION CHARACTERS ARE ADJACENT TO THE INDICATED CAVITIES, BUT LOCATION AND ORIENTATION MAY DIFFER FROM PRINT.
- DIMENSIONS IN BRACKETS ARE IN INCHES.
- DIMENSIONS SHOWN REPRESENT PRODUCT IN DRY CONDITION. ADDITIONAL 2% GROWTH DUE TO END USE LOCATION MOISTURE ABSORPTION MAY OCCUR AND SHOULD BE ACCOUNTED FOR.

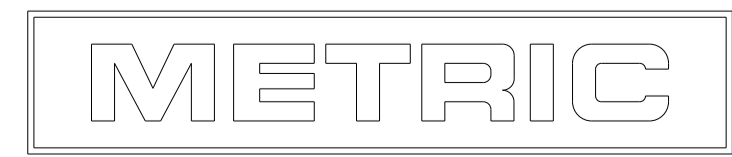


1586681-2 SHOWN



PIN NO OMITTED	PIN CONTACT MATERIAL AND FINISH	HOUSING MATERIAL AND COLOR	PART NUMBER
12	PHOSPOR BRONZE, PRE-TIN	NYLON, UL94V-0, WHITE	1-1586681-2
8	PHOSPOR BRONZE, PRE-TIN	NYLON, UL94V-0, WHITE	1586681-8
4	PHOSPOR BRONZE, PRE-TIN	NYLON, UL94V-0, WHITE	1586681-4
2	PHOSPOR BRONZE, PRE-TIN	NYLON, UL94V-0, WHITE	1586681-2

RECOMMENDED MOUNTING HOLE PATTERN FOR 1.57 [.062] THICK P.C. BOARD HOLE THAT CORRESPONDS TO REMOVED CONTACT CAN BE OMITTED



DIMENSIONS: mm [INCHES] TOLERANCES UNLESS OTHERWISE SPECIFIED: 0 PLC ±. 1 PLC ±. 2 PLC ±0.13 [.005] 3 PLC ±. 4 PLC ±. ANGLES ±0°30'		DWN: K. WHITAKER 04MAY2005 CHK: S. RIDGILL 04MAY2005 APVD: S. RIDGILL 04MAY2005 PRODUCT SPEC: APPLICATION SPEC: WEIGHT: - CUSTOMER DRAWING		Tyco Electronics Harrisburg, PA 17105-3608 NAME: PIN HEADER ASSEMBLY, 12 CIRCUIT, SELECTIVELY LOADED, UNIVERSAL MATE-N-LOK(TM) SIZE: A1 CAGE CODE: 00779 DRAWING NO: 1586681 SCALE: 5:1 SHEET: 1 OF 1 REV: A1	
--	--	--	--	---	--