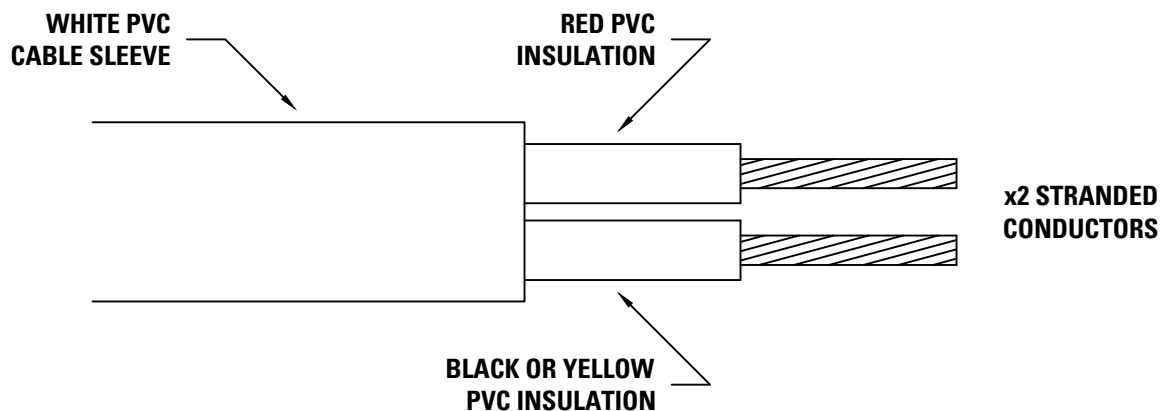


GPT Marine Duplex Hook Up Wire from Remington Industries consists of two separate GPTM wires wrapped in a flat PVC jacket for convenience and protection. It is used in a variety of marine power circuit and control applications. Stranded copper wire provides good electrical connectivity while PVC insulation protects the wire against abrasion, chemicals, oils, fuels, and solvents. The wire conforms to UL and SAE J1128 specifications, as well as USCG requirements, and provides excellent uniformity for easy processing, stripping, and terminating. This flat boat cable is available in three wire gauges (14/2, 16/2, & 18/2 AWG) to meet your specific requirements. It is also available in red & black or red & yellow colors, as well as three different spool sizes (see below) for your convenience.

- Conductor Material: Tinned Copper
- Wire Insulation: PVC (0.030" Thick)
- Cable Sleeve: PVC (0.030" Thick)
- Type: UL1426 GPTM Hook Up Wire, Stranded
- Temperature Rating: 75°C (167°F) Wet / 105°C (221°F) Dry
- Colors Available: White Sleeve with Red & Black Wires, or White Sleeve with Red & Yellow Wires
- Spool Sizes Available: 25 ft, 100 ft, 250 ft



PART NUMBER	WIRE GAUGE	STRANDING	CONDUCTOR DIAMETER	WIRE OVERALL DIAMETER	CABLE OVERALL DIMENSIONS
14DBC	14 AWG	41/30	0.0641" (x2)	0.117" (x2)	0.215" x 0.350"
16DBC	16 AWG	26/30	0.0508" (x2)	0.103" (x2)	0.192" x 0.311"
18DBC	18 AWG	16/30	0.0403" (x2)	0.092" (x2)	0.180" x 0.280"

Marine Duplex Boat Cable (GPTM) Stranded Data Sheet

Remington Industries is proud to offer our Custom Wire Services

Our exclusive inventory of in-stock wire and ability to procure wire of all kinds makes us the perfect partner for wire purchasing and custom wire services. We are proud to provide essential, high quality wire for engineering projects, educational science projects, coil winding, and electronics applications.

Some of our many wire services include the following:

- Wire Re-Packaging
- Bifilar & Trifilar Windings
- Wire Processing
- Coil Winding
- Wire Procurement Services

If you have any questions or need any information about our [Wire Services](#), feel free to contact us! It only takes one call to get experienced assistance.

Contact us by phone:
(815) 385-1987

Contact us by email:
sales@remingtonindustries.com

DATE | ISS. | REVISION | BY

Drawn by: AG 1/30/20
Drawing rev.: --

Remington
Industries

3521 N. Chapel Hill Rd
Johnsburg, IL 60051 USA
remingtonindustries.com